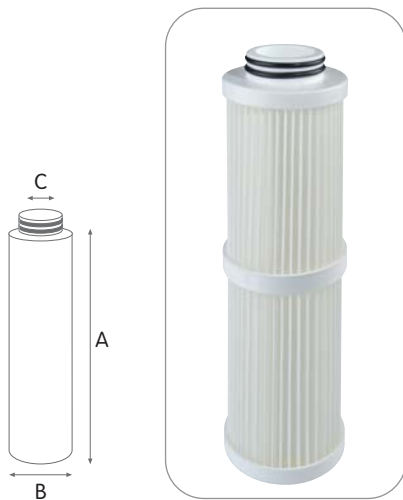
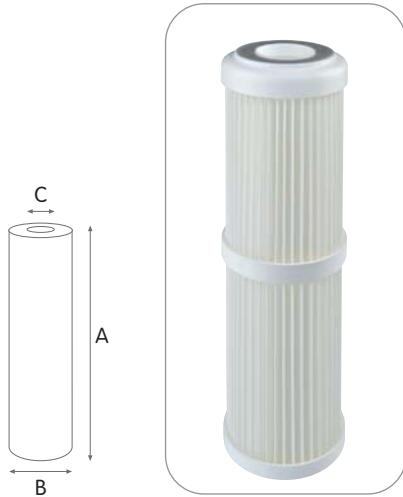




# TS pleated polyester net

**Sediment filtration.**  
**Average life-span:** about 24 months.  
**Maintenance:** wash every 3 months.



TS cartridges are available in a variety of:

**CONFIGURATIONS:**

- SX standard configuration double open end (DOE) available for every height and diameter.
- BX proprietary configuration with double o-ring collar 45 mm, suitable to PLUS 3P BX housings, DP housings, K DP housings.
- CX proprietary configuration with double o-ring collar 57 mm, suitable to PLUS 3P CX, K DP housings.

**MODELS:**

- TS MIGNON series 5”M OD 1.77” ID 0.71”, SX configuration.
- TS series from 4” to 20” OD 2.40” ID 1.10”, SX, BX, CX configurations.

**CERTIFICATIONS**



TS cartridges are tested and certified under the most stringent procedures worldwide, in compliance with **DM 25 (Italy) and EAC (Russia)**.

**WORKING CONDITIONS**

Max working temperature \_\_\_\_\_ 45°C (113°F)  
 Min working temperature \_\_\_\_\_ 4°C (39,2°F)

**SPECIFICATIONS**

Non-toxic materials, suitable for drinking water.  
 Filter medium: polyester fabric.  
 Inner core and end caps: polypropylene.  
 Flat seals SX: SEBS with antimicrobial technology.  
 O-rings BX and CX: EPDM.

Washable cartridges made of pleated fabric with large filtering surface, long service time, high water flow and low pressure drop, filtration at 50 micron. Height from 4” to 20”.

**TS SX**

**PLEATED POLYESTER NET WITH DOUBLE OPEN END (DOE)**

CODE	MODEL	NOMINAL HEIGHT	NOMINAL FILTRATION MICRON	RECOMMENDED FLOW RATE l/h	DIMENSIONS MM		
					A	B	C
<b>OD 1,77” x ID 0,71”</b>							
RA5040114	TS MIGNON SX 50 mcr	5” M	50	800	122	50	20
<b>OD 2,40” x ID 1,10”</b>							
RA5041114	TS 4 SX 50 mcr	4”	50	1000	101	70	30
RA5042114	TS 5 SX 50 mcr	5”	50	1200	125	70	30
RA5044114	TS 7 SX 50 mcr	7”	50	1700	173	70	30
RA5045114	TS 10 SX 50 mcr	10”	50	2500	250	70	30
RA5047114	TS 20 SX 50 mcr	20”	50	4000	505	70	30

**TS BX**

**PLEATED POLYESTER NET WITH DOUBLE O RING COLLAR 45 MM**

CODE	MODEL	NOMINAL HEIGHT	NOMINAL FILTRATION MICRON	RECOMMENDED FLOW RATE l/h	DIMENSIONS MM		
					A	B	C
<b>OD 2,40” x ID 1,10”</b>							
RA5042214	TS 5 BX 50 mcr	5”	50	1200	125	70	30
RA5044214	TS 7 BX 50 mcr	7”	50	1700	173	70	30
RA5045214	TS 10 BX 50 mcr	10”	50	2500	250	70	30
RA5047214	TS 20 BX 50 mcr	20”	50	4000	505	70	30

**TS CX**

**PLEATED POLYESTER NET WITH DOUBLE O RING COLLAR 57 MM**

CODE	MODEL	NOMINAL HEIGHT	NOMINAL FILTRATION MICRON	RECOMMENDED FLOW RATE l/h	DIMENSIONS MM		
					A	B	C
<b>OD 2,40” x ID 1,10”</b>							
RA5045314	TS 10 CX 50 mcr	10”	50	2500	250	70	40
RA5047314	TS 20 CX 50 mcr	20”	50	4000	505	70	40

**FLOW RATE vs PRESSURE DROP Δp**

Tests carried on 10” elements type **TS 10 SX**.  
 Testing mode: 20°C, 3 BAR

