



XH SPARE PARTS



CONVEYOR AND PALLET HANDLING SYSTEMS

Content

End drive unit XUEB L/R (24V)	1
Spare parts End drive unit-XH	3
End drive unit, type J.....	7
End drive unit, direct drive / direct drive guided.....	9
End drive unit, overhead motor	11
End drive unit, guided.....	13
Spare parts Double drive unit - XH	17
Double drive unit (c/c 106 mm)	18
Double drive unit	20
Double drive unit (c/c 150-350 mm)	21
Spare parts Intermediate drive unit - XH ...	23
Spare parts Catenary drive unit - XH	27
Spare parts Horizontal bend drive unit - XH	33
Spare parts Idler end unit - XH	37
Spare parts XHEB # HNLP/HNRP	39
Spare parts X_BH	43
Complete wheel bend.....	43
Spare parts Slide rails - XH	45
Spare parts Chains - XH	47
Spare parts Guide rail cover - XH	49
Product designations in alphanumeric order.....	51

© Copyright FlexLink 2011

The contents of this publication are the copyright of the publishers and may not be reproduced (even extracts) unless permission is granted. Every care has been taken to ensure the accuracy of the information but no liability can be accepted for any errors or omissions. The right is reserved to make design modifications.

Patents

Essential parts of the FlexLink product range are protected by patents and design regulations.

Drawings are made to European standards.

<http://www.flexlink.com>

1. How to read the catalogue: Open the catalogue and from the Table of content or the PDF navigation bar locate the group in which the part you want to find is present. Turn over to the concerned page number by a "click". Now find out the figure of the part you wish to order. Jot down the part number against that particular figure number from the text. In case, if you have the part number and you need the other details, the part index can be used. The part index (at the end of the catalogue) will give you the figure and page number of the part you wish to order.

2. How to order spare parts: The part number and the description of the part required should be invariably mentioned in the order as per the catalogue text. The latest part number as conveyed through our service circulars should only appear on the order. In case of ordering colored components, colour code of the components should be mentioned. The quantity shown against the part number is the quantity per unit for that group so that particular quantity should be multiplied by the number of sets required.

3. Abbreviations: The following abbreviations are used in this catalogue:

4. Recommended Spare parts:

Several items of the complete spare parts overview are earmarked as recommended spare parts. FlexLink advises its customers to purchase and stock these specific items for replacement in case of failure of the original item. The recommended spares are limited to only these items for which the cost of buying is in a fair relationship to the risk (i.e. probability * impact) of sudden failure. It merely consists of wear parts and some electrical and pneumatic components.

assly.	Assembly
V	Volts
N.I.	Not illustrated
W	Watt
Comp.	Complete
Fr	Front
Std.	Standard
L	Length
A/t.	Alternate
Rr	Rear
L.H.	Left hand
R.H.	Right hand
AR	As required
<i>(Part number)</i> Part number presented in "parantheses" and in Italic character style	Parts are included in a Spare parts kit.
*)	These items can only be purchased as part of a kit and when an item has an * the corresponding item always is placed between brackets (..) see above.
Recommended Spare part	Parts which are usually kept in stock and have short turnaround (See item 4)

Spare parts XUEB L/R



Technical information from FlexLink

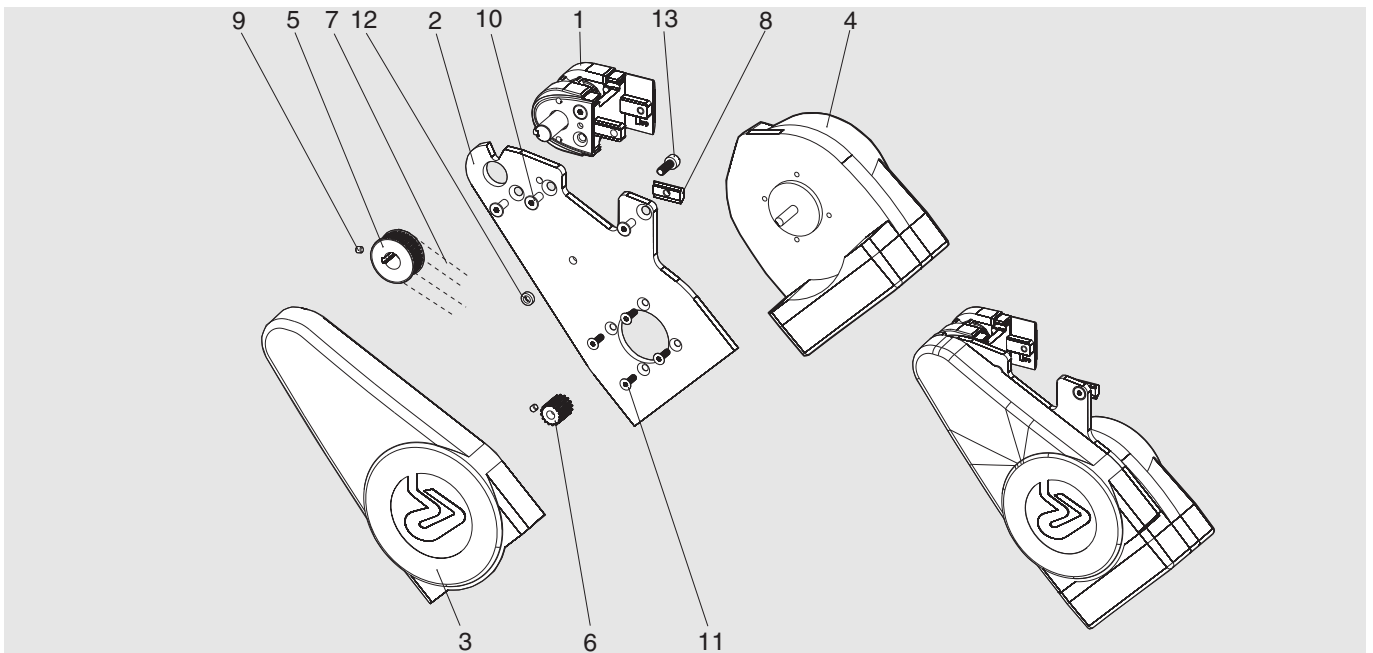
5501EN-5

End drive unit XUEB L/R (24V)

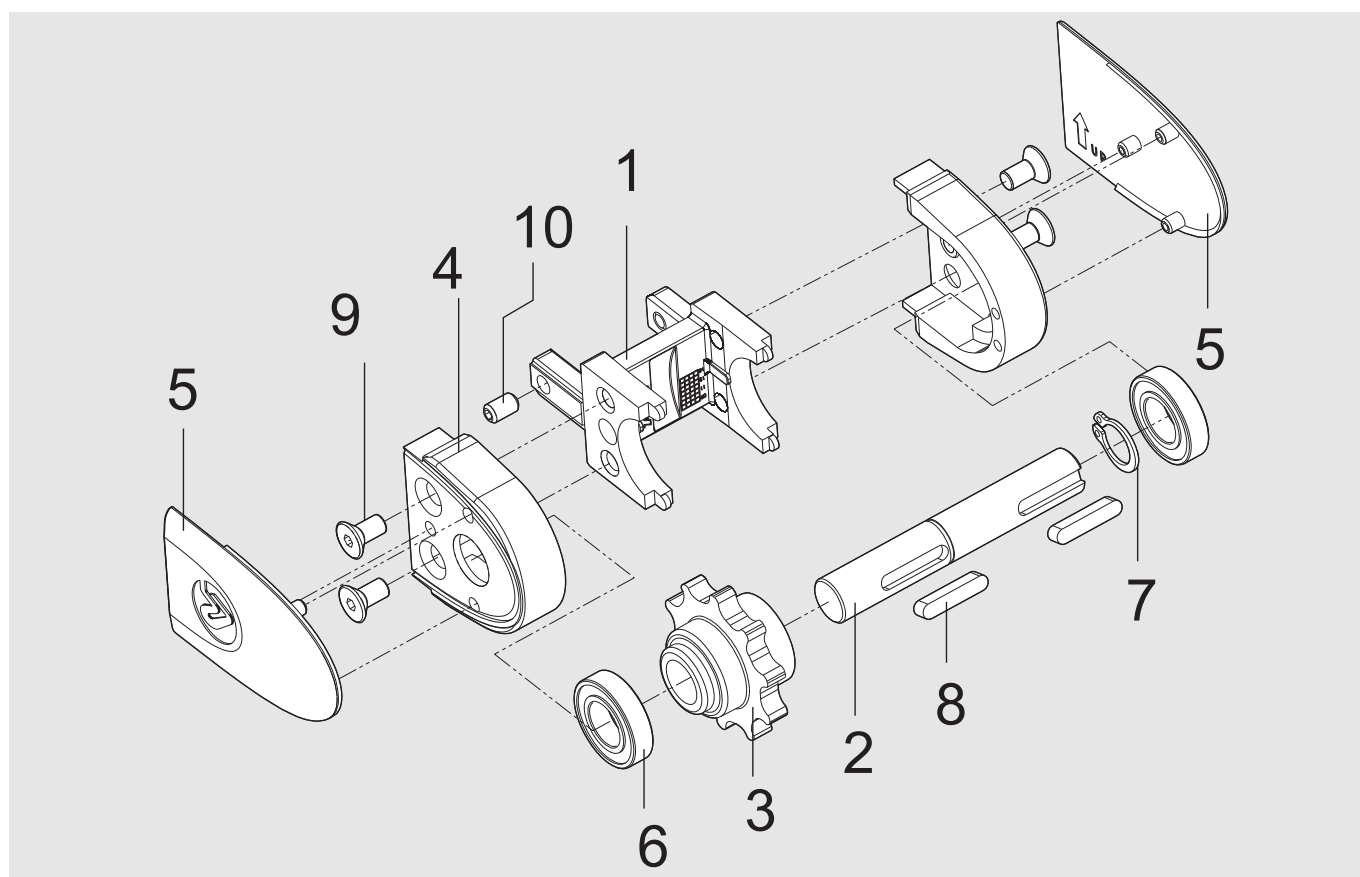
Revision list

Document designation	Date	Type of revision	Entered by
5501EN-1	10-01-18	Initial version	JE
5501EN-2	10-03-15	Item 14-15 deleted	JE
5501EN-3	10-05-03	Item 1 changed	JE
5501EN-4	10-08-31	Added new column	CB
5501EN-5	15-08-19	BOM Basic unit added	KR

Complete unit XUEB



Item	Description	Part No	Qty	Comments	Recommended Spare parts
1	Basic unit	5113189	1		
2	Motor bracket	5112462	1		
3	Transmission cover	5113184	1	Left	
3	Transmission cover	5113198	1	Right	
4	Motor	5113190	1	24 V	X
5,6	Timing belt pulley, kit	5113186	1		X
7	Timing belt	5113183	1	PGGT-3MR-360-9	X
8	Slot nut M5	XFAN 5	1		
9	Slotted set screw	5046806	2	ISO 4029 M4x4-A2K	
10	Hexagon socket c-sunk screw	5046412	3	ISO 10642 M5x12-10.9-A2K	
11	Hexagon socket c-sunk screw	5051606	4	ISO 10642 M4x12-10.9-A2K	
12	Washer	5112726	1		
13	Hexagon socket head cap screw	5044475	1	ISO 4762 M5x14-8.8-A2K	

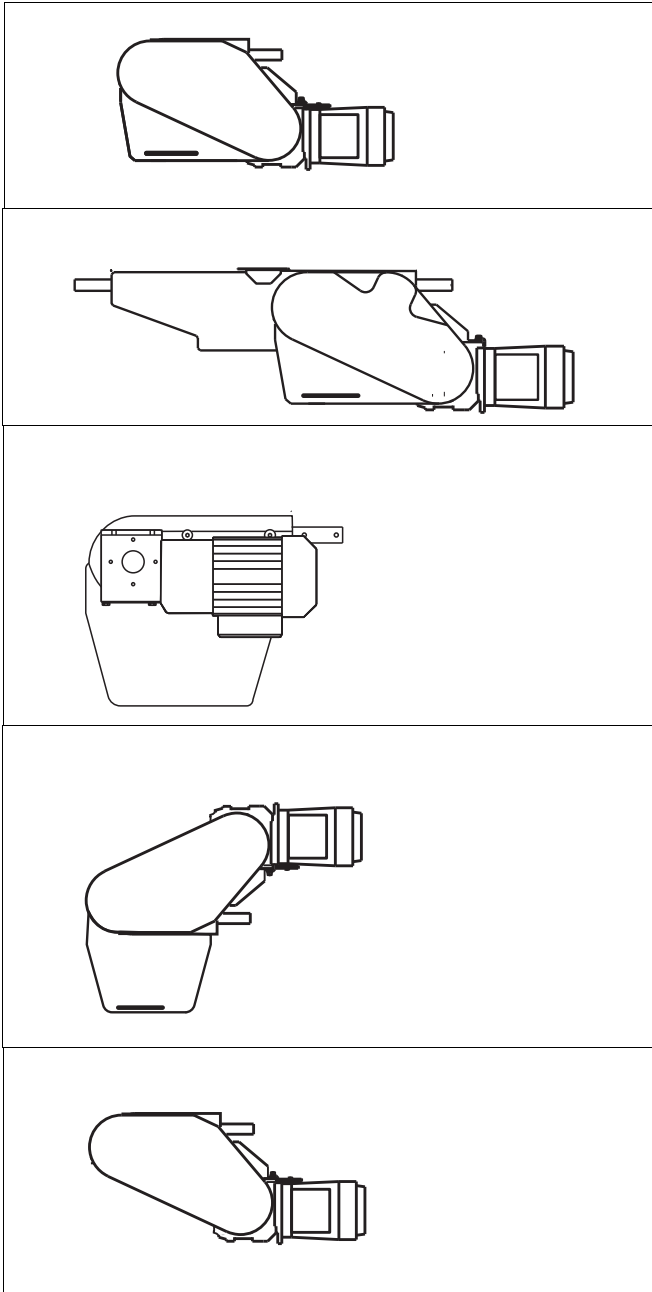
Basic unit 5113189

Item	Description	Part No	Qty	Comments	Recommended Spare parts
1	Frame	5112527	1		
2	Shaft	5112723	1		
3*	Drive wheel	(5054657)	1		
4	Guide	5112193	2		
5	Cover R	5112536	1	for XUEB R	
5	Cover L	5112552	1	for XUEB L	
6	Ball bearing	61901-2RS1	2		
7	Retaining ring	DIN 471 12St	1		
8	Wedge	DIN 6885 A h9 4x4x20	2		
9	Hexagon socket c-sunk screw	ISO 10642 M5x10-10.9-A2K	4		
10	Slotted set screw	ISO 4029 M5x8-A2K	2		
*3	Drive wheel kit	5055848	1		

<http://www.flexlink.com>

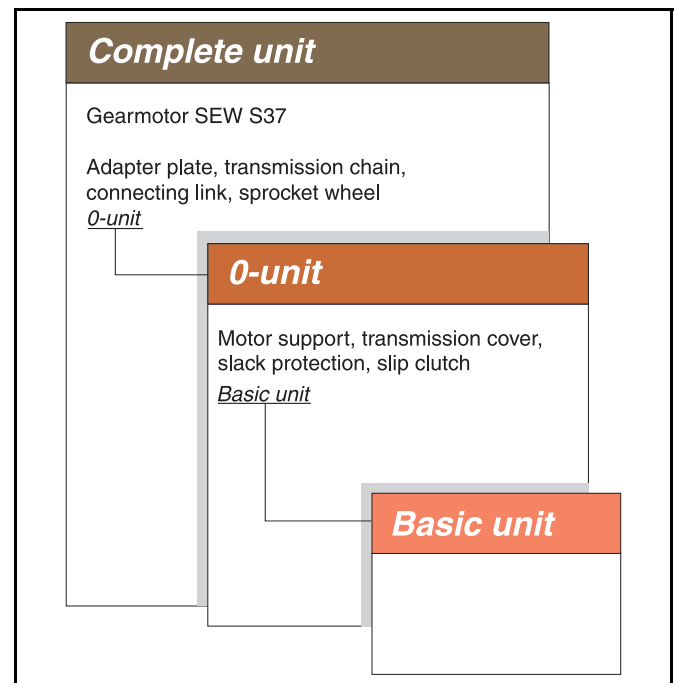


End drive unit - XH



Revision list

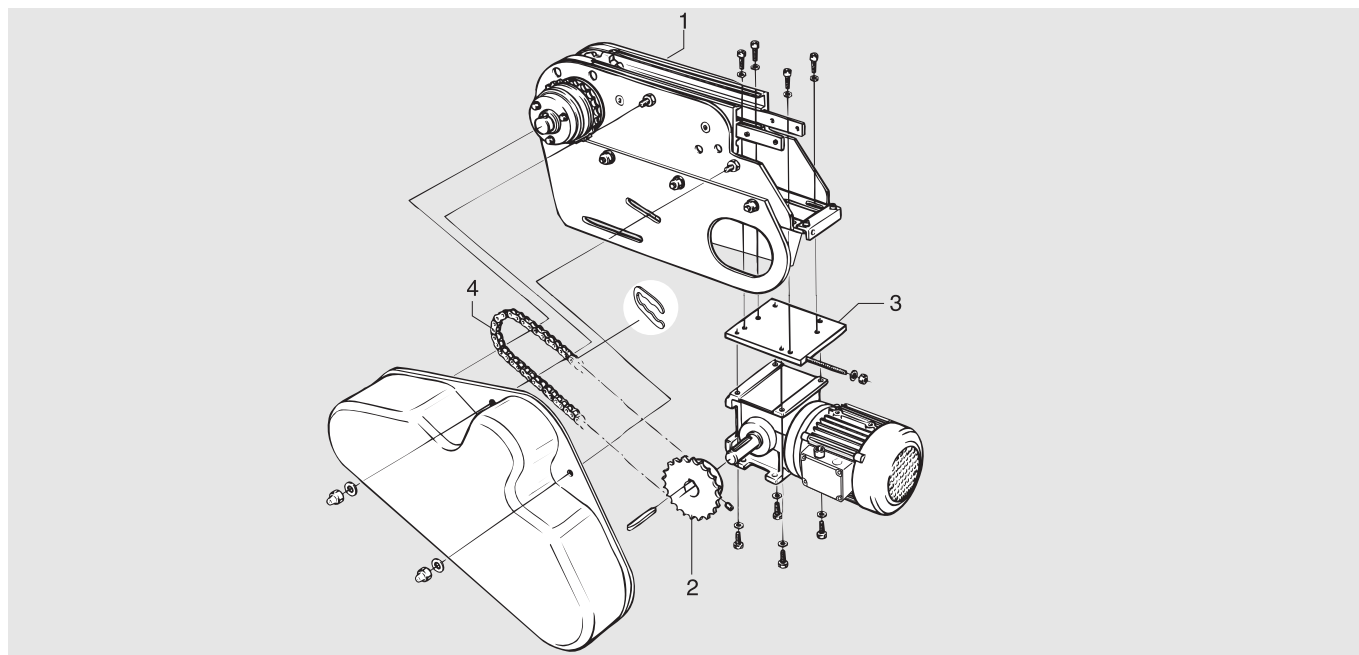
Document designation	Date	Type of revision	Entered by
XH001-E1	98-10-14	New version	Enator Inforum
XH001-E3	10-07-06	VP=>FM8 Added new column	JE



End drive unit

Complete unit – XHEB _HL/HR/HLA/HRA

For SEW S37 gearmotor



Item	Description	Part No	Qty	Comments	Recommended Spare parts
1	0-unit (left-hand version)	XHEB 0 HL/HLA	1	See next page for details	
	0-unit (right-hand version)	XHEB 0 HR/HRA	1	See next page for details	
	Motor alternative, see Drive unit guide 5014				
2	Sprocket wheel 1/2" including grub screw		1	See table below	X
3	Adapter plate including bolts and washers	3924197	1	For SEW S37 gearmotor	
	Adapter plate	3924455	1	Blind adapter plate	
4	Transmission chain 1/2" including connecting link	3921638	1	ISO/R- 1967- 08B- 1 (ISO)	X
	Transmission chain 1/2" including connecting link	5044948	1	ISO/R- 1967- 08A- 1 (ANSI)	X

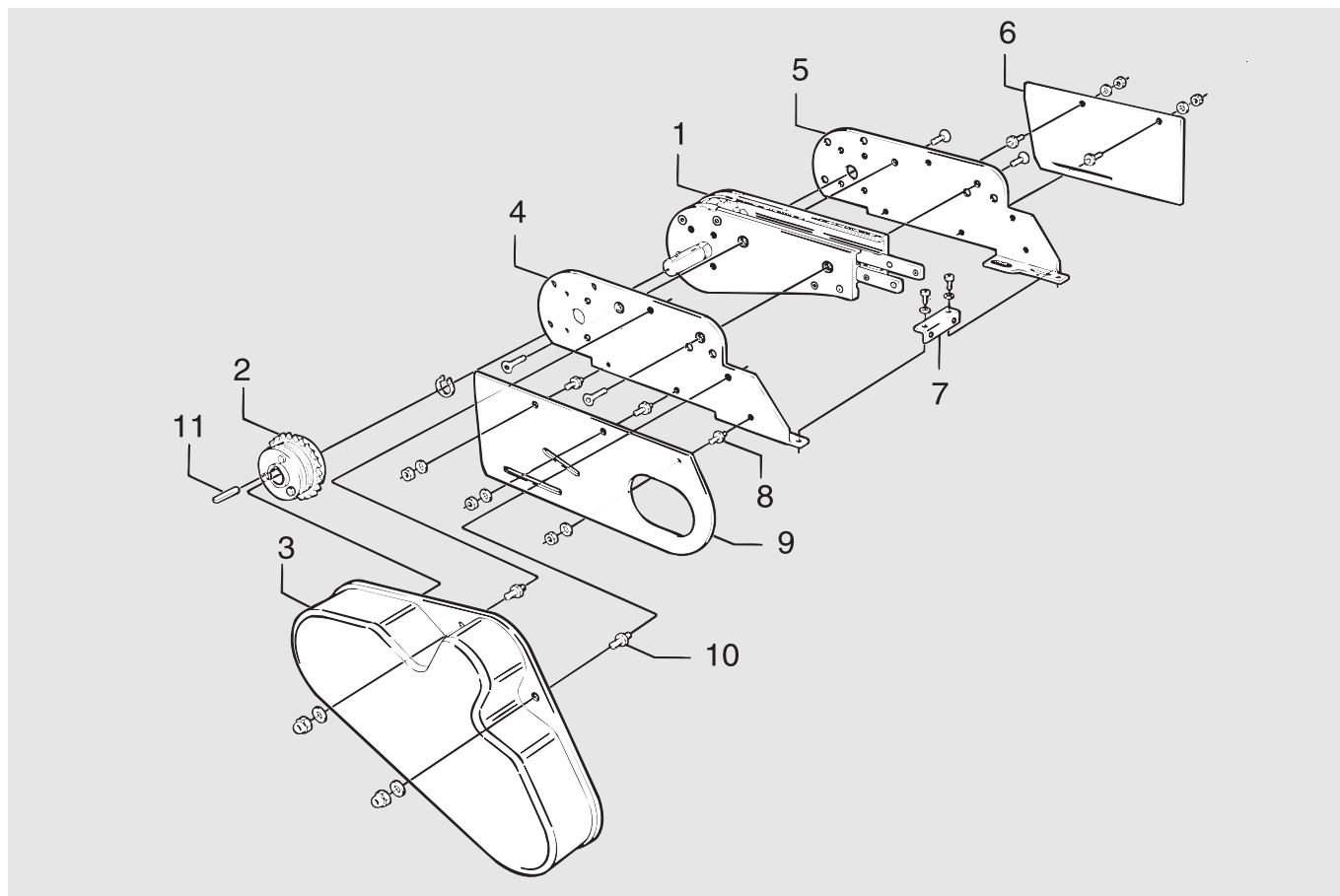
Important

Items 2-4 must be ordered separately when ordering a 0-unit (item 1). The sprocket wheel (item 2) should be specified in accordance with the following table:

Sprocket wheel 1/2"	Part No (SEW)
z ₁ =19	3924438
z ₁ =21	3924439
z ₁ =23	3924440
z ₁ =25	3921258
z ₁ =15 ANSI	5044935
z ₁ =17 ANSI	5044936
z ₁ =19 ANSI	5044937
z ₁ =21 ANSI	5044938
z ₁ =23 ANSI	5044939
z ₁ =25 ANSI	5044940

End drive unit

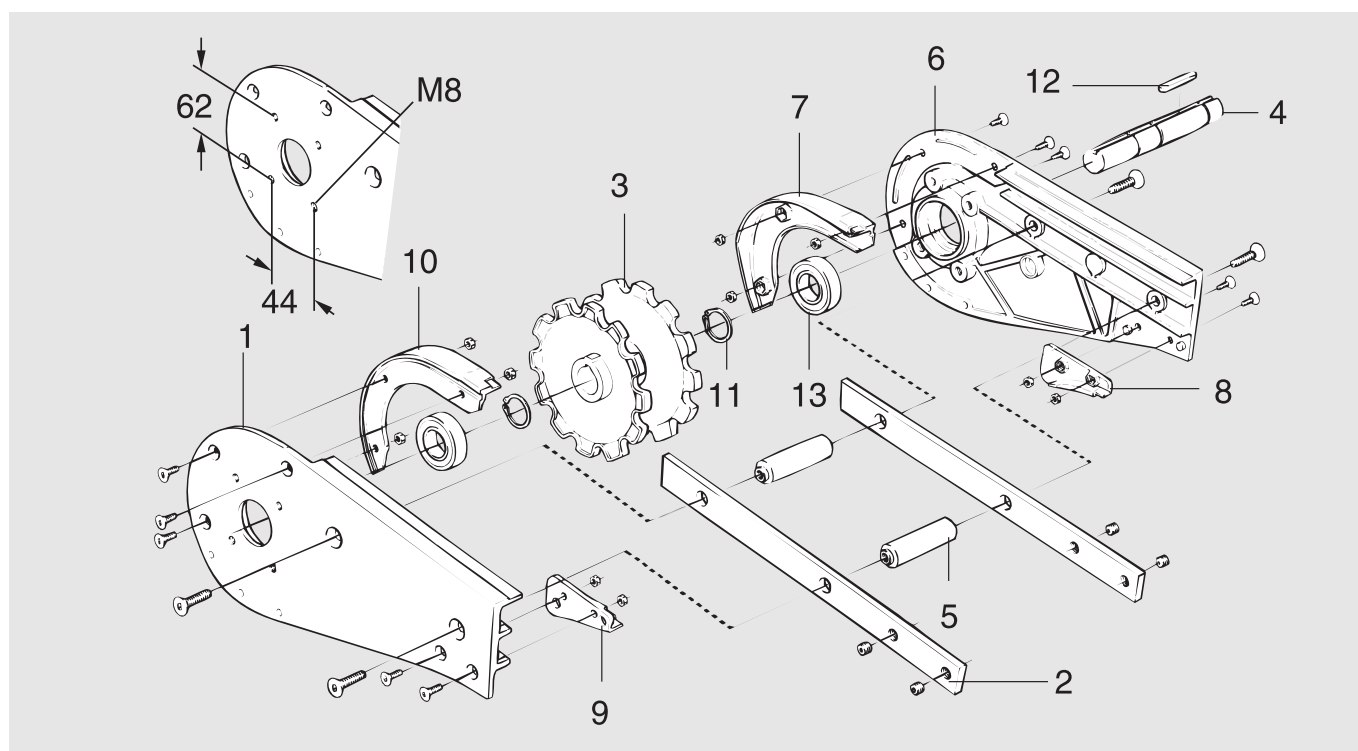
0-unit – XHEB 0 HL/HR/HLA/HRA



Item	Description	Part No	Qty	Comments	Recommended Spare parts
1	Basic unit (left-hand version)	XHEB 0 HLU	1	See next page for details	
	Basic unit (right-hand version)	XHEB 0 HRU	1	See next page for details	
2	Slip clutch $\text{\AA}25$ mm	5053981	1	ISO	
	-Slip clutch, Spare parts kit	5056817	1	ISO, incl. cup spring, ball, chain wheel.	X
	Slip clutch $\text{\AA}25$ mm	5054000	1	ANSI	
	-Slip clutch, Spare parts kit	5056820	1	ANSI, incl. cup spring, ball, chain wheel.	X
3	Transmission cover	3904431	1		
4	Motor bracket L	3904527			
5	Motor bracket R	3904528			
6*	Slack protection R	(3904665)	1	See kit below	
7	Adjusting block	3924287			
8*	Screw	(3904862)	5	See kit below	
9*	Slack protection L	(3904666)	1	See kit below	
10*	Screw	(3904855)	2	See kit below	
11	Thin parallel key	8x7-25	1	DIN 6885A h9	
*)					
6+9	Slack protection kit	5111566	1	LH+RH	
*) 8	Distance screw kit	5111600	1	Kit contains 10 pcs	
*) 10	Distance screw kit	5111599	1	Kit contains 10 pcs	

End drive unit

Basic unit – XHEB 0 HLU/HRU

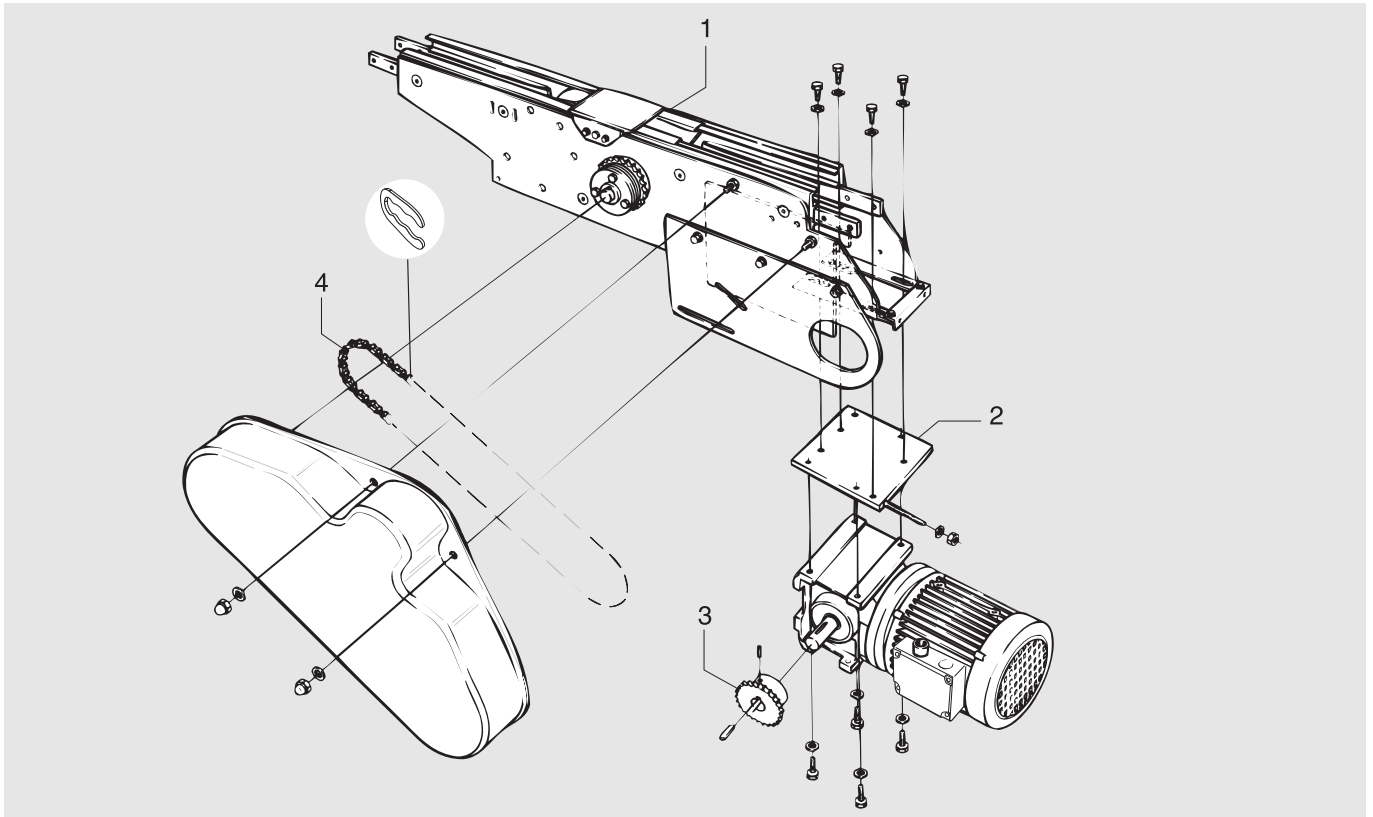


Item	Description	Part No	Qty	Comments	Recommended Spare parts
1*	Side plate L	(3904746)	1	See kit 5111628 below	
2	Connecting strip	3921123	2		
3*	Drive wheel	5111627	1	(3904299) Can also be purchased separately.	X
4*	Drive shaft	(3904403)	1	See kit 5111632 below	
5	Spacer	3904140	2		
6*	Side plate R	(3904234)	1	See kit 5111628 below	
7*	Steering guide R	(3904312)	1	See kit 5111629 below	
8*	Guide R	(3904313)	1	See kit 5111622 below	
9*	Guide L	(3904744)	1	See kit 5111622 below	
10*	Steering guide L	(3904745)	1	See kit 5111629 below	
11*	Retaining ring	(SgA 25)	3	See kit 5111632 below	
12*	Thin parallel key	(8x7-63)	1	See kit 5111632 below	
13*	Bearing	(6205 2RS1/C3)	2	See kit 5111632 below	
Kits					
*1+6	Spare parts kit, Side plate	5111628			
*3+4+1					
1+12+1	Spare parts kit, Wheel	5111632			X
3					
*7+10	Spare parts kit, Steering guide	5111629		LH+RH	X
*8+9	Spare parts kit, Guide	5111622		LH+RH	X

End drive unit, type J

Complete unit – XHEB _HLJ/HRJ/HLAJ/HRAJ

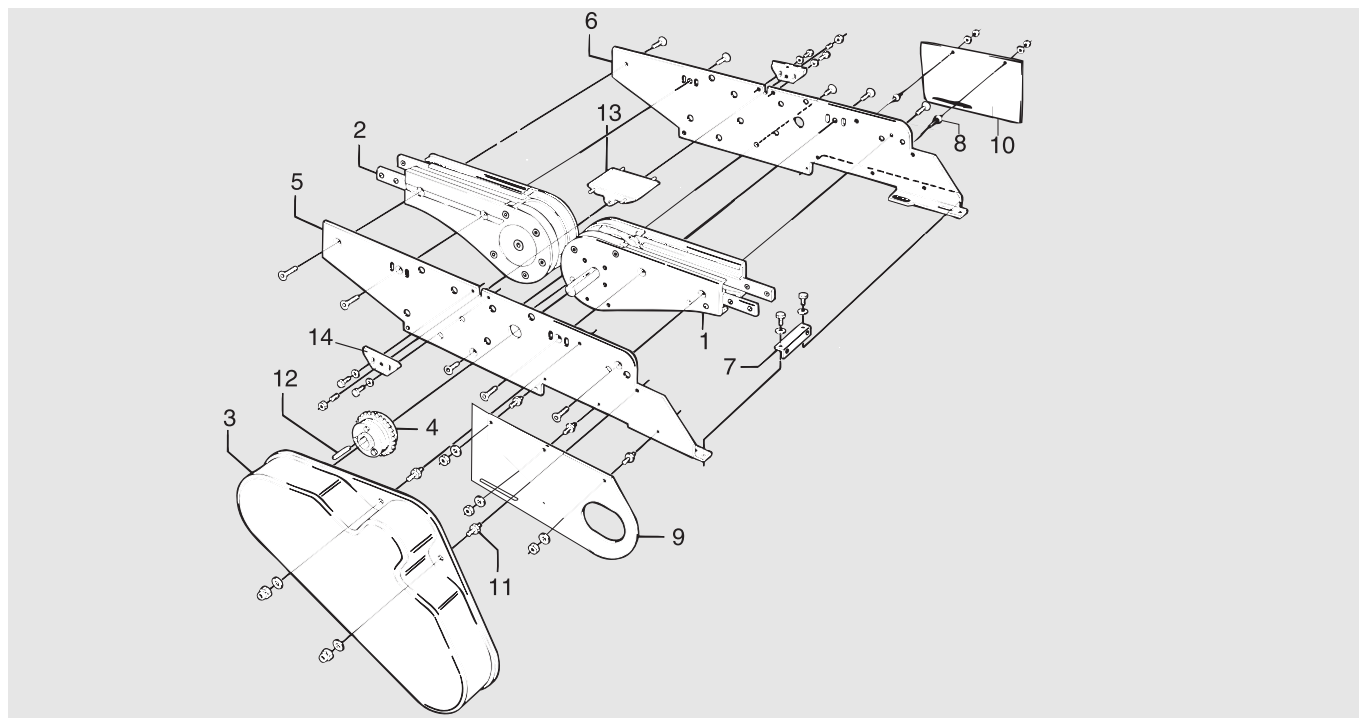
For SEW S37 gearmotor



Item	Description	Part No	Qty	Comments	Recommended Spare parts
1	0-unit (left-hand version)	XHEB 0 HLJ/HLAJ	1	See next page for details	
	0-unit (right-hand version)	XHEB 0 HRJ/HRAJ	1	See next page for details	
	Motor alternative, see Drive unit guide 5014				
2	Sprocket wheel 1/2" including grub screw		1	See page 2	X
3	Adapter plate including bolts and washers		1	See page 2	
	Adapter plate		1	See page 2	
4	Transmission chain 1/2" including connecting link		1	See page 2	X
	Transmission chain 1/2" including connecting link		1	See page 2	X

End drive unit

0-unit – XHEB 0 HLJ/HRJ/HLAJ/HRAJ

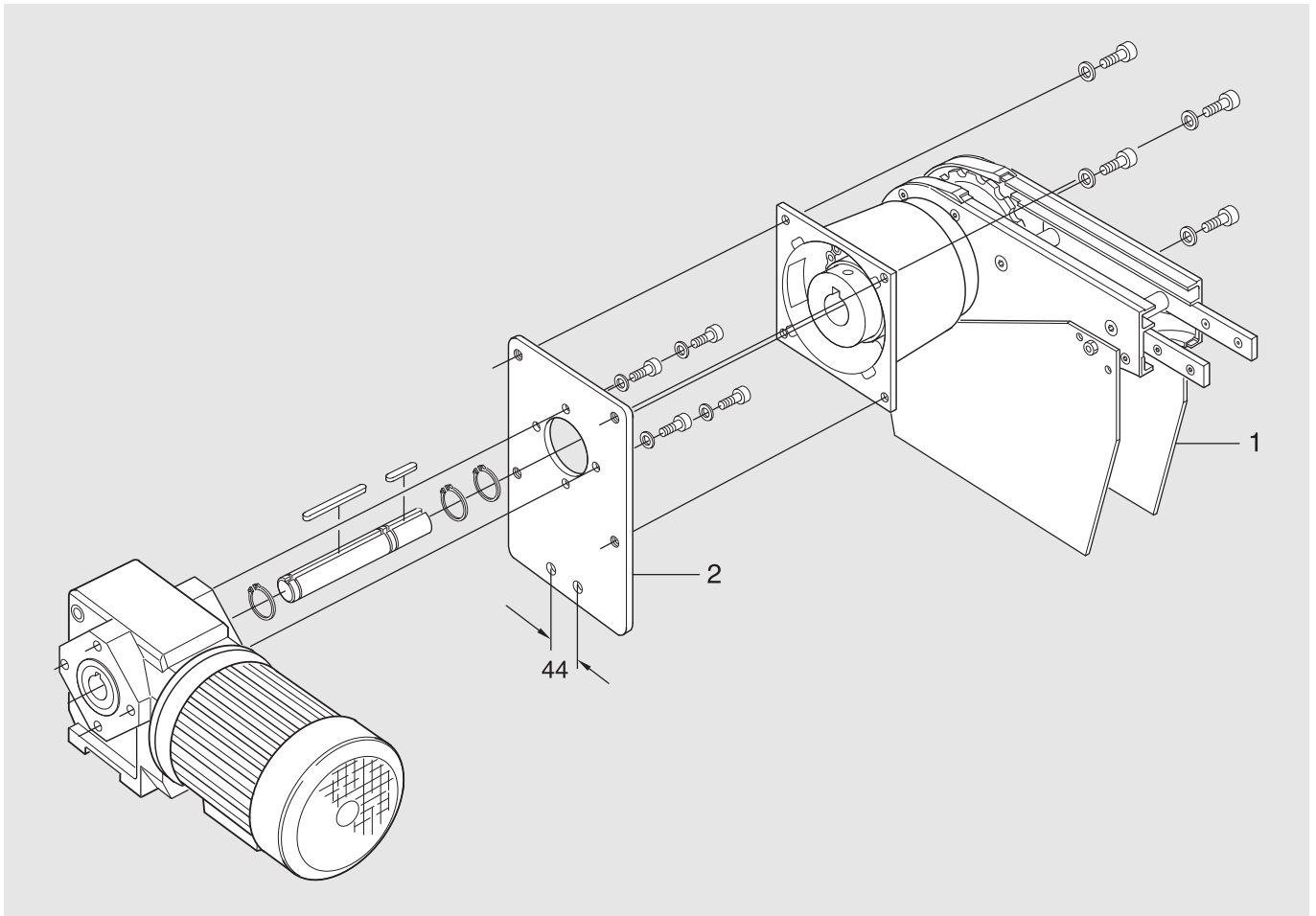


Item	Description	Part No	Qty	Comments	Recommended Spare parts
1	Basic unit (left-hand version)	XHEB 0 HLU	1	See next page 4 for details	
	Basic unit (right-hand version)	XHEB 0 HRU	1	See next page 4 for details	
2	Idler unit	XHEJ 325	1		
3	Transmission cover	3904431	1		
4	Slip clutch $\text{Æ}25$ mm	5053981	1	ISO	
	-Slip clutch, Spare parts kit	5056817	1	ISO, incl. cup spring, ball, chain wheel.	X
	Slip clutch $\text{Æ}25$ mm	5054000	1	ANSI	
	-Slip clutch, Spare parts kit	5056820	1	ANSI, incl. cup spring, ball, chain wheel.	X
5	Motor bracket L	3921463	1		
6	Motor bracket R	3921464	1		
7	Adjusting block	3924287			
8*	Screw	(3904862)	5	See kit below	
9*	Slack protection L	(3904666)	1	See kit below	
9*	Slack protection L	(3904666)	1	See kit below	
10*	Slack protection R	(3904665)	1	See kit below	
11*	Screw	(3904855)	2	See kit below	
12	Thin parallel key	8x7-25	1	DIN 6885A h9	
13	Bridge	3905610	1		
14	Adjustment plate	3905278	2		
*) 9+10	Slack protection kit	5111566	1	LH+RH	
*) 8	Distance screw kit	5111600	1	Kit contains 10 pcs	
*) 10	Distance screw kit	5111599	1	Kit contains 10 pcs	

End drive unit, direct drive / direct drive guided

Complete unit – XHEB HLP/HRP/HLGP/HRGP

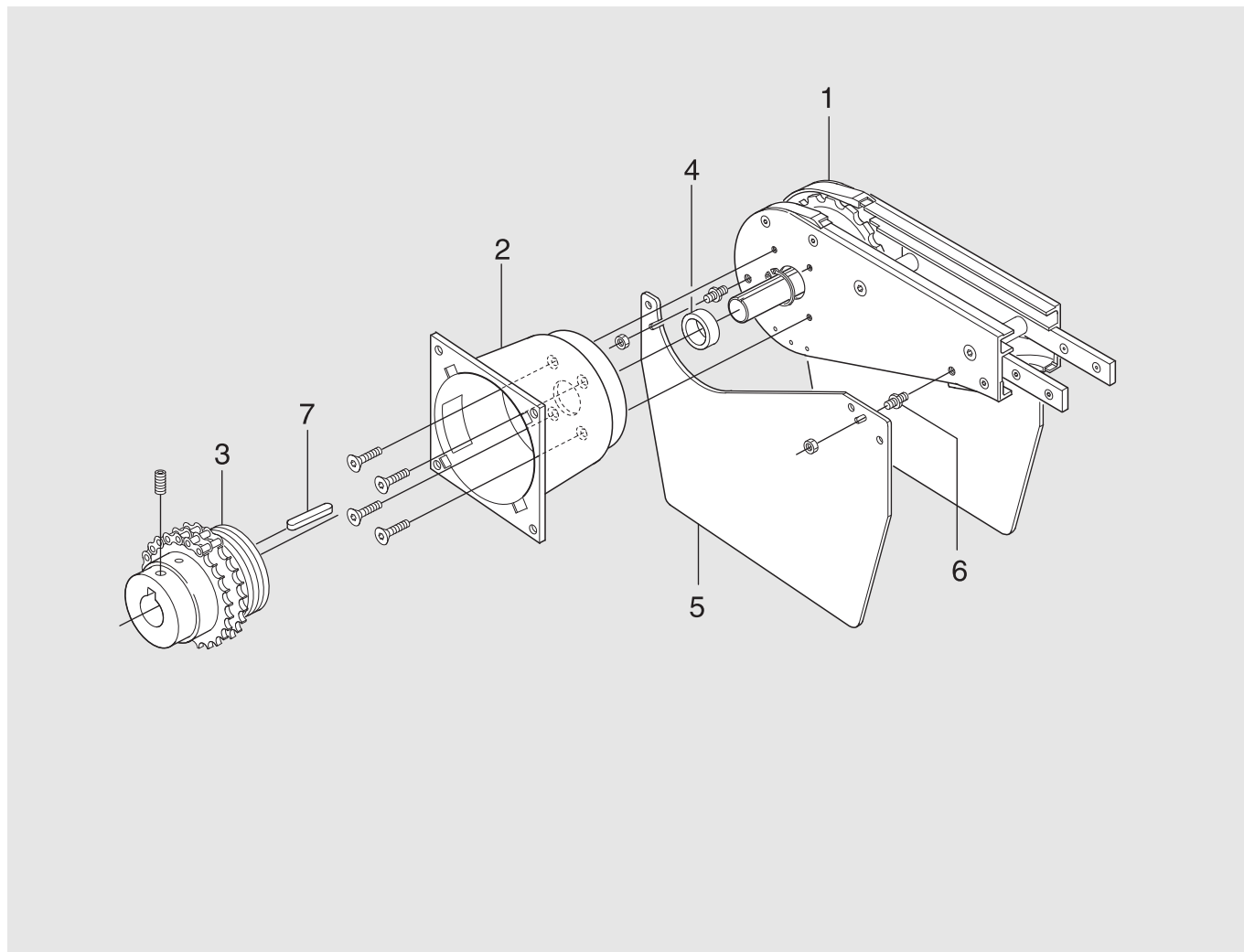
For SEW SA 37 gearmotor



Item	Description	Part No	Qty	Comments	Recommended Spare parts
1	0-unit (left-hand version)	XHEB 0 HLP/HLGP	1	See next page for details	
	0-unit (right-hand version)	XHEB 0 HRP/HRGP	1	See next page for details	
	Motor, see Drive unit guide 5014				
2	Adapter plate including bolts, washers and shaft	5117108	1	SEW SA37 gearmotor The illustration shows part no 3920088	

End drive unit, direct drive / direct drive guided

0-unit – XHEB 0 HLP/HRP/HLGP/HRGP

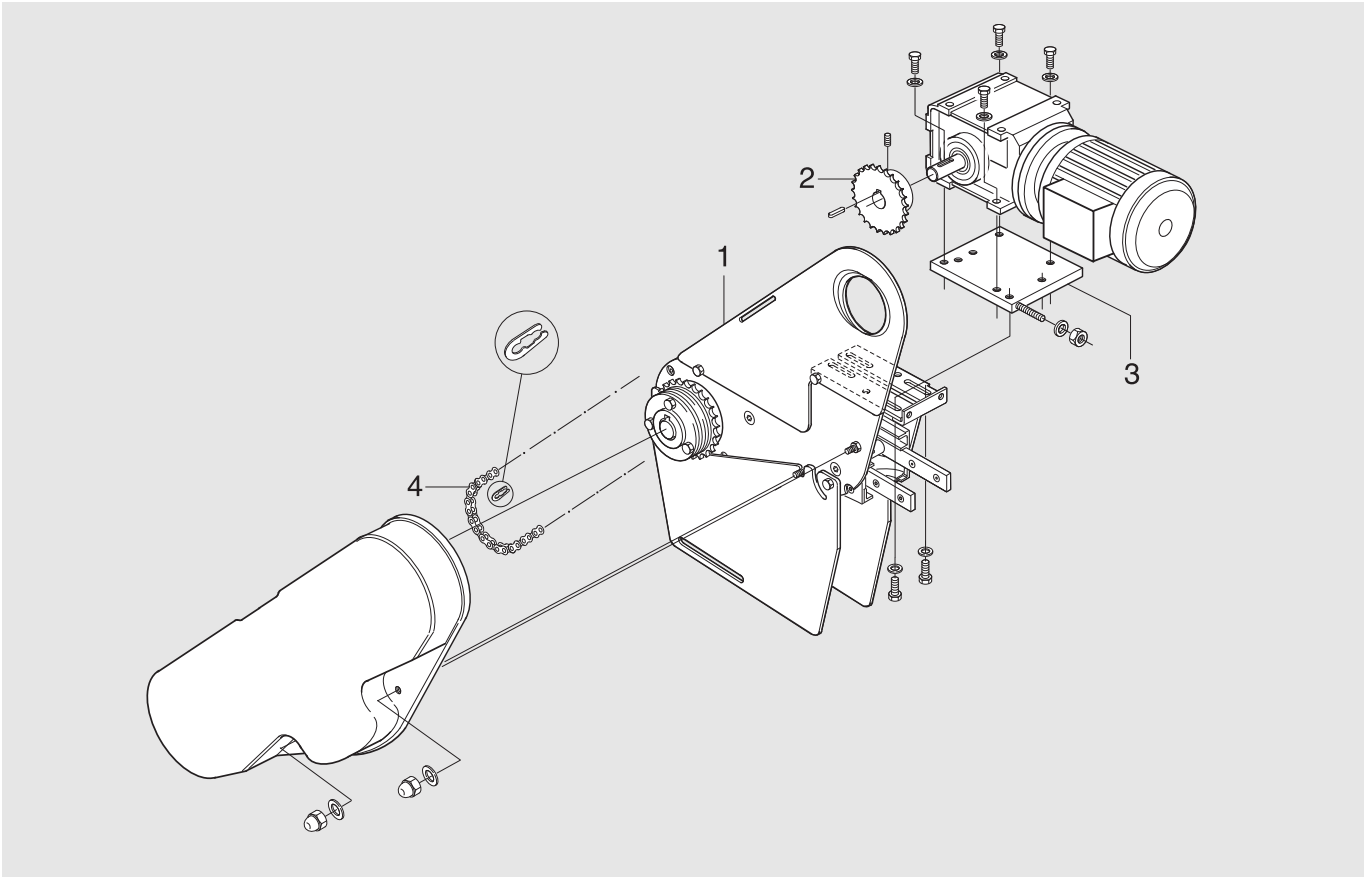


Item	Description	Part No	Qty		Comments	Recommended Spare parts
			HLP/HRP	HLGP/HRGP		
1	Basic unit (left-hand version)	XHEB 0 HLU	1	-	See page 4 for details	
	Basic unit (right-hand version)	XHEB 0 HRU	1	-	See page 4 for details	
	Basic unit (left-hand version)	XHEB 0 HLGU	-	1	See page 13 for details	
	Basic unit (right-hand version)	XHEB 0 HRGU	-	1	See page 13 for details	
2	Flange	3920084		1		
3	Slip clutch $\text{Æ}20\text{--}\text{Æ}25$ mm	5054003		1		X
4	Distance ring	3921652		1		
5*	Slack protection	(3925673)	2	-	See kit below	
6*	Screw	(3925718)	4	-	See kit below	
7	Thin parallel key	8x7-40		1	DIN 6885 A h9	
*) 5	Slack protection kit	5111581	1	-	LH+RH	
*) 6	Distance screw kit	5111598	1	-	Kit contains 10 pcs	

End drive unit, overhead motor

Complete unit – XHEH _HL/HR/HLA/HRA

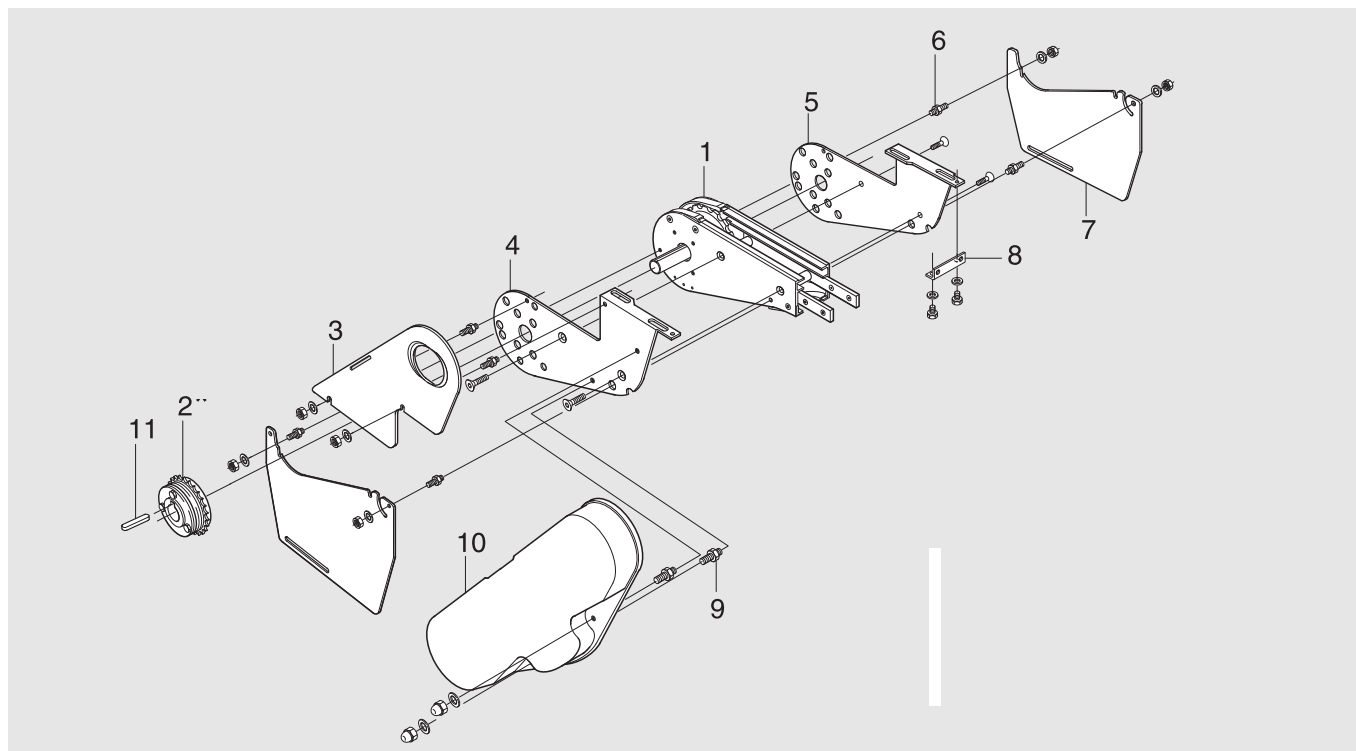
For SEW S37 gearmotor



Item	Description	Part No	Qty	Comments	Recommended Spare parts
1	0-unit (left-hand version)	XHEH 0 HL/HLA	1	See next page for details	
	0-unit (right-hand version)	XHEH 0 HR/HRA	1	See next page for details	
	Motor , see Drive unit guide 5014				
2	Sprocket wheel 1/2" including grub screw	See page 2	1		X
3	Adapter plate including bolts and washers	3924197	1	For SEW S37 gearmotor	
	Adapter plate	3924455	1	Blind adapter plate	
4	Transmission chain 1/2" including connecting link	See page 2	1		X
	Transmission chain 1/2" including connecting link	See page 2	1		X

End drive unit, overhead motor

O-unit – XHEH 0 HL/HR/HLA/HRA

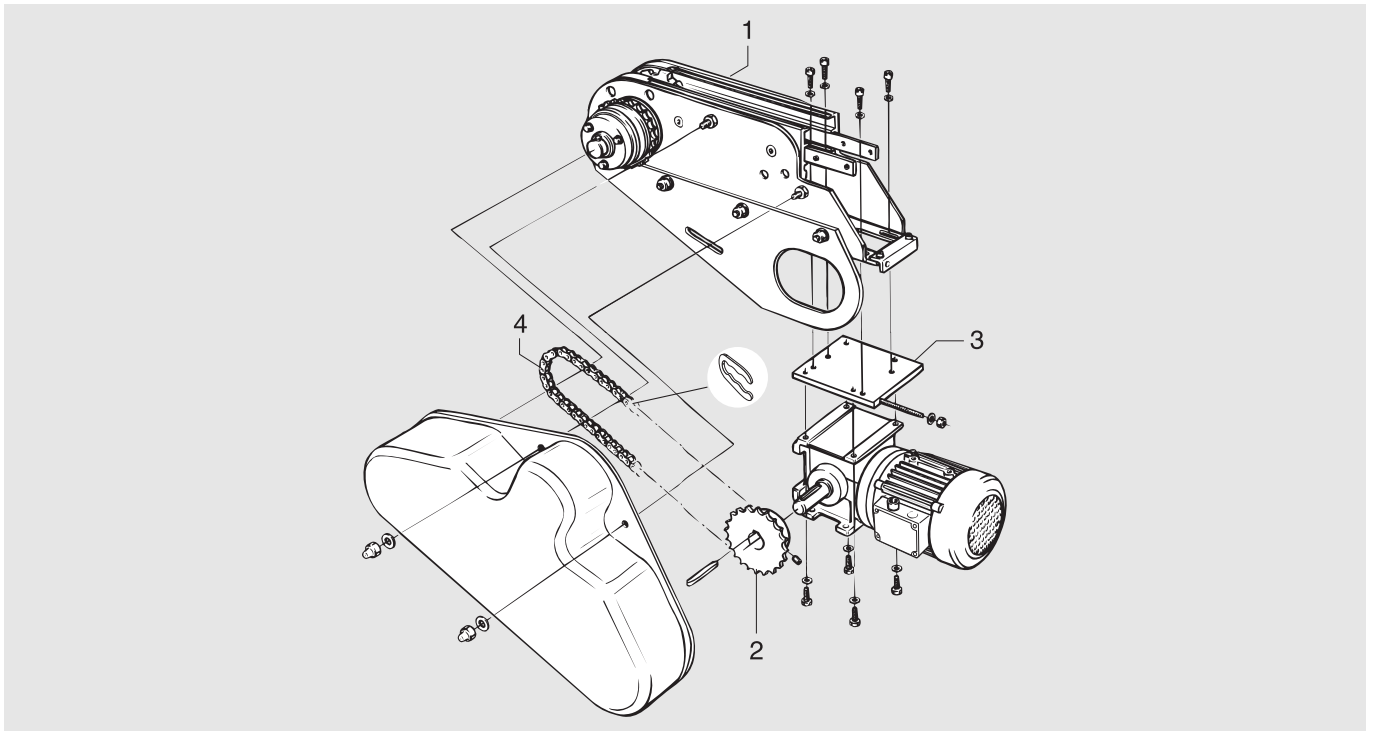


Item	Description	Part No	Qty	Comments	Recommended Spare parts
1	Basic unit (left-hand version)	XHEB 0 HLU	1	See page 4 for details	
	Basic unit (right-hand version)	XHEB 0 HRU	1	See page 4 for details	
2	Slip clutch $\text{\AA}25$ mm	5053981	1	ISO	
	-Slip clutch, Spare parts kit	5056817	1	ISO, incl. cup spring, ball, chain wheel.	X
	Slip clutch $\text{\AA}25$ mm	5054000	1	ANSI	
	-Slip clutch, Spare parts kit	5056820	1	ANSI, incl. cup spring, ball, chain wheel.	X
3	Safety guard	3920751	1		
4	Motor bracket L	3920903	1		
5	Motor bracket R	3920904	1		
6*	Screw	(3904862)	6	See kit below	
7	Slack protection	3926375	2		
8	Adjusting block	3924287	1		
9*	Screw	(3904855)	2	See kit below	
10	Transmission cover	3926374/ 3927191	1	Need to be adjusted: 3926374 Right 3927191 Left	
11	Thin parallel key	8x7-25	1	DIN 6885A h9	
*) 6	Distance screw kit	5111600	1	Kit contains 10 pcs	
*) 9	Distance screw kit	5111599	1	Kit contains 10pcs	

End drive unit, guided

Complete unit – XHEB _HLG/HRG/HLAG/HRAG

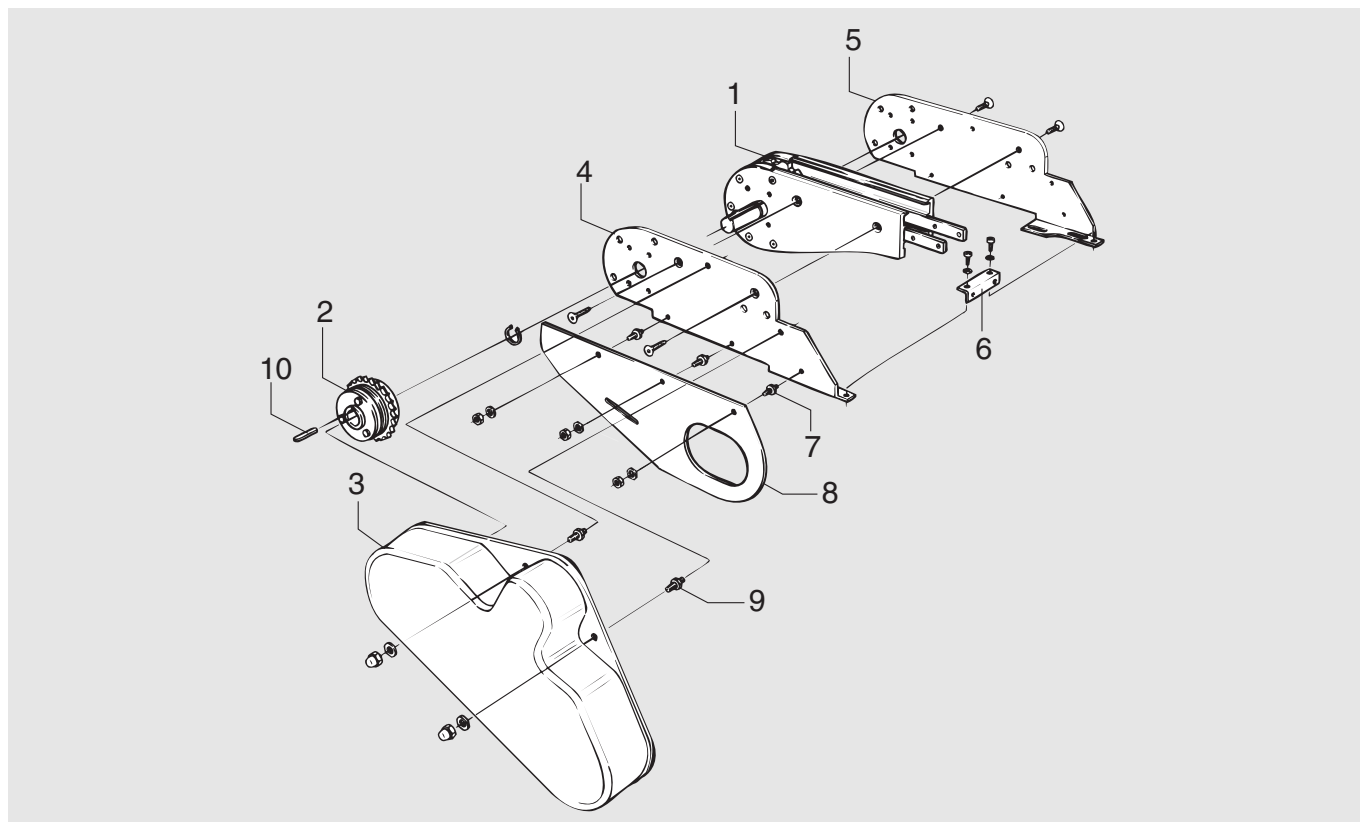
For SEW S37 gearmotor



Item	Description	Part No	Qty	Comments	Recommended Spare parts
1	0-unit (left-hand version)	XHEB 0 HLG/HLAG	1	See next page for details	
	0-unit (right-hand version)	XHEB 0 HRG/HRAG	1	See next page for details	
2	Sprocket wheel 1/2" including grub screw	See page 2	1		X
3	Adapter plate including bolts and washers	3924197	1	For SEW S37 gearmotor	
	Adapter plate	3924455	1	Blind adapter plate	
4	Transmission chain 1/2" including connecting link	See page 2	1		X
	Transmission chain 1/2" including connecting link	See page 2	1		X

End drive unit, guided

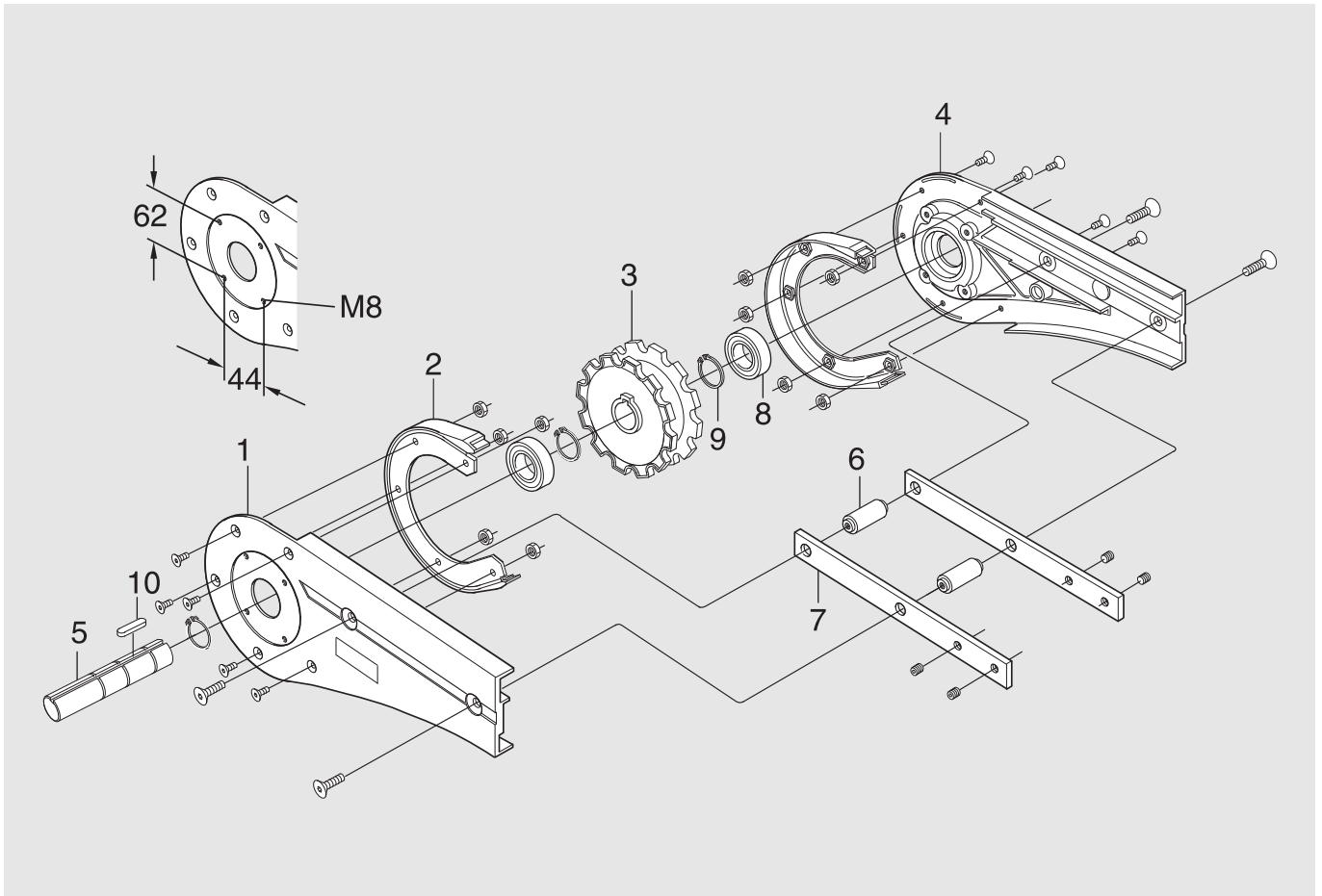
0-unit – XHEB 0 HLG/HRG/HLAG/HRAG



Item	Description	Part No	Qty	Comments	Recommended Spare parts
1	Basic unit (left-hand version)	XHEB 0 HLGU	1	See next page for details	
	Basic unit (right-hand version)	XHEB 0 HRGU	1	See next page for details	
2	Slip clutch $\text{Æ}25$ mm	5053981	1	ISO	
	-Slip clutch, Spare parts kit	5056817	1	ISO, incl. cup spring, ball, chain wheel.	X
	Slip clutch $\text{Æ}25$ mm	5054000	1	ANSI	
	-Slip clutch, Spare parts kit	5056820	1	ANSI, incl. cup spring, ball, chain wheel.	X
3	Transmission cover	3904431	1		
4	Motor bracket L	3904527	1		
5	Motor bracket R	3904528	1		
6	Adjusting block	3924287	1		
7*	Distance screw	(3904862)	3	See kit below	
8*	Slack protection	(3925875)	1	See kit below	
9*	Distance screw	(3904855)	2	See kit below	
10	Thin parallel key	8×7–25	1	DIN 6885A h9	
*)7	Distance screw kit	5111600	1	Kit contains 10 pcs	
*)8	Slack protection kit	5111608	1	LH+RH	
*)9	Distance screw kit	5111599	1	Kit contains 10 pcs	

End drive unit, guided

Basic unit – XHEB 0 HLGU/HRGU

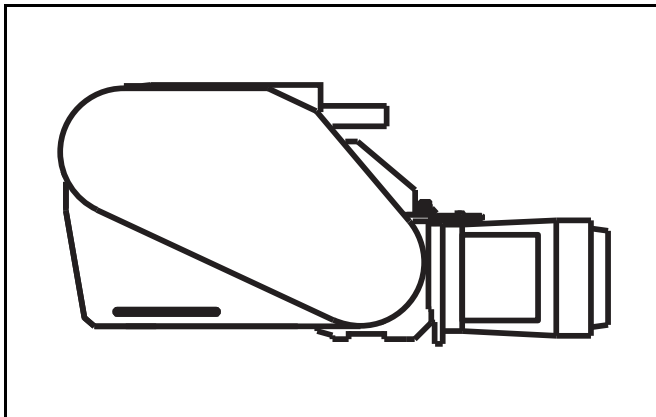


Item	Description	Part No	Qty	Comments	Recommended Spare parts
1*	Side plate L	(3921685)	1	See kit below	
2*	Steering guide	(3921164)	2	See kit below	
3*	Drive wheel	5111627	1	(3904299)	X
4*	Side plate R	(3921684)	1	See kit below	
5*	Drive shaft	(3904403)	1	See kit below	
6	Distance	3904140	2		
7	Connecting strip	3921123	2		
8*	Bearing	(6005 2RS1/C3)	2	See kit below	
9*	Retaining ring	(SgA 25 DIN 471)	3	See kit below	
10*	Thin parallel key	(8x7-63)	1	DIN 6885A h9, See kit below	
*) 1+4	Side plate kit	5111634	1	LH+RH	
*) 2	Spare parts kit Steering guide	5111626	1	LH+RH	X
*) 3+5+8+9+10	Wheel kit	5111632	1		X

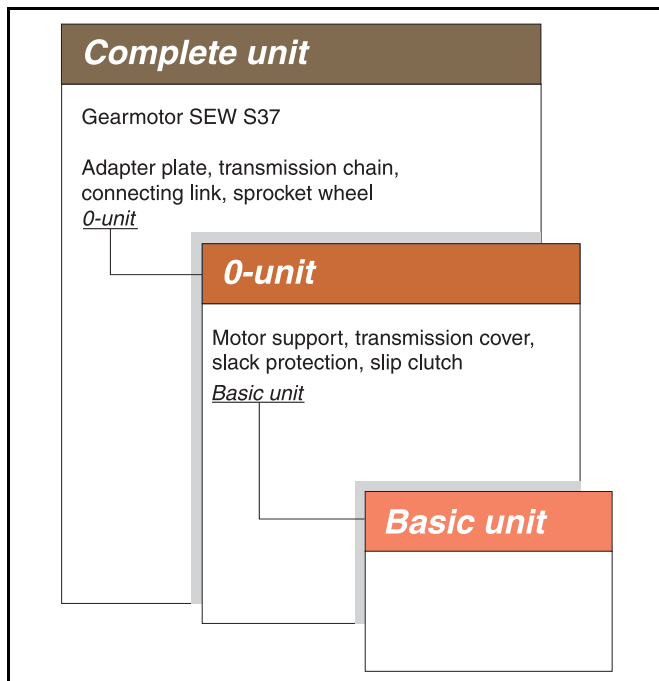


Double drive unit - XH

Revision list



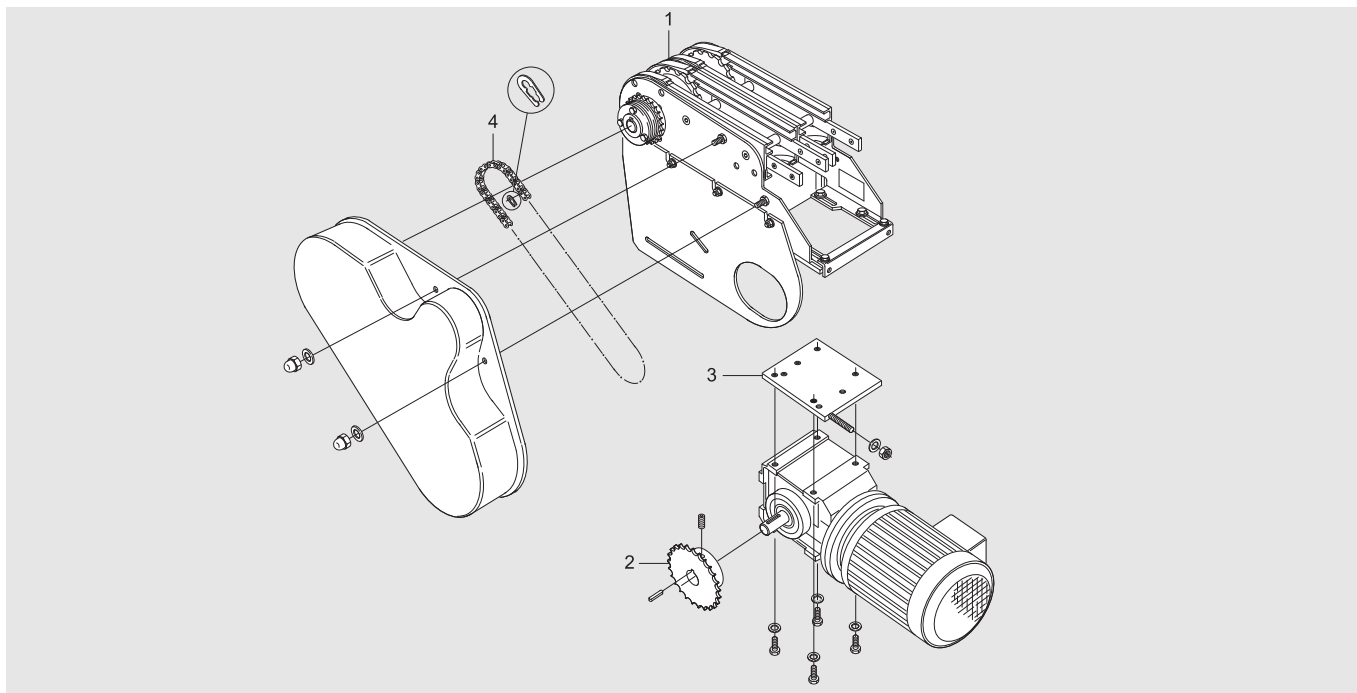
Document designation	Date	Type of revision	Entered by
XH002-E1	98-10-14	New version	Enator Inforum
XH002-E2	99-09-13	Double drive unit (c/c106 mm)	TietoEnator
XH002-E3	08-10-23	Spare part kits added	JE
XH002-E4	09-03-19		JE
XH002-E5	10-07-07	Added new column	CB



Double drive unit (c/c 106 mm)

Complete unit – XHEB _HLD/HRD/HLAD/HRAD106*

For SEW S37 gearmotor



Item	Description	Part No	Qty	Comments	Recommended Spare parts
1	0-unit (left-hand version)	XHEB 0 HLD/HLAD106	1	See next page for details	
	0-unit (right-hand version)	XHEB 0 HRD/HRAD106	1	See next page for details	
2	Sprocket wheel 1/2" including grub screw Motor alternative, see Drive unit guide 5014		1	See table below	X
3	Adapter plate including bolts and washers	3924197	1	For SEW S37 gearmotor	
	Adapter plate including bolts and washers	3924455	1	Blind plate	
4	Transmission chain 1/2" including connecting link	3921638	1	ISO/R- 1967- 08B- 1 (ISO)	X
	Transmission chain 1/2" including connecting link	5044948	1	ISO/R- 1967- 08A- 1 (ANSI)	X

* c/c 106 mm

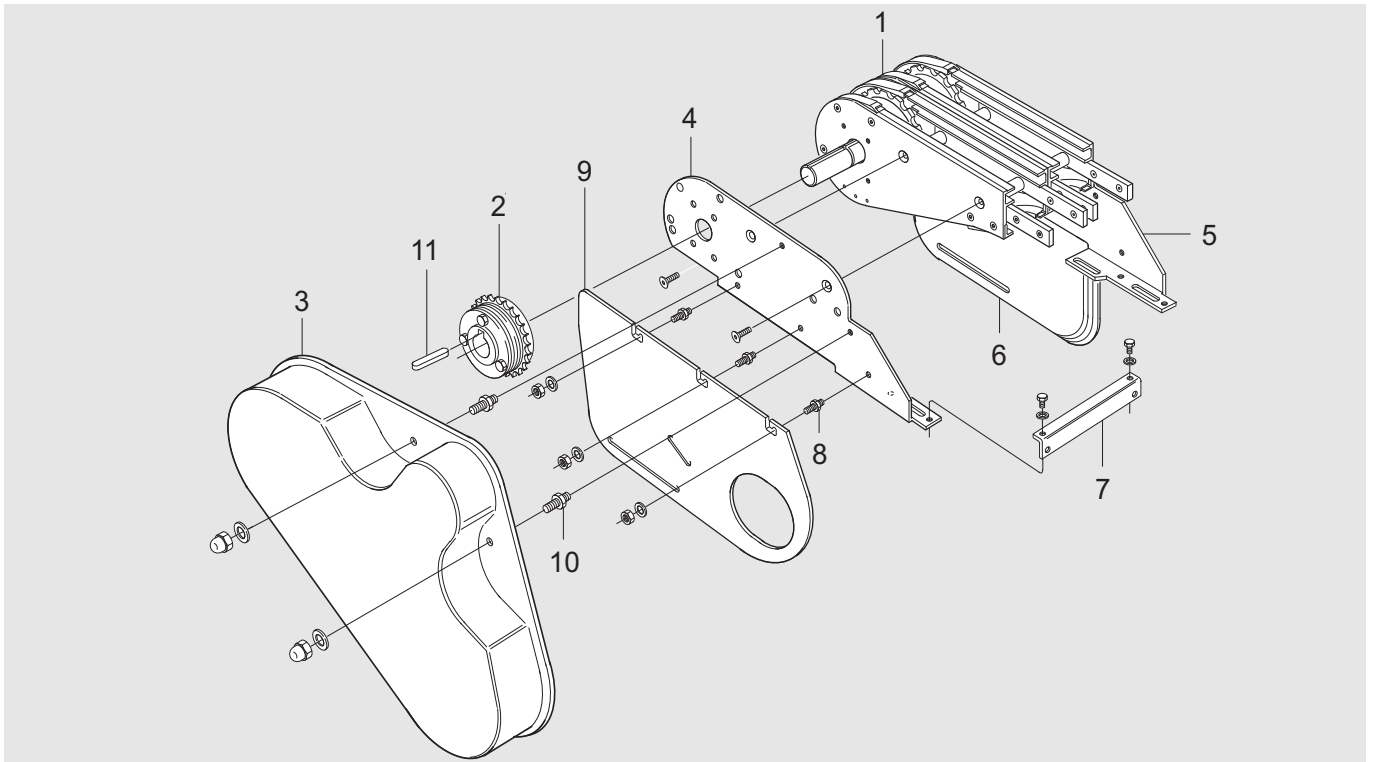
Important

Items 2-4 must be ordered separately when ordering a 0-unit (item 1). The sprocket wheel (item 2) should be specified in accordance with the following table:

Sprocket wheel 1/2"	Part No (SEW)
z ₁ =19	3924438
z ₁ =21	3924439
z ₁ =23	3924440
z ₁ =25	3921258
z ₁ =15 ANSI	5044935
z ₁ =17 ANSI	5044936
z ₁ =19 ANSI	5044937
z ₁ =21 ANSI	5044938
z ₁ =23 ANSI	5044939
z ₁ =25 ANSI	5044940

Double drive unit (c/c 106 mm)

0-unit – XHEB 0 HLD/HRD/HLAD/HRAD106**

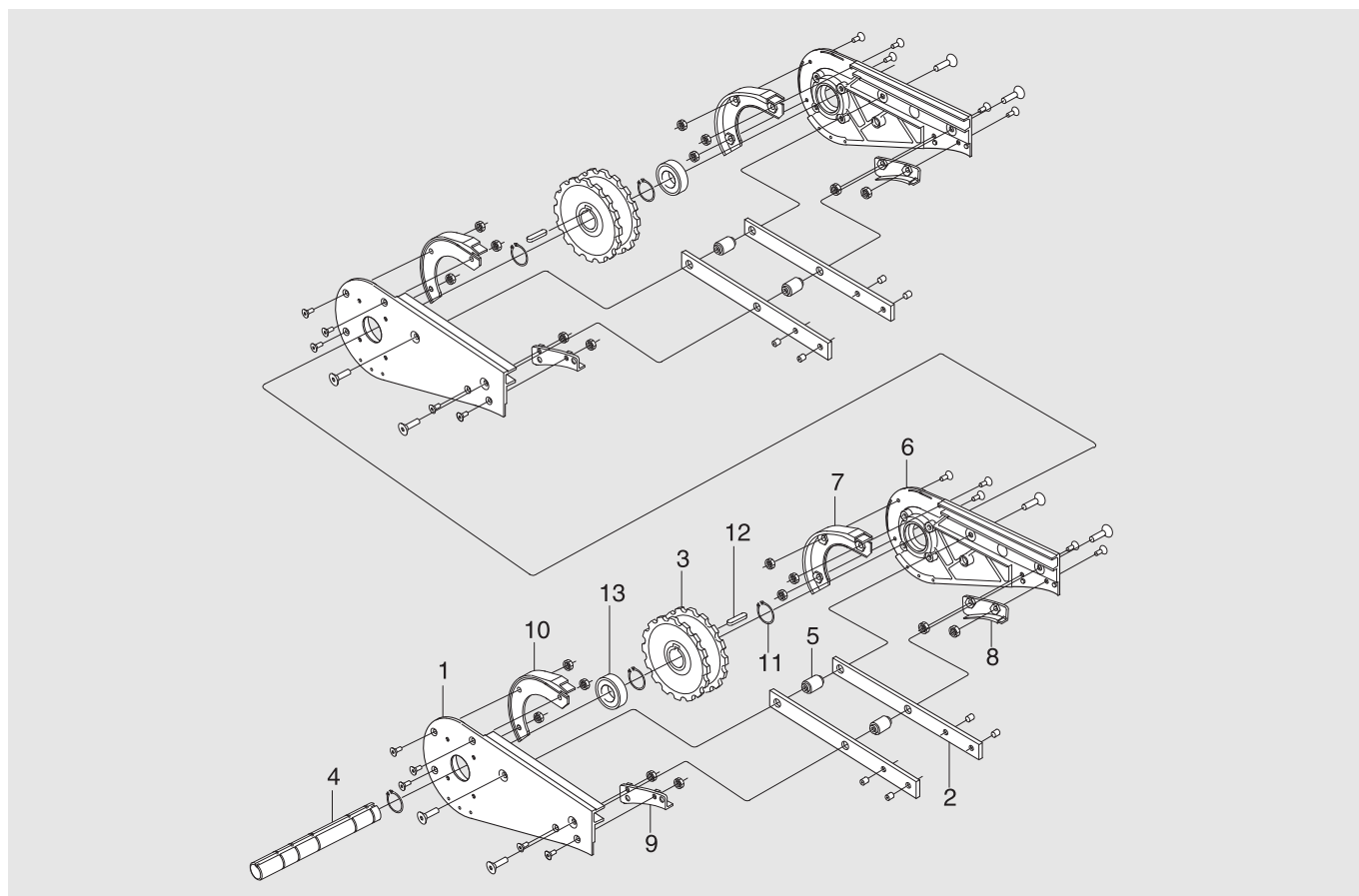


Item	Description	Part No	Qty	Comments	Recommended Spare parts
1	Basic unit	XHEB 0 HLDU106	1	See next page for details	
	Basic unit	XHEB 0 HRDU106	1	See next page for details	
2	Slip clutch $\text{\AA}25$ mm	5053981	1	ISO	
	-Slip clutch, Spare parts kit	5056817	1	ISO, incl. cup spring, ball, chain wheel	X
	Slip clutch $\text{\AA}25$ mm	5054000	1	ANSI	
	-Slip clutch, Spare parts kit	5056820	1	ANSI, incl. cup spring, ball, chain wheel	X
3	Transmission cover	3904431	1		
4	Motor bracket	3904527	1		
5	Motor bracket	3904528	1		
6*	Slack protection R	(3904665)	1	See kit below	
7	Adjusting block	3926279	1		
8*	Distance screw M6	(3904862)	5	See kit below	
9*	Slack protection L	(3904666)	1	See kit below	
10*	Distance screw M8	(3904855)	2	See kit below	
11	Adapter plate	3926310	1	c/c 106	
12	Thin parallel key	8x7-25	1	DIN 6885A h9	
*) 6+9	Slack protection kit	5111566	1	LH+RH	
*) 8	Distance screw kit	5111600	1	Kit contains 10 pcs	
*) 10	Distance screw kit	5111599	1	Kit contains 10 pcs	

* *c/c 106 mm

Double drive unit

Basic unit – Parts list

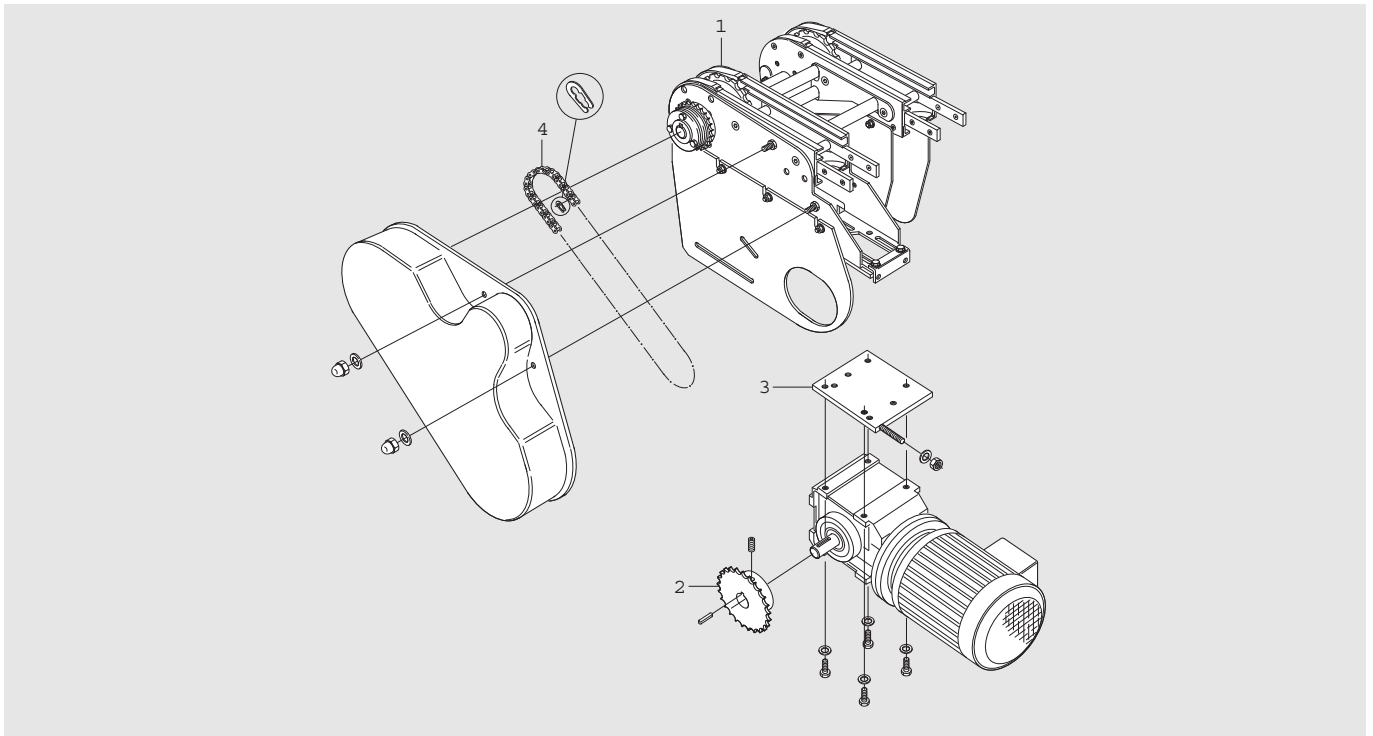


Item	Description	Part No	Qty	Comments	Recommended Spare parts
1*	Side plate L	(3904746)	2	See kit below	
2	Connecting strip	3904139	4		
3*	Drive wheel	5111627	2	(3904299)	X
4	Drive shaft	3926311	1	c/c 106	
		3926277	1	c/c 150–350	
5	Spacer	3904140	4		
6*	Side plate R	(3904234)	2	See kit below	
7*	Steering guide	(3904312)	2	See kit below	
8*	Guide R	(3904313)	2	See kit below	
9*	Guide L	(3904744)	2	See kit below	
10*	Steering guide L	(3904745)	2	See kit below	
11	Retaining ring	(SgA 25)	5	SgA 25 DIN 471, See kit below	
12	Thin parallel key	8×7–63	2	DIN 6885A h9	
13	Bearing	6205 2RS1/C3	2	6205-2RS1/C3	
*) 1+6	Side plate kit	5111628	1	LH+RH	
*) 7+10	Spare parts kit Steering guide	5111629	1	LH+RH	X
*) 8+9	Spare parts kit Guide kit	5111622	1	LH+RH	X

Double drive unit (c/c 150-350 mm)

Complete unit – XHEB_HLD/HRD/HLAD/HRAD-*

For SEW S37 gearmotor



Item	Description	Part No	Qty	Comments	Recommended Spare parts
1	0-unit (left-hand version)	XHEB 0 HLD/HLAD-	1	See next page for details	
	0-unit (right-hand version)	XHEB 0 HRD/HRAD-	1	See next page for details	
2	Sprocket wheel 1/2" including grub screw		1	See table below	X
3	Adapter plate including bolts and washers	3924197	1	For SEW S37 gearmotor	
	Adapter plate	3924455	1	Blind adapter plate	
4	Transmission chain 1/2" including connecting link	3921638	1	ISO/R- 1967- 08B- 1 (ISO)	X
	Transmission chain 1/2" including connecting link	5044948	1	ISO/R- 1967- 08A- 1 (ANSI)	X

* The dash (-) indicates a customer specified c/c distance in the range 150 mm to 350 mm.

Important

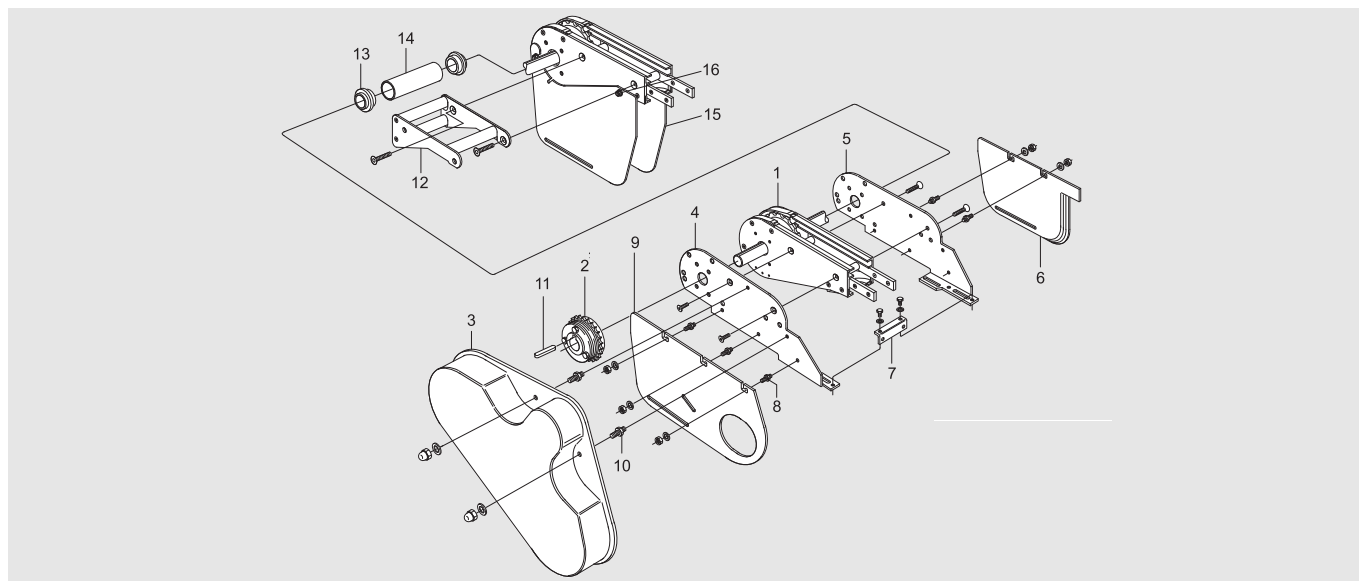
Items 2-4 must be ordered separately when ordering a 0-unit (item 1).

The sprocket wheel (item 2) should be specified in accordance with the following table:

Sprocket wheel 1/2"	Part No (SEW)
z ₁ =19	3924438
z ₁ =21	3924439
z ₁ =23	3924440
z ₁ =25	3921258
z ₁ =15 ANSI	5044935
z ₁ =17 ANSI	5044936
z ₁ =19 ANSI	5044937
z ₁ =21 ANSI	5044938
z ₁ =23 ANSI	5044939
z ₁ =25 ANSI	5044940

Double drive unit (c/c 150-350 mm)

0-unit – XHEB 0 HLD/HRD/HLAD/HRAD-*

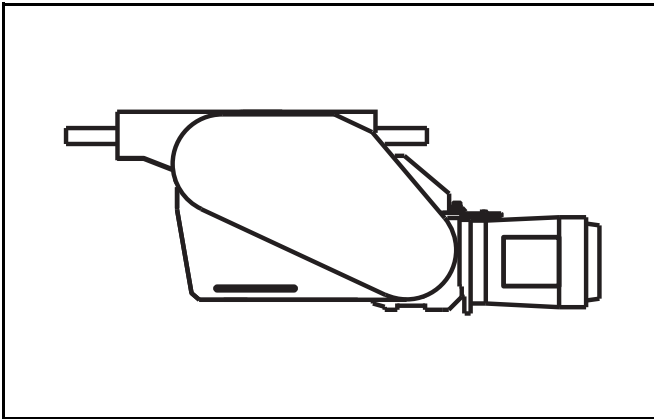


Item	Description	Part No	Qty	Comments	Recommended Spare parts
1	Basic unit	XHEB 0 HLDU-	1	See page 4 for details	
	Basic unit	XHEB 0 HRDU-	1	See page 4 for details	
2	Slip clutch $\text{Æ}25$ mm	5053981	1	ISO	
	-Slip clutch, Spare parts kit	5056817	1	ISO, incl. cup spring, ball, chain wheel	X
	Slip clutch $\text{Æ}25$ mm	5054000	1	ANSI	
	-Slip clutch, Spare parts kit	5056820	1	ANSI, incl. cup spring, ball, chain wheel	X
3	Transmission cover	3904431	1		
4	Motor bracket	3904527	1		
5	Motor bracket	3904528	1		
6*	Slack protection	(3904665)	1	See kit below	
7	Adjusting block	3925469	1		
8*	Distance screw M6	(3904862)	9	See kit below	
9*	Slack protection	(3904666)	1	See kit below	
10*	Distance screw M8	(3904855)	2	See kit below	
11	Thin parallel key	8×7-25	1	DIN 6885A h9	
12	Fastener yoke	5046915	1		
13	Bushing	5044695	2		
14	Sleeve	5046917	1		
15*	Slack protection	(3925673)	2	See kit below	
16	Distance screw	3925718	2		
*) 6+9	Slack protection kit	5111566	1	LH+RH	
*) 8	Distance screw kit	5111600	1	Kit contains 10 pcs	
*) 10	Distance screw kit	5111599	1	Kit contains 10 pcs	
*) 15	Slack protection kit	5111581	1		

* The dash (-) indicates a customer specified c/c distance in the range 150 mm to 350 mm.

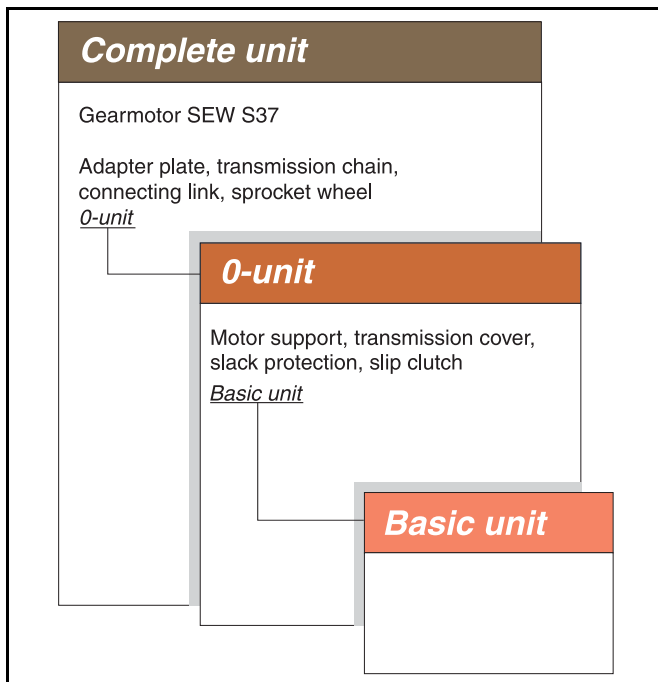


Intermediate drive unit - XH



Revision list

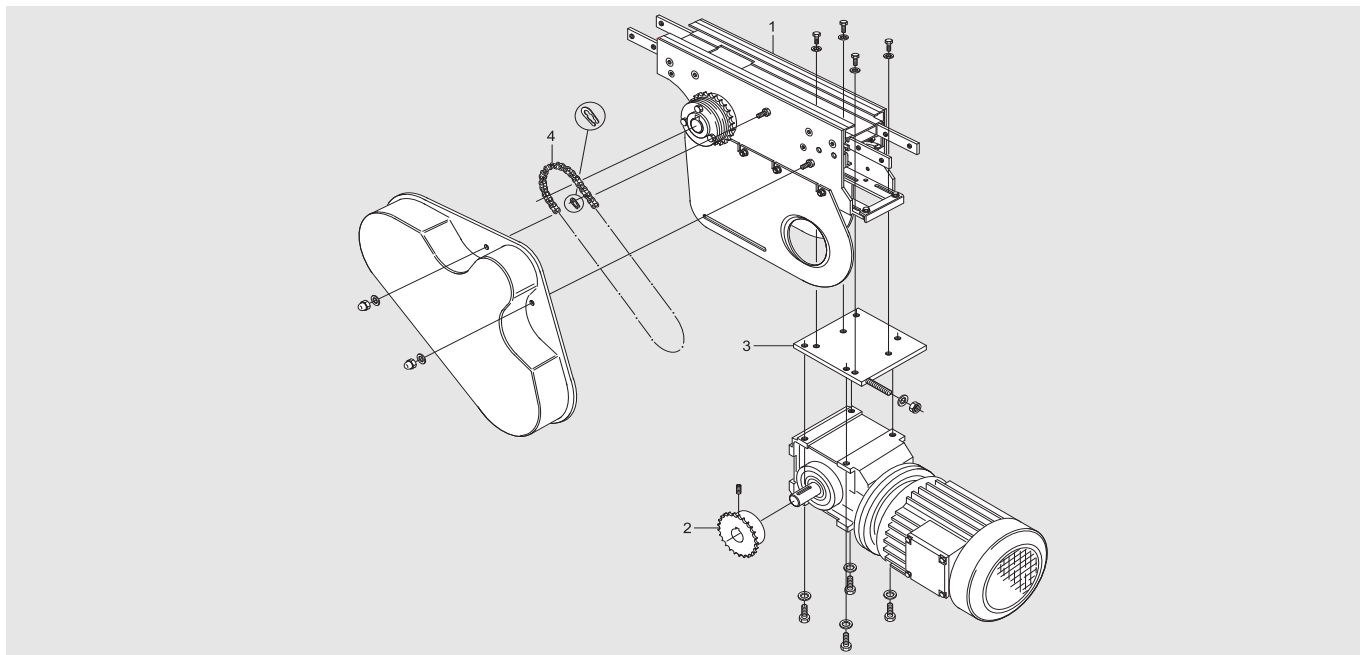
Document designation	Date	Type of revision	Entered by
XH003-E1	98-10-14	New version	Enator Inforum
XH003-E2	08-10-23	Spare part kits added	JE
XH003-E3	09-03-19		JE
XH003-E4	09-10-22	Ch. part no.	JE
XH003-E5	10-07-06	Added new column	CB



Intermediate drive unit

Complete unit – XHER _HL/HR/HLA/HRA

For SEW S37 gearmotor



Item	Description	Part No	Qty	Comments	Recommended Spare parts
1	0-unit (left-hand version)	XHER 0 HL/HLA	1	See next page for details	
	0-unit (right-hand version)	XHER 0 HR/HRA	1	See next page for details	
	Motor alternative, see Drive unit guide 5014				
2	Sprocket wheel 1/2" including grub screw		1	See table below	X
3	Adapter plate including bolts and washers	3924197	1	For SEW S37 gearmotor	
	Adapter plate	3924455	1	Blind adapter plate	
4	Transmission chain 1/2" including connecting link	3921638	1	ISO/R- 1967- 08B- 1 (ISO)	X
	Transmission chain 1/2" including connecting link	5044948	1	ISO/R- 1967- 08A- 1 (ANSI)	X

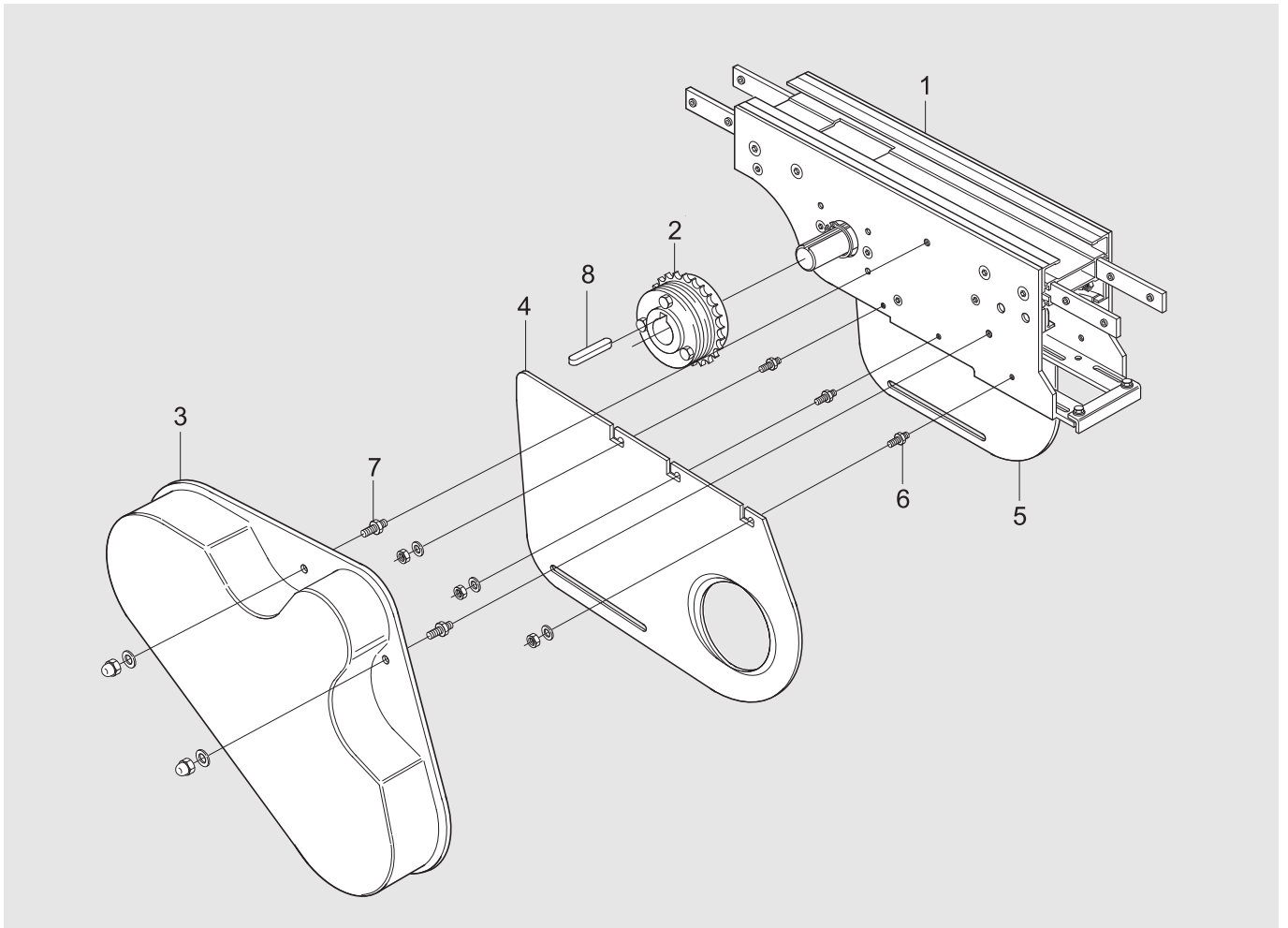
Important

Items 2-4 must be ordered separately when ordering a 0-unit (item 1). The sprocket wheel (item 2) should be specified in accordance with the following table:

Sprocket wheel 1/2"	Part No (SEW)
z ₁ =19	3924438
z ₁ =21	3924439
z ₁ =23	3924440
z ₁ =25	3921258
z ₁ =15 ANSI	5044935
z ₁ =17 ANSI	5044936
z ₁ =19 ANSI	5044937
z ₁ =21 ANSI	5044938
z ₁ =23 ANSI	5044939
z ₁ =25 ANSI	5044940

Intermediate drive unit

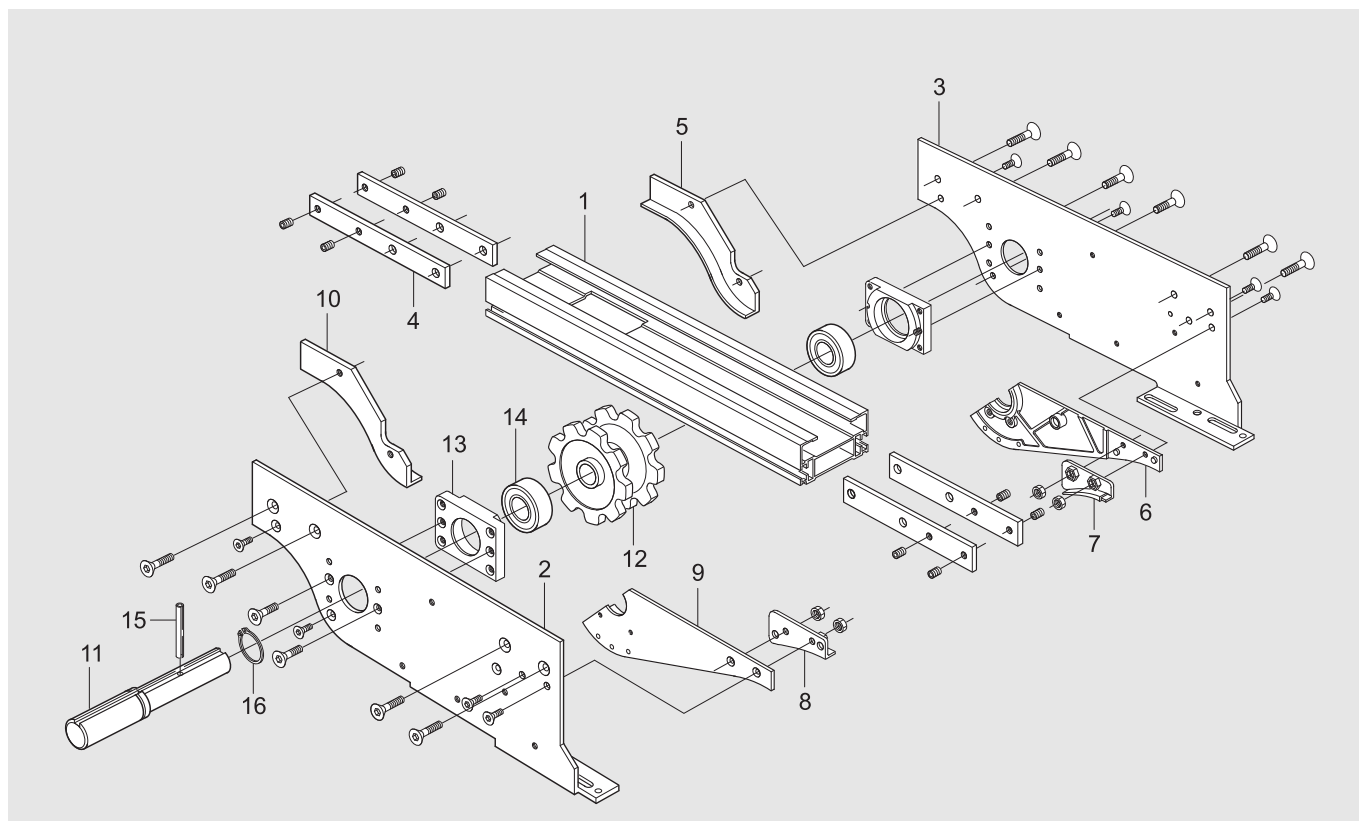
0-unit – XHER 0 HL/HR/HLA/HRA



Item	Description	Part No	Qty	Comments	Recommended Spare parts
1	Basic unit (left-hand version)	XHER 0 HLU	1	See next page for details	
	Basic unit (right-hand version)	XHER 0 HRU	1	See next page for details	
2	Slip clutch $\text{\AA}25$ mm	5053981	1	ISO	
	-Slip clutch, Spare parts kit	5056817	1	ISO, incl. cup spring, ball, chain wheel	X
	Slip clutch $\text{\AA}25$ mm	5054000	1	ANSI	
	-Slip clutch, Spare parts kit	5056820	1	ANSI, incl. cup spring, ball, chain wheel	X
3	Transmission cover	3904431	1		
4*	Slack protection L	(3904666)	1	See kit below	
5*	Slack protection	(3904665)	1	See kit below	
6*	Screw	(3904862)	5	See kit below	
7*	Screw	(3904855)	2	See kit below	
8	Thin parallel key	8x7-25	1	DIN 6885A h9	
*)					
4+5	Slack protection kit	5111566	1	LH+RH	
*) 6	Distance screw kit	5111600	1	Kit contains 10 pcs	
*) 7	Distance screw kit	5111599	1	Kit contains 10 pcs	

Intermediate drive unit

Basic unit – XHER 0 HLU/HRU

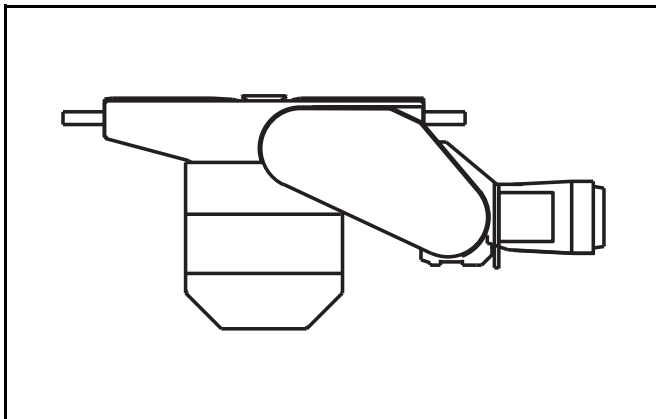


Item	Description	Part No	Qty	Comments	Recommended Spare parts
1	Beam	3926790	1		
2	Side plate LH	3927121	1		
3	Side plate RH	3927122	1		
4	Connecting strip	3924975	4		
5*	Steering guide RH	(3902661)	1	See kit below	
6	Side plate RH	3927180	1		
7*	Guide RH	(3904313)	1	See kit below	
8*	Guide LH	(3904744)	1	See kit below	
9	Side plate LH	3927181	1		
10*	Steering guide LH	(3924634)	1	See kit below	
11	Drive shaft	3926791	1		
12*	Drive wheel	(3902527)	1	See kit below	
13	Bearing house	3927119	2		
14	Bearing	6204-RS1/C3	2	6204-RS1/C3	
15	Tension pin	FRP 6x55	1	FRP 6x55	
16	Retaining ring	SgA 25	1	SgA 25	
*) 5+10	Spare parts kit Steering guide	5111621	1	LH+RH	X
*) 7+8	Spare parts kit Guide	5111622	1	LH+RH	X
*) 12	Wheel	5111623	1	(3902527)	X

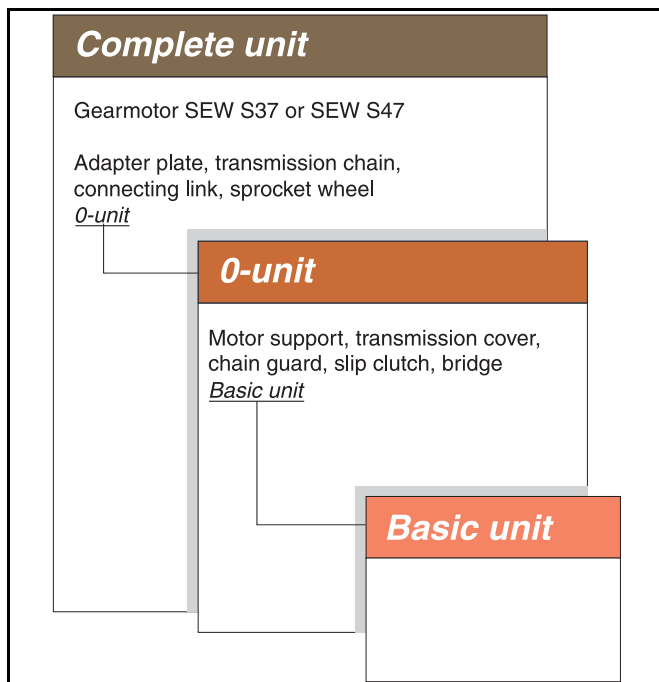


Catenary drive unit - XH

Revision list



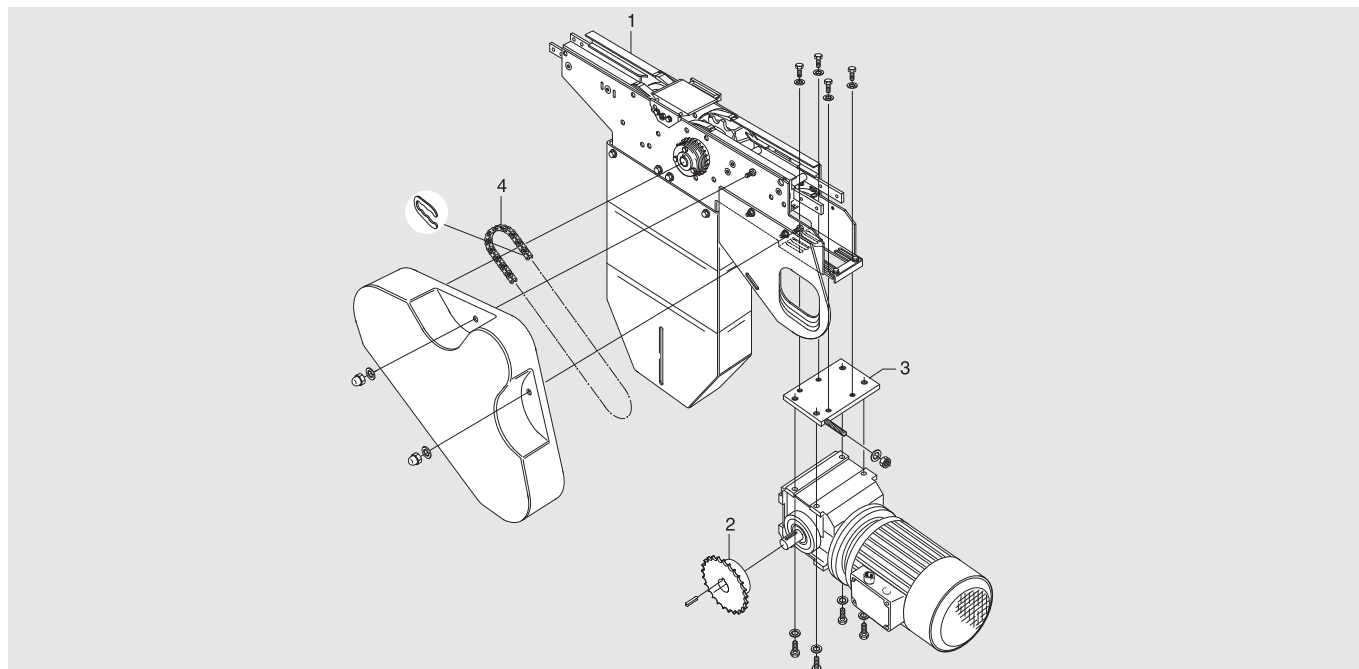
Document designation	Date	Type of revision	Entered by
XH004-E1	98-10-14	New version	Enator Inforum
XH004-E2	10-08-20	Added new col.	JE



Catenary drive unit

Complete unit – XHEC_HL/HR/HLA/HRA

For SEW S37 gearmotor



Item	Description	Part No	Qty	Comments	Recommended Spare parts
1	0-unit (left-hand version)	XHEC 0 HL/HLA	1	See next page for details	
	0-unit (right-hand version)	XHEC 0 HR/HRA	1	See next page for details	
2	Sprocket wheel 1/2" including grub screw		1	See table below	X
3	Adapter plate including bolts and washers	3924197	1	For SEW S37 gearmotor	
	Adapter plate	3924455	1	Blind adapter plate	
4	Transmission chain 1/2" including connecting link	3921638	1	ISO/R- 1967- 08B- 1 (ISO)	X
	Transmission chain 1/2" including connecting link	5044948	1	ISO/R- 1967- 08A- 1 (ANSI)	X

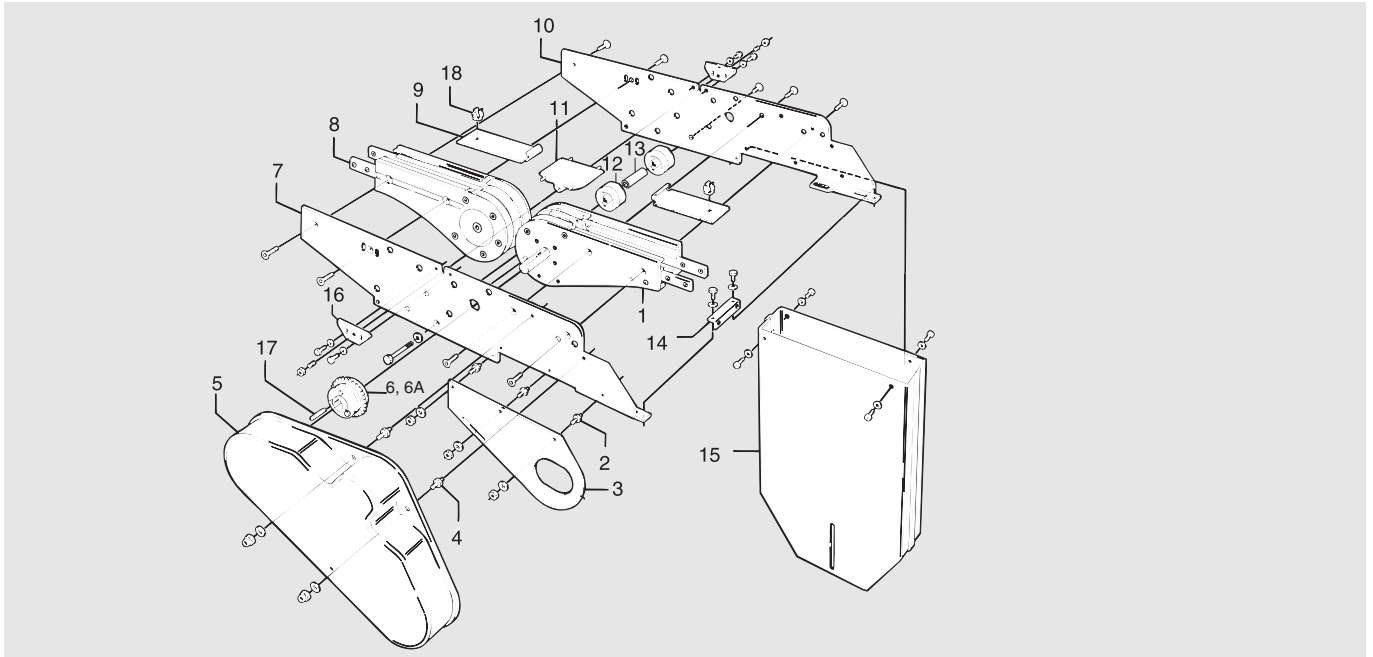
Important

Items 2-4 must be ordered separately when ordering a 0-unit (item 1). The sprocket wheel (item 2) should be specified in accordance with the following table:

Sprocket wheel 1/2"	Part No (SEW)
z ₁ =19	3924438
z ₁ =21	3924439
z ₁ =23	3924440
z ₁ =25	3921258
z ₁ =15 ANSI	5044935
z ₁ =17 ANSI	5044936
z ₁ =19 ANSI	5044937
z ₁ =21 ANSI	5044938
z ₁ =23 ANSI	5044939
z ₁ =25 ANSI	5044940

Catenary drive unit

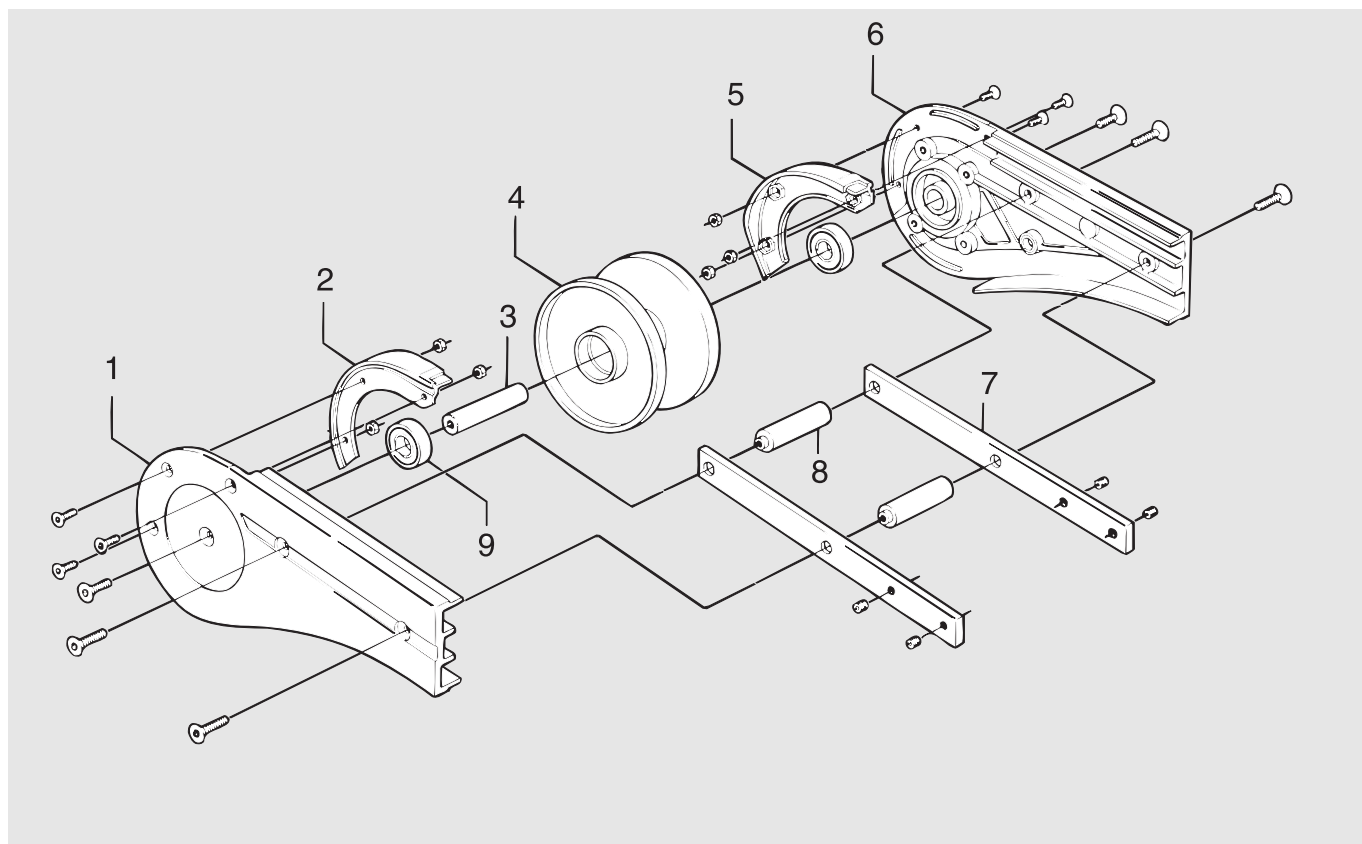
0-unit – XHEC 0 HL/HR/HLA/HRA



Item	Description	Part No	Qty	Comments	Recommended Spare parts
1	Basic unit (left-hand version)	XHEB 0 HLU	1	See next page for details	
	Basic unit (right-hand version)	XHEB 0 HRU	1	See next page for details	
2*	Distance screw	(3904862)	2	See kit below	
3	Chain guard	3924847	1		
4*	Distance screw	(3904855)	2	See kit below	
5	Transmission cover	3904431	1		
6	Slip clutch Ø25 mm	5053981	1	ISO	
	-Slip clutch, Spare parts kit	5056817	1	ISO, incl. cup spring, ball, chain wheel.	X
6	Slip clutch Ø25 mm	5054000	1	ANSI	
	-Slip clutch, Spare parts kit	5056820	1	ANSI, incl. cup spring, ball, chain wheel.	X
7	Motor bracket L	3921463	1		
8	Idler unit	3921481	1	See page 5 for details	
9	Cover plate	3924662	2		
10	Motor bracket R	3921464	1		
11	Bridge	3905610	1		
12	Support roller	3920087	4		
13	Distance pipe	3920010	2		
14	Adjusting block	3924287	1		
15	Cover	3925336	1		
16	Adjustment plate	3905278	2		
17	Thin parallel key	8x7-63	1	DIN 6885A h9	
18	Tube clamp	14062	2	Handimex	
*) 2	Distance screw kit	5111600	1	Kit contains 10 pcs	
*) 4	Distance screw kit	5111599	1	Kit contains 10 pcs	

Catenary drive unit

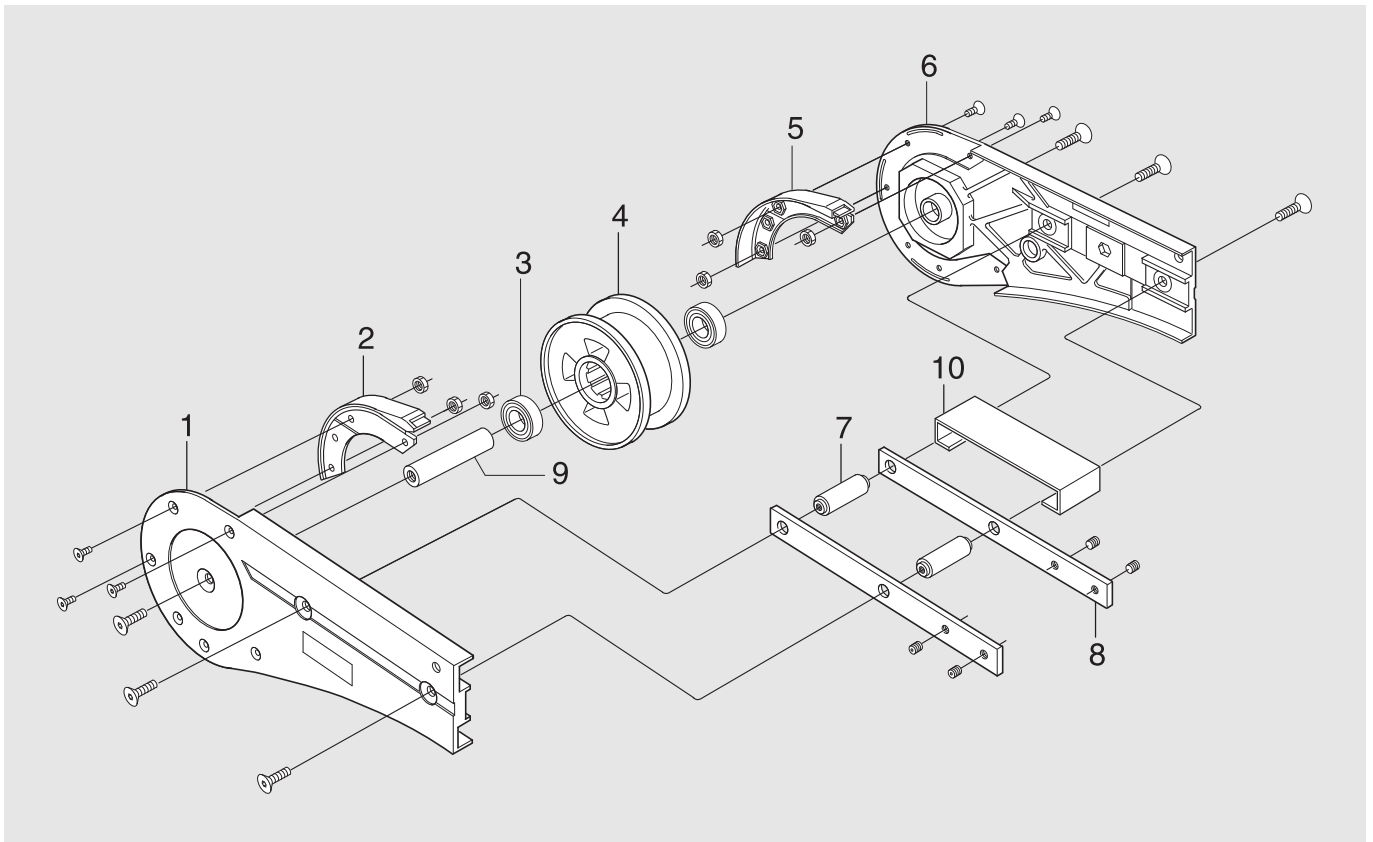
Basic unit – 3925333



Item	Description	Part No	Qty	Comments	Recommended Spare parts
1*	Side plate L	(3925067)	1	See kit below	
2	Steering guide	5051421	1	Marked C and D	X
3*	Shaft	3924988	1		
4*	Drive wheel	3924760	1		
5	Steering guide	See item 2		Marked A and B	X
6*	Side plate R	(3925066)	1	See kit below	
7	Connecting strip	3921123	2		
8	Spacer	3924989	3		
9*	Bearing	6202-2Z	2		
*) 1+6	Side plate kit	5111649	1	LH+RH	
*) 3+4+9	Drive wheel kit	3925063	1	Including wheel, shaft, wedge and bearing	X

Catenary drive unit

Idler unit – 3925332



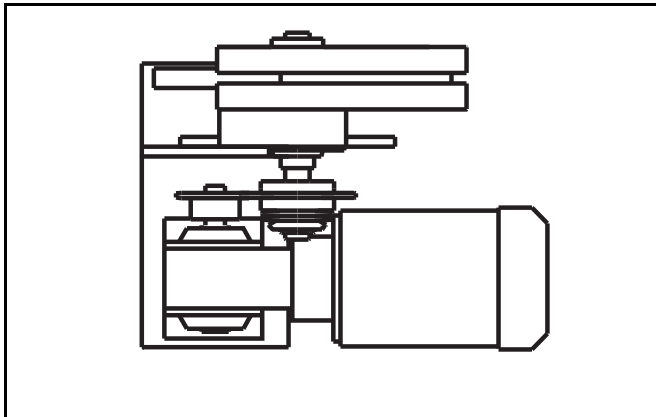
Item	Description	Part No	Qty	Comments	Recommended Spare parts
1	Side plate R	3920208	1		
2	Steering guide	5051421	1	Marked C and D	X
3	Bearing	6202-2Z	2		
4*	Wheel	(3924757)	1		
5	Steering guide	See item 2		Marked A and B	X
6	Side plate L	3920207	1		
7	Spacer	3924989	2		
8	Connecting strip	3921123	2		
9	Shaft	3925001	1		
10	Cover plate	3925029	1		
*) 4	Wheel	5111648	1	(3924757)	X

Figures "1", "2", and "3" in the "Availability" column represent:

1. Items immediately available for ordering
2. RFQ items (request for quote)
3. Standard hardware items, normally purchased locally

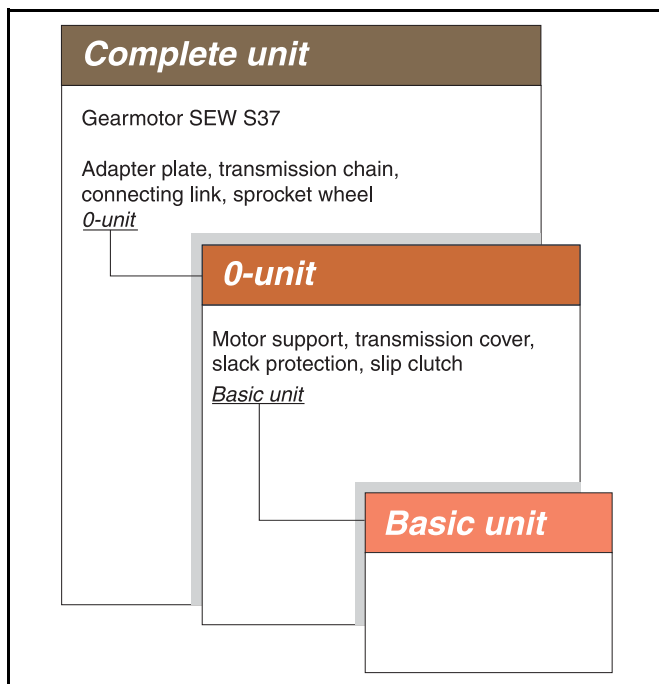


Horizontal bend drive unit - XH



Revision list

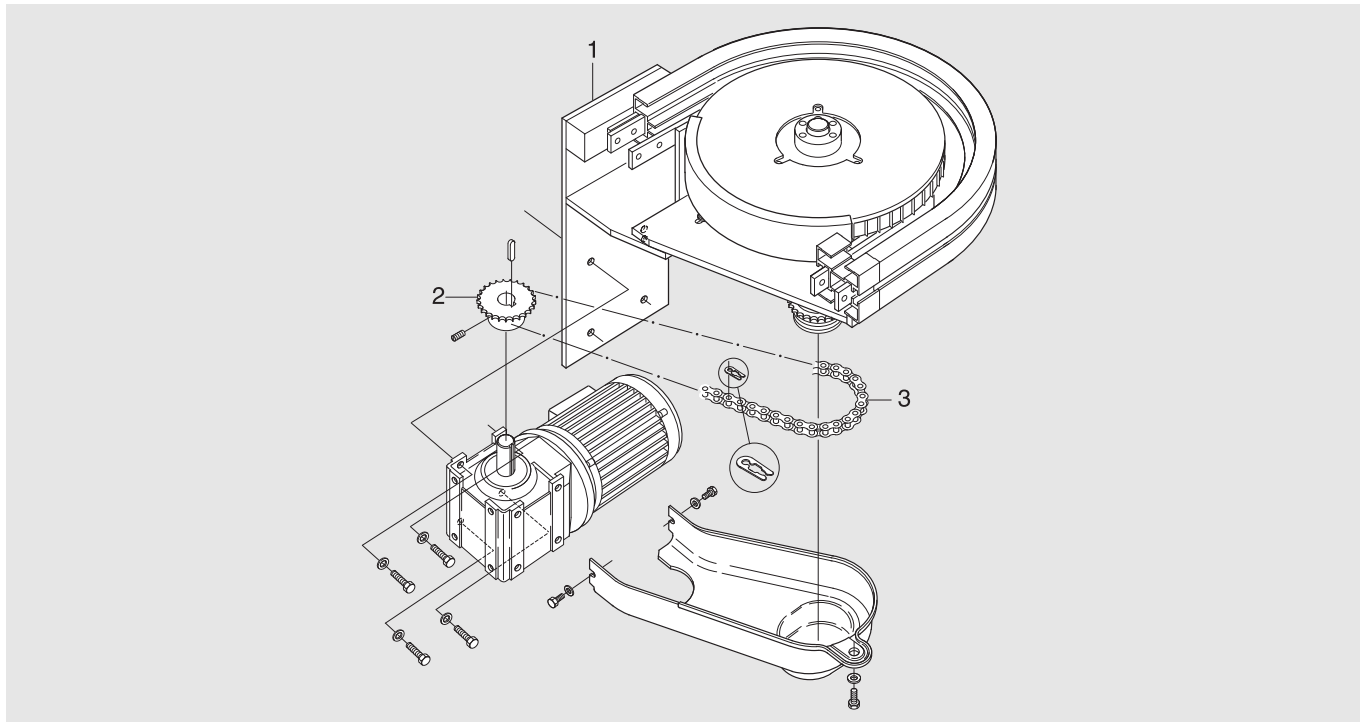
Document designation	Date	Type of revision	Entered by
XH005-E1	98-10-14	New version	Enator Inforum
XH005-E2	10-08-25	VP=>FM8	JE



Horizontal bend drive unit

Complete unit – XHEW 180/_H/HA

For SEW S37 gearmotor



Item	Description	Part No	Qty	Comments	Recommended Spare parts
1	0-unit	XHEW 180/0 H/HA	1	See next page for details	
2	Sprocket wheel 1/2" including grub screw		1	See table below	X
	Motor alternative, see Drive unit guide 5014				
3	Transmission chain 1/2" including connecting link	3921638	1	ISO/R- 1967- 08B- 1 (ISO)	X
	Transmission chain 1/2" including connecting link	5044948	1	ISO/R- 1967- 08A- 1 (ANSI)	X

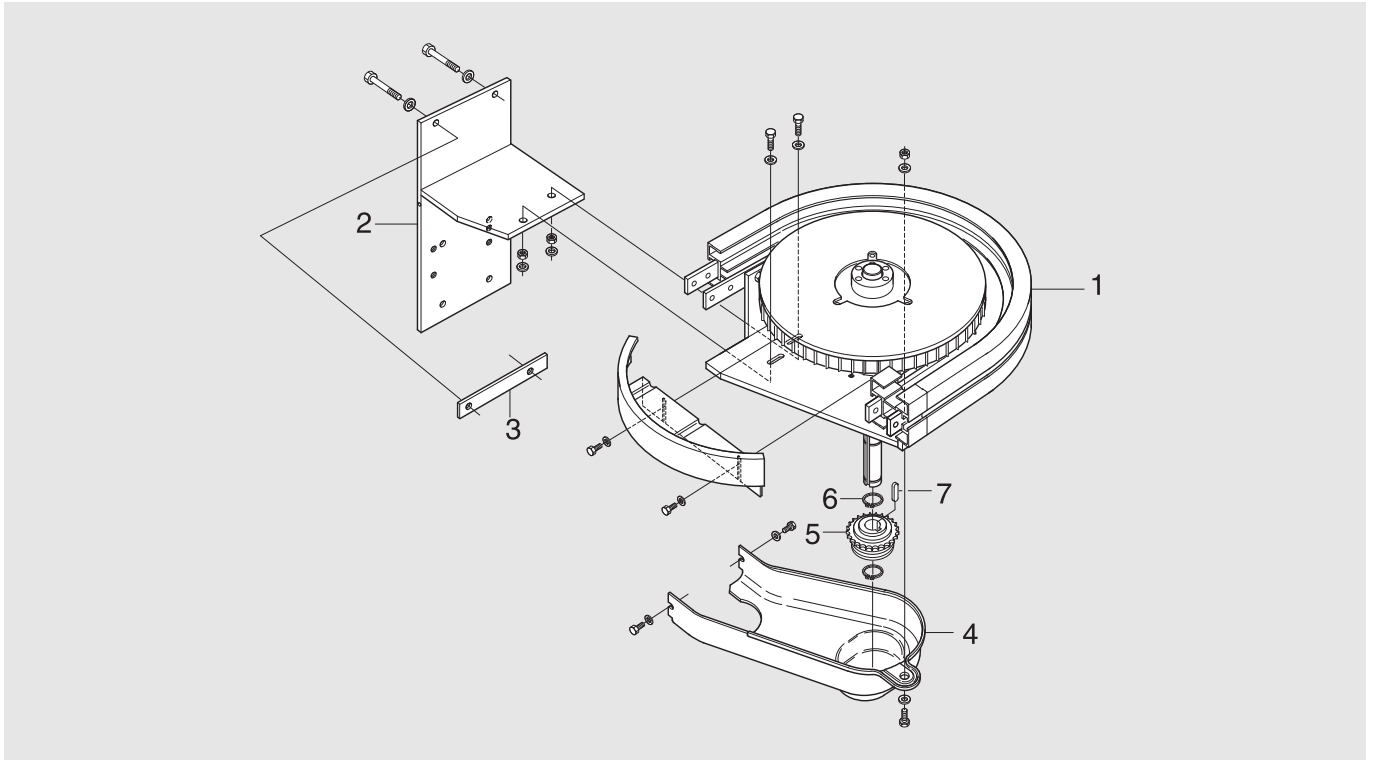
Important

Items 2-4 must be ordered separately when ordering a 0-unit (item 1). The sprocket wheel (item 2) should be specified in accordance with the following table:

Sprocket wheel 1/2"	Part No (SEW)
z ₁ =19	3924438
z ₁ =21	3924439
z ₁ =23	3924440
z ₁ =25	3921258
z ₁ =15 ANSI	5044935
z ₁ =17 ANSI	5044936
z ₁ =19 ANSI	5044937
z ₁ =21 ANSI	5044938
z ₁ =23 ANSI	5044939
z ₁ =25 ANSI	5044940

Horizontal bend drive unit

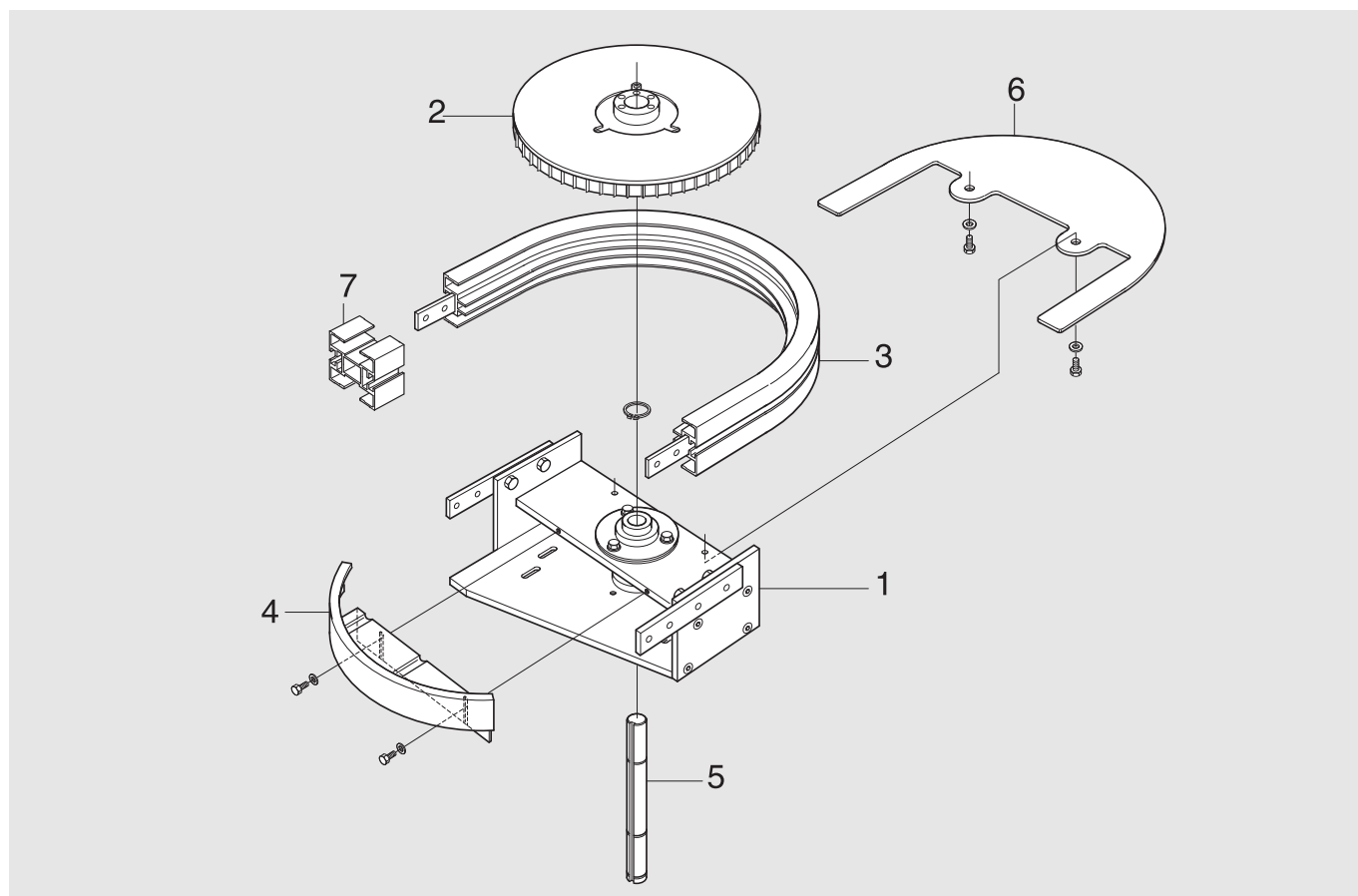
0-unit – XHEW 180/0 H/HA



Item	Description	Part No	Qty	Comments	Recommended Spare parts
1	Basic unit	XHEW 180/0 HU	1	See next page for details	
2	Bracket	3926586	1		
3	Nut bracket	3903339	1		
4	Transmission cover	3926754	1		
5	Slip clutch $\text{\AA}25$ mm	5053981	1	ISO	
	-Slip clutch, Spare parts kit	5056817	1	ISO, incl. cup spring, ball, chain wheel.	X
	Slip clutch $\text{\AA}25$ mm	5054000	1	ANSI	
	-Slip clutch, Spare parts kit	5056820	1	ANSI, incl. cup spring, ball, chain wheel.	X
6	Retaining ring	SgA 25	2		
7	Thin parallel key	8x7-40	1	DIN 6885A h9	

Horizontal bend drive unit

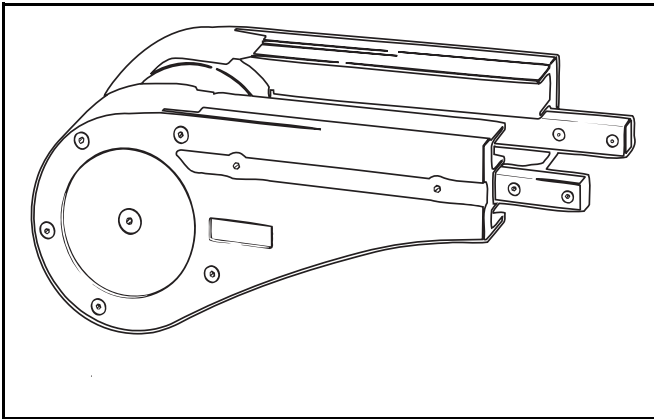
Basic unit – XHEW 180/0 HU



Item	Description	Part No	Qty	Comments	Recommended Spare parts
1	Bracket	3926575	1		
2	Drive wheel	3902723	1		X
3	Outer horizontal bend	XHBE 180R170	1		
4	Protective cover	3926718	1		
5	Shaft	3926450	1		
6	Cover	3926577	1		
7	Transport cover	3926716	2		



Idler end unit - XH

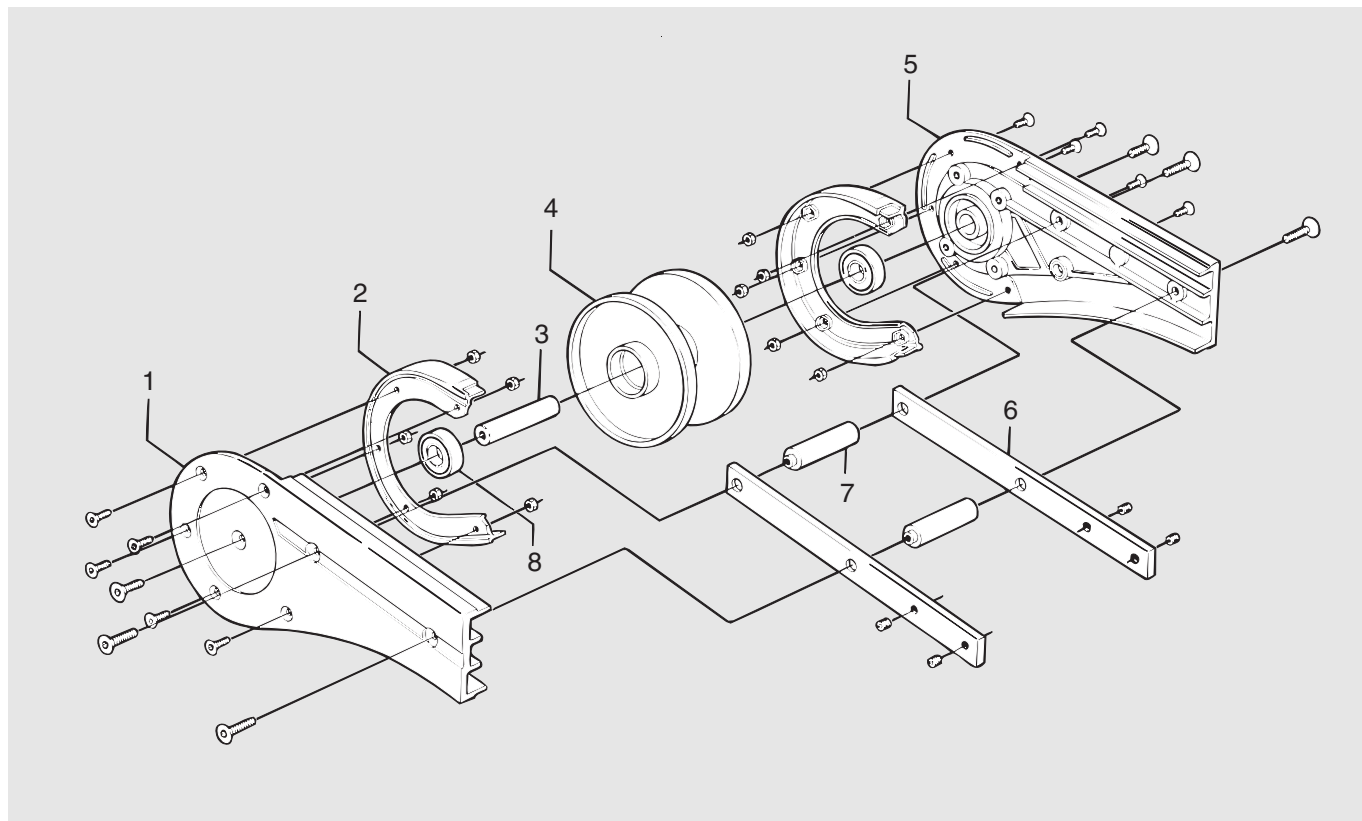


Revision list

Document designation	Date	Type of revision	Entered by
XH001-E1	98-10-14	New version	Enator Inforum

Idler end unit

XHEJ 325



Item	Description	Part No	Qty	Comments	Recommended Spare parts
1	Side plate R	3921162	1		
2	Spare parts kit Steering guide	5111626	1	(3921164)	X
3*	Shaft	(3921287)	1		
4*	Idler wheel	5111630	1	(3921163)	
5	Side plate L	3921161	1		
6	Connecting strip	3921123	1		
7	Spacer	3904140	2		
8*	Bearing	(6202-2Z)	2		
*) 3+4+8	Wheel kit	5111625	1		X

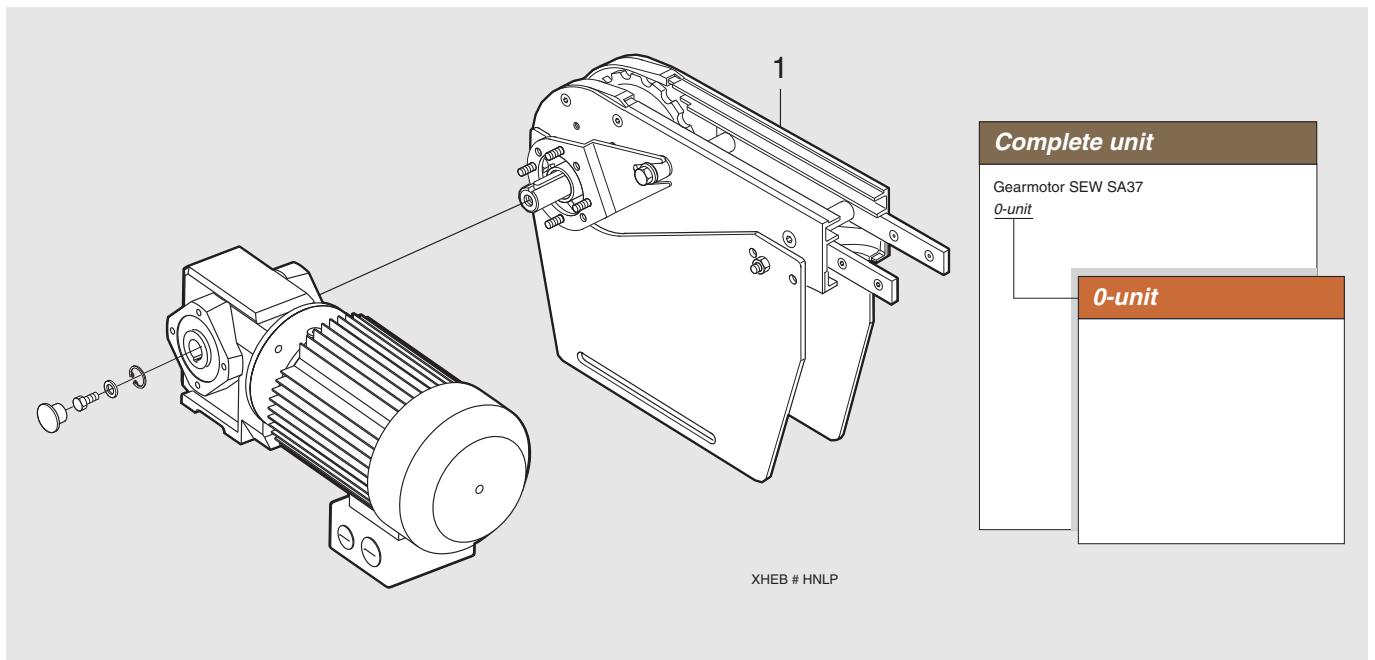


End drive unit XH Type H, direct drive without slip clutch

Revision list

Document designation	Date	Type of revision	Entered by
5354EN-1	06-06-30	Initial version	
5354EN-2	10-08-30	Added new column	CB
5354EN-3	15-08-19	BOM XHEB 0 HNLGP/HNRGP added	KR

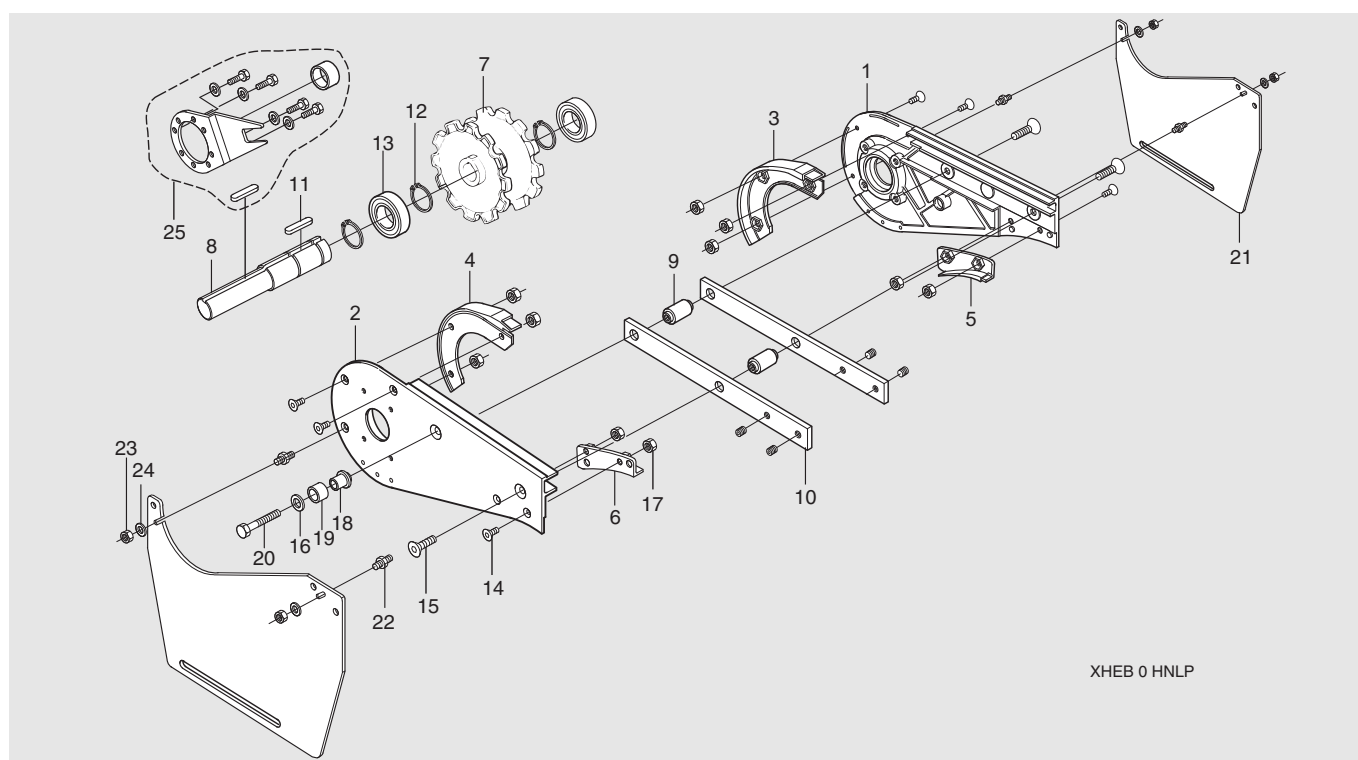
Complete unit XHEB # HNL P/HNR P



Item	Description	Part No	Qty	Comments	Recommended Spare parts
1	O-unit (left-hand version)	XHEB 0 HNL P	1	See next page for details	
	O-unit (right-hand version)	XHEB 0 HNR P	1	See next page for details	
	O-unit (left-hand version)	XHEB 0 HNLGP	1	See Page 41 for details	
	O-unit (right-hand version)	XHEB 0 HNRGP	1	See Page 41 for details	

For SEW SA37 gearmotor

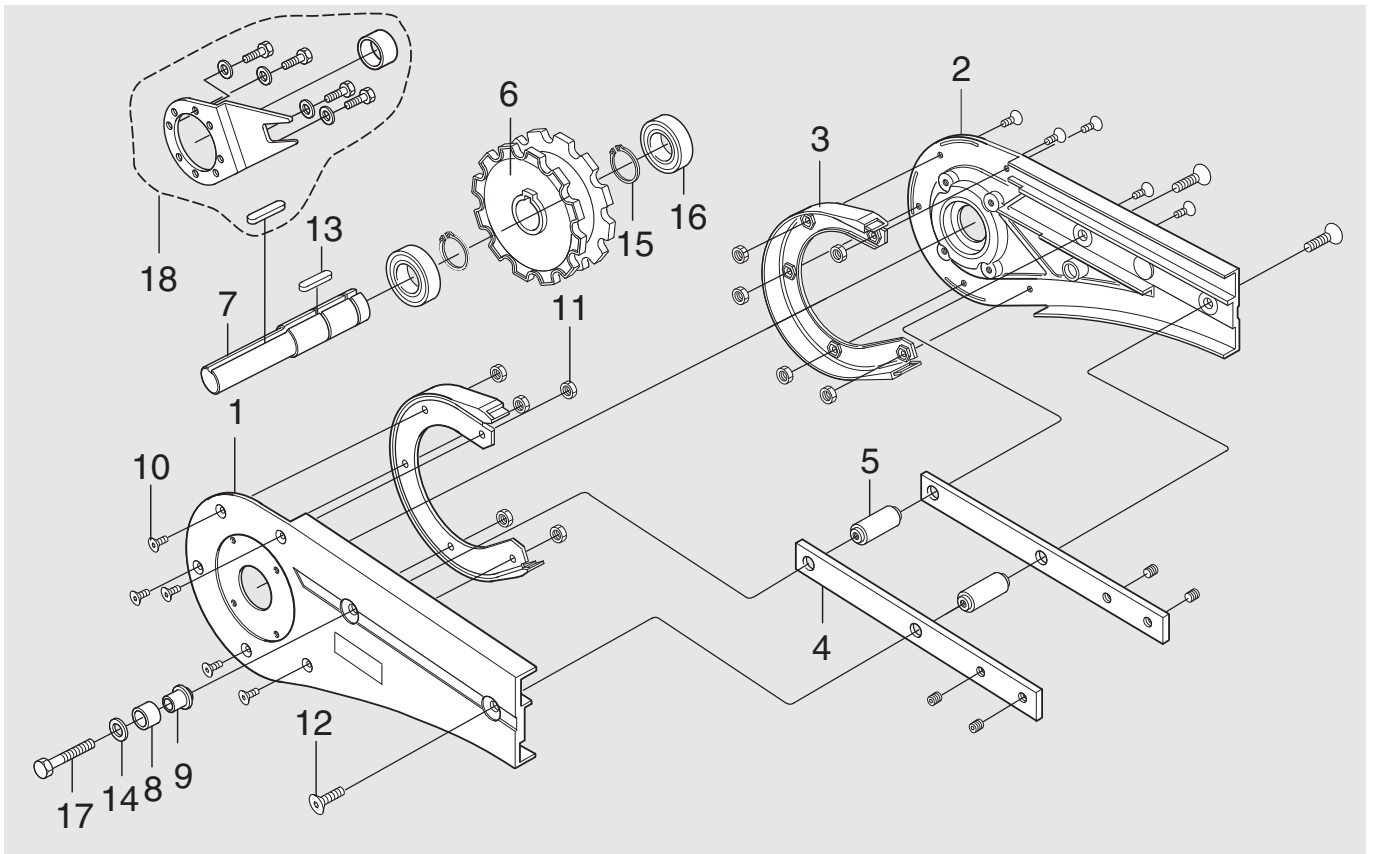
0-unit XHEB 0 HNLP/HNRP



Item	Description	Part No	Qty	Comments	Recommended Spare parts
1	Side plate R	3904234	1		
2	Side plate L	3904746	1		
3*	Steering guide R	3904312	1		
4*	Steering guide L	3904745	1		
5*	Guide R	3904313	1		
6*	Guide L	3904744	1		
7	Drive wheel	3904299	1		X
8	Shaft	5057047	1		
9	Spacer	3904140	2		
10	Connecting strip	3921123	2		
11	Wedge	8x7-63 ISO/R 773 (SMS-2306)	1		
12	Retaining ring	SGA 25	2		
13	Bearing	6205 2RS1/C3	2		
14	Screw	MF6S M5X10 10,9 FZB	6		
15	Screw	MF6S M8x30 10,9 FZB	3		
16	Washer for torque arm	5056635	1		
17	Nut	M6M M5-8 FZB	10		
18	Sleeve	5043873	1		
19	Torque absorber	5043874	1		
20	Screw	M6S M8X45 6H 8,8 FZB	1		
21	Slack protection	3925673	2		
22	Distance screw M5/M6	3925718	4		
23	Nut	M6M M6-8 FZB	4		
24	Washer	BRB 6.4X12X1,6 FZB	4		
25	Torque arm kit	5057039	1	Torque arm, cover, screws, washers, wedge	
*) 3+4	Spare parts kit Steering guide	5111629	1		X
*) 5+6	Spare parts kit Guide	5111622	1		X

<http://www.flexlink.com>

0-unit XHEB 0 HNLGP/HNRGP



Item	Description	Part No	Qty	Comments	Recommended Spare parts
1*	Side plate L	3921685	1		
2*	Side plate R	3921684	1		
3*	Steering guide R	3921164	2		
4	Connecting strip	3921123	2		
5	Spacer	3904140	2		
6	Drive wheel	3904299	1		X
7	Shaft	5057047	1	XH SEW SA37	
8	Torque absorber	5043874	1		
9	Sleeve	5043873	1		
10	Screw	MF6S M5X10 10,9 FZB	10		
11	Nut	ISO 4032 M5-A2K	10		
12	Screw	MF6S M8x30 10,9 FZB	3		
13	Thin parallel key	DIN 6885 A h9 8x7x50	1		
14	Washer for torque arm	5056635	1		
15	Retaining ring	DIN 471 25 St	2		
16	Bearing	6205 2RS1/C3	2		
17	Screw	M6S M8X45 6H 8,8 FZB	1		
18	Torque arm kit	5057039	1	Torque arm, cover, screws, washers, wedge, sleeve	
*) 1+2	Side plate kit	5111634	1		X
*) 3	Steering guide kit	5111626	1		X
*) 6	Drive wheel kit	5111627	1		
*) 8+9+14+17	Absorber kit	5118620	1		

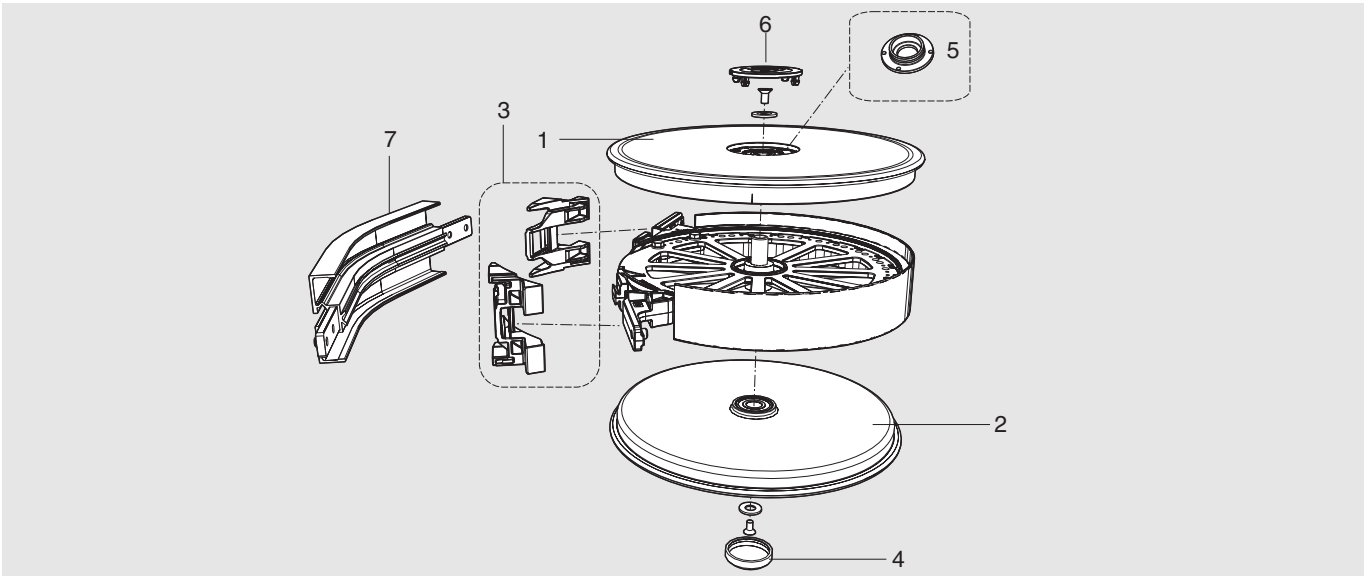


Wheel bends XSBH-, XLBH-, XBBH-, XMBH-, XHBH-, XKBH-, XTBH-

Revision list

Document designation	Date	Type of revision	Entered by
5392EN-1	07-12-05	Initial version	
5392EN-2	08-09-10		JE
5392EN-3	10-05-27		JE
5392EN-4	10-08-31	Added new column	CB

Complete wheel bend



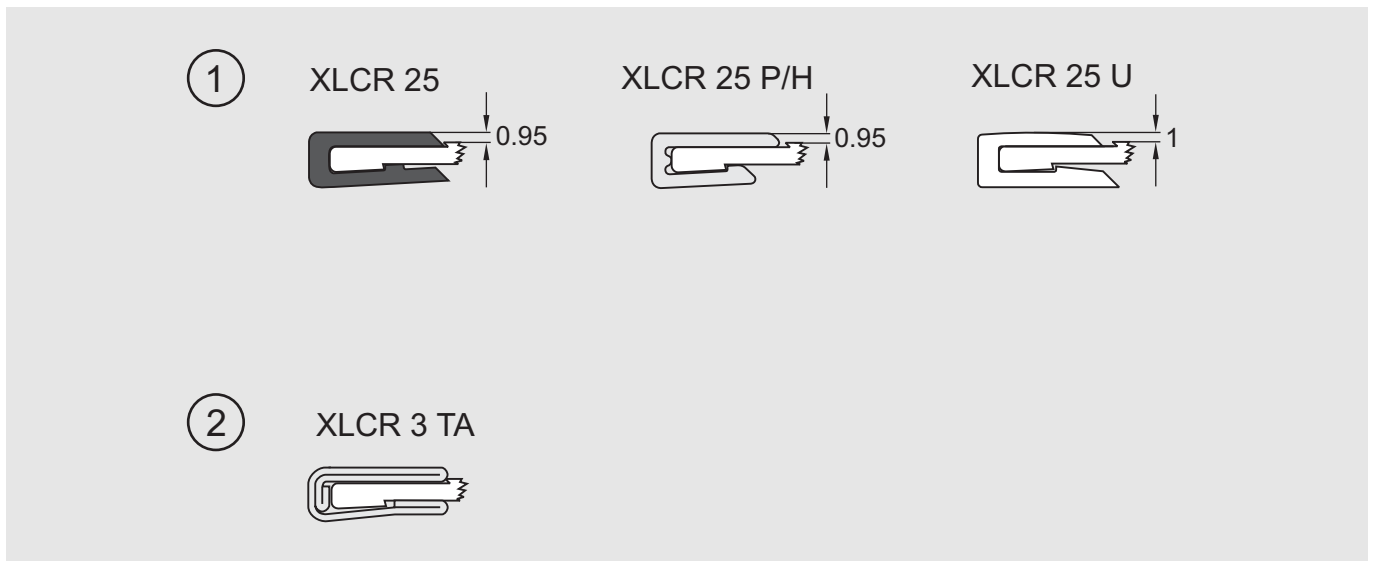
Item	Description	Part no							Recommended Spare parts
		XS	XL type A	X85	XM type A	XH type A	XK	XT	
1	Wheel disc* (upper)	3902168	5059247	5059247	5059247	5059247	3924966	5059247	
2	Wheel disc* (lower)	3902168	5059244	5059244	5059244	5059244	3924966	5059244	
3	Guides**	n.a.	5059235	5110507	5059236	5059237	n.a.	n.a.	X
4	Wheel cover	3901120	3901120	3901120	3901120	3901120	n.a.	3901120	
5	Adapter kit	n.a.	5058559	5058559	5058559	5058559	n.a.	5058559	
6	Wheel cover	5057697	5057697	5057697	5057697	5057697	n.a.	5057697	
7	Outer bend	XSBE 30R150	XLBE 30R150	XBBE 30A85R160	XMBE 30R160	XHBE 30R170	XKBE 30R200		
7	Outer bend	XSBE 45R150	XLBE 45R150	XBBE 45A85R160	XMBE 45R160	XHBE 45R170	XKBE 45R200		
7	Outer bend		XLBE 60R150		XMBE 60R160	XHBE 60R170			
7	Outer bend	XSBE 90R150	XLBE 90R150	XBBE 90A85R160	XMBE 90R160	XHBE 90R170	XKBE 90R200		
7	Outer bend	XSBE 180R150	XLBE 180R150	XBBE 180A85R160	XMBE 180R160	XHBE 180R170	XKBE 180R200		
7	Outer bend			XBBE EA85R160					
	* Including bearings								
	** One pair								

This page is intentionally left blank



Spare parts Slide rails - XH

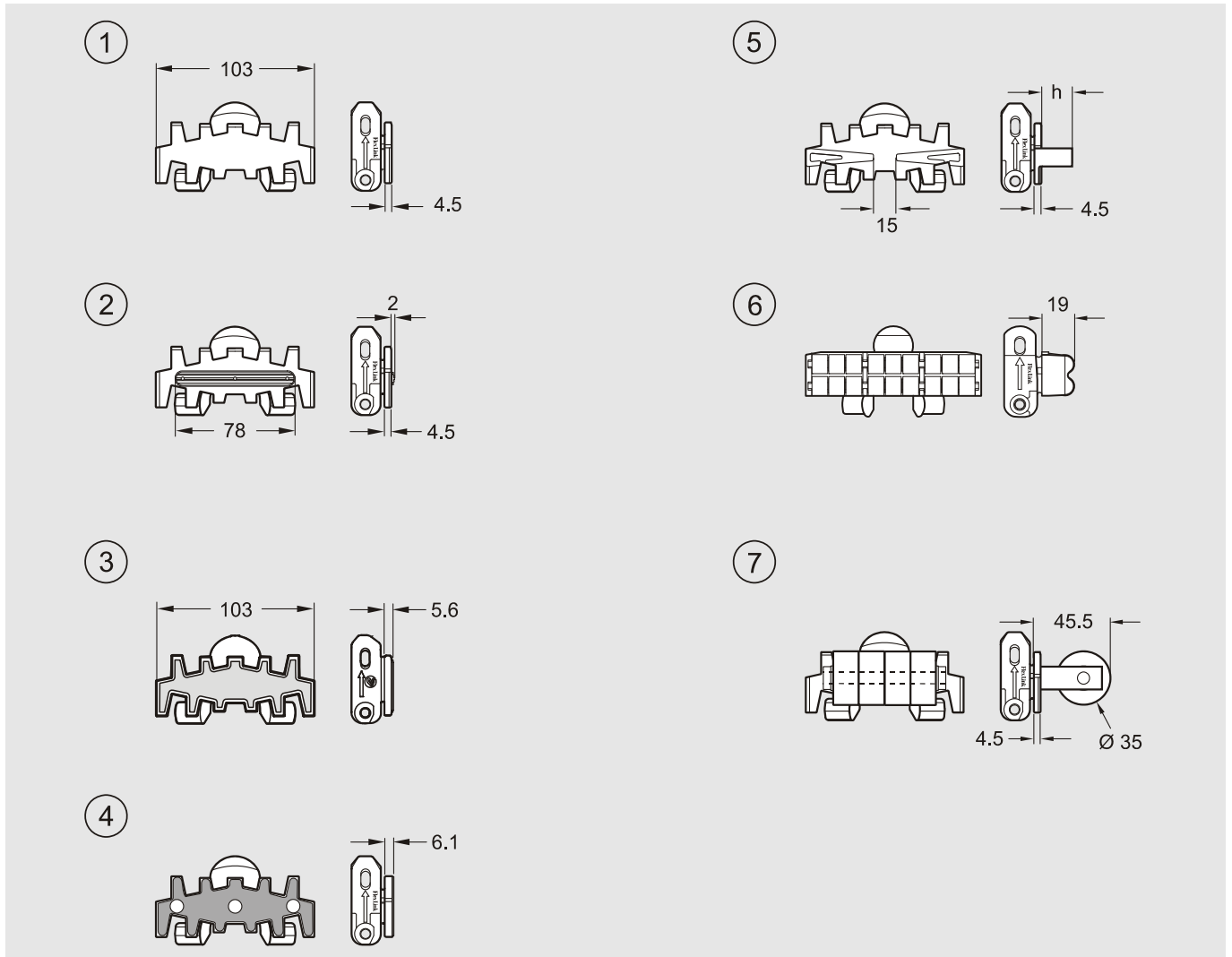
Slide rails – XH



Item	Description	Part No	Qty	Comments	Recommended Spare parts
1	Plastic slide rails for XL, XH beams				X
	HDPE (m=0,1–0,25) (Black)	XLCR 25			
	PVDF (m=0,15–0,35) (Transparent white)	XLCR 25 P			
	UHMW-PE (m=0,1–0,25) (White)	XLCR 25 U			
	PA-PE (m=0,1–0,25) (Grey)	XSCR 25 H			
2	Steel slide rail for XL, X85, XH beams				X
	Slide rail (m=0,15–0,35)	XLCR 3 TA		Acid resistant stainless steel	



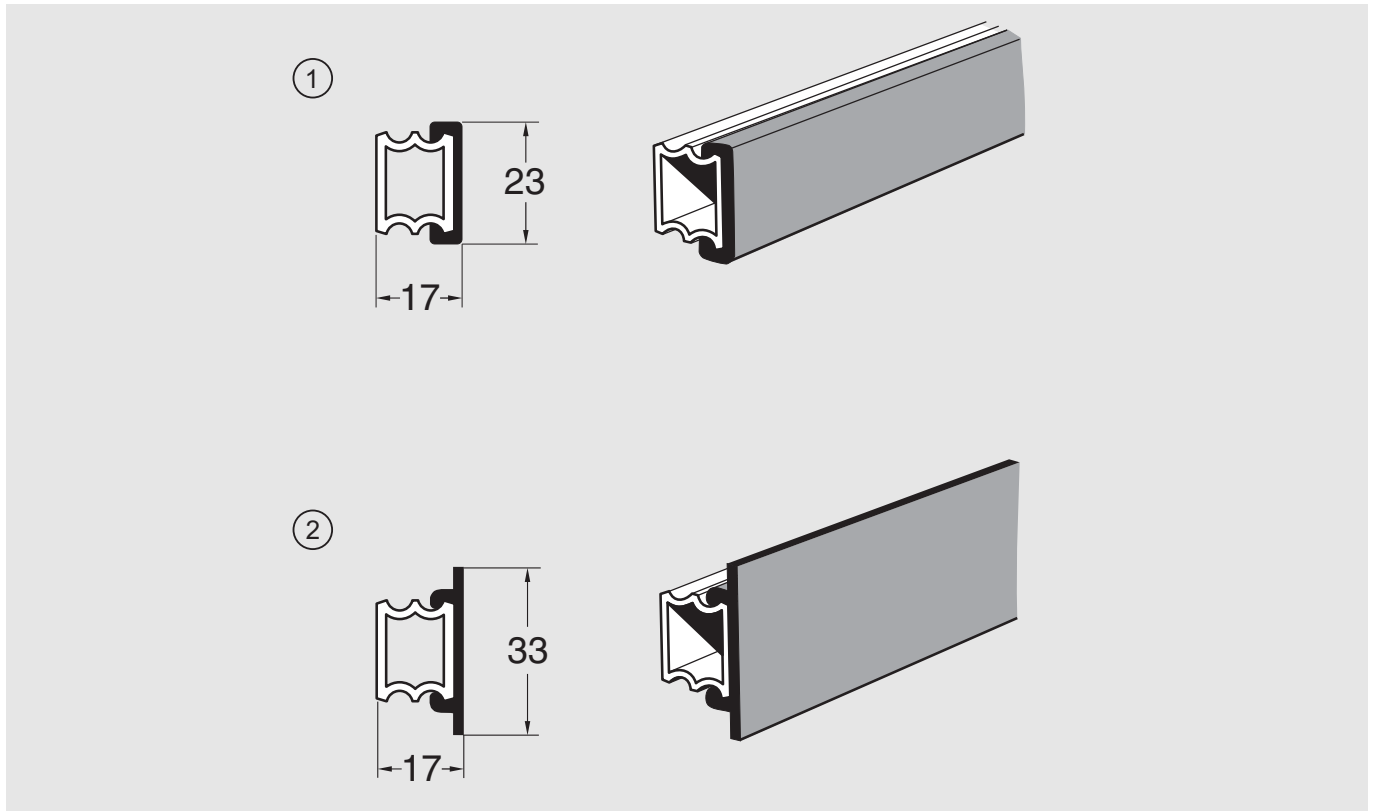
Spare parts Chains - XH



Item	Description	Part No	Qty	Comments	Recommended Spare parts (Based on previous chain in the Conveyor system)
1	Plain chain	XHTP 5			X
	Plain link kit	5056312		Link kit contains 10 links, 10 pivots, 10 steel pins	
	Plain chain, (Ultra low wear)	XHTP 5 C			
	Plain link (Ultra low wear)	n.a.			
2	Friction top chain	XHTP 5 F#		Enter cleat frequency (1–10) instead of # in product designation	X
	Friction top link kit	5056593		Link kit contains 10 links, 10 pivots, 10 steel pins	
3	Flat top friction chain	XHTP 5 FA			X
	Flat top friction link kit	5058544			
4	Steel top chain	XHTP 5 TF			X
	Steel top link kit	5056594		Link kit contains 10 links, 10 pivots, 10 steel pins	
5	Cleated chain, Type A			Enter cleat frequency (1–20) instead of # in product designation	X
	h=15 mm	XHTF 5x15 A#			
	h=20 mm	XHTF 5x20 A#			
	h=30 mm	XHTF 5x30 A#			
	h=40 mm	XHTF 5x40 A#			
	Cleated link kit				
	h=15 mm	5056595		Link kit contains 10 links, 10 pivots, 10 steel pins	
	h=20 mm	5056596		Link kit contains 10 links, 10 pivots, 10 steel pins	
	h=30 mm	5056597		Link kit contains 10 links, 10 pivots, 10 steel pins	
	h=40 mm	5056598		Link kit contains 10 links, 10 pivots, 10 steel pins	
6	Roller top chain	XHTR 5			X
	Roller top link kit	5056603		This link cannot be combined with plain links. Link kit contains 10 links, 10 pivots, 10 steel pins	
7	Chain with roller cleats	XHTF 5x46 R#		Enter cleat frequency (1–20) instead of # in product designation	X
	Link kit with roller cleats	5056604		1 link XHTL 103x46 R with pivot and steel pin	



Spare parts Guide rail cover - XH



Item	Description	Part No	Qty	Comments	Recommended Spare parts
1	Guide rail cover for 15 mm aluminium guide rail				X
	Polyethylene, length 3 m	XLRT 3×23			
	UHMW-PE, length 3 m	XLRT 3×23 U			
2	Guide rail cover, flanged, for 15 mm aluminium guide rail				X
	Polyethylene, length 3 m, flanged	XLRT 3×33 D			

Product designations in alphanumeric order

(3902527)	26	3903339	35	3924287	5	5044936	18
(3902661)	26	3904139	20	3924287	8	5044936	21
(3904234)	20	3904140	15	3924438	18	5044936	24
(3904234)	6	3904140	20	3924438	21	5044936	28
(3904299)	15	3904140	38	3924438	24	5044936	34
(3904299)	20	3904140	6	3924438	28	5044936	4
(3904312)	20	3904431	14	3924438	34	5044937	18
(3904312)	6	3904431	19	3924438	4	5044937	21
(3904313)	20	3904431	22	3924439	18	5044937	24
(3904313)	26	3904431	25	3924439	21	5044937	28
(3904313)	6	3904431	29	3924439	24	5044937	34
(3904403)	15	3904431	5	3924439	28	5044937	4
(3904403)	6	3904431	8	3924439	34	5044938	18
(3904665)	19	3904527	14	3924439	4	5044938	21
(3904665)	22	3904527	19	3924440	18	5044938	24
(3904665)	25	3904527	22	3924440	21	5044938	28
(3904665)	5	3904527	5	3924440	24	5044938	34
(3904665)	8	3904528	14	3924440	28	5044938	4
(3904666)	19	3904528	19	3924440	34	5044939	18
(3904666)	22	3904528	22	3924440	4	5044939	21
(3904666)	25	3904528	5	3924455	11	5044939	24
(3904666)	5	3905278	29	3924455	13	5044939	28
(3904666)	8	3905278	8	3924455	18	5044939	34
(3904744)	20	3905610	29	3924455	21	5044939	4
(3904744)	26	3905610	8	3924455	24	5044940	18
(3904744)	6	3920010	29	3924455	28	5044940	21
(3904745)	20	3920084	10	3924455	4	5044940	24
(3904745)	6	3920087	29	3924662	29	5044940	28
(3904746)	20	3920207	31	3924760	30	5044940	34
(3904746)	6	3920208	31	3924847	29	5044940	4
(3904855)	12	3920751	12	3924975	26	5044948	18
(3904855)	14	3920903	12	3924988	30	5044948	21
(3904855)	19	3920904	12	3924989	30	5044948	24
(3904855)	22	3921123	15	3924989	31	5044948	28
(3904855)	25	3921123	30	3925001	31	5044948	34
(3904855)	29	3921123	31	3925029	31	5044948	4
(3904855)	5	3921123	38	3925063	30	5046412	1
(3904855)	8	3921123	6	3925336	29	5046806	1
(3904862)	12	3921161	38	3925469	22	5046915	22
(3904862)	14	3921162	38	3925718	22	5046917	22
(3904862)	19	3921258	18	3926277	20	5051421	30
(3904862)	22	3921258	21	3926279	19	5051421	31
(3904862)	25	3921258	24	3926310	19	5051606	1
(3904862)	29	3921258	28	3926311	20	5053981	12
(3904862)	5	3921258	34	3927191	12	5053981	14
(3904862)	8	3921258	4	3926375	12	5053981	19
(3921163)	38	3921463	29	3926450	36	5053981	22
(3921164)	15	3921463	8	3926575	36	5053981	25
(3921164)	38	3921464	29	3926577	36	5053981	29
(3921287)	38	3921464	8	3926586	35	5053981	35
(3921684)	15	3921481	29	3926716	36	5053981	5
(3921685)	15	3921638	18	3926718	36	5053981	8
(3924634)	26	3921638	21	3926754	35	5054000	12
(3924757)	31	3921638	24	3926790	26	5054000	14
(3925066)	30	3921638	28	3926791	26	5054000	19
(3925067)	30	3921638	34	3927119	26	5054000	22
(3925673)	10	3921638	4	3927121	26	5054000	25
(3925673)	22	3921652	10	3927122	26	5054000	29
(3925718)	10	3924197	11	3927180	26	5054000	35
(3925875)	14	3924197	13	3927181	26	5054000	5
(5054657)	2	3924197	18	5044475	1	5054000	8
(6005 2RS1/C3)	15	3924197	21	5044695	22	5054003	10
(6202-2Z)	38	3924197	24	5044935	18	5055848	2
(6205 2RS1/C3)	6	3924197	28	5044935	21	5056312	48
(8x7-63)	15	3924197	4	5044935	24	5056593	48
(8x7-63)	6	3924287	12	5044935	28	5056594	48
3902723	36	3924287	14	5044935	34	5056595	48
		3924287	29	5044935	4	5056596	48

5056597	48	5111649	30	XHTF 5x20 A#	48
5056598	48	5112193	2	XHTF 5x30 A#	48
5056603	48	5112462	1	XHTF 5x40 A#	48
5056604	48	5112527	2	XHTF 5x46 R#	48
5056817	12	5112536	2	XHTP 5	48
5056817	14	5112552	2	XHTP 5 C	48
5056817	19	5112723	2	XHTP 5 F#	48
5056817	22	5112726	1	XHTP 5 FA	48
5056817	25	5113183	1	XHTP 5 TF	48
5056817	29	5113184	1	XHTR 5	48
5056817	35	5113186	1	XLCR 25	45
5056817	5	5113189	1	XLCR 25 P	45
5056817	8	5113190	1	XLCR 25 U	45
5056820	12	5113198	1	XLRT 3 TA	45
5056820	14	5117108	9	XLRT 3x23 U	49
5056820	19	XHBE 180R170	36	XLRT 3x33 D	49
5056820	22	XXHEB 0 HL/HLA	4	XSCR 25 H	45
5056820	25	XHEB 0 HLD/HLAD-	21		
5056820	29	XHEB 0 HLD/ HLAD106	18		
5056820	5	XHEB 0 XHEB 0 HLDU-	22		
5056820	8	XHEB 0 HLDU106	19		
5058544	48	XHEB 0 HLG/HLAG	13		
5111566	19	XHEB 0 HLGU	10		
5111566	22	XHEB 0 HLGU	14		
5111566	25	XHEB 0 HLJ/HLAJ	7		
5111566	5	XHEB 0 HLP/HLGP	9		
5111566	8	XHEB 0 HLU	10		
5111581	10	XHEB 0 HLU	12		
5111581	22	XHEB 0 HLU	29		
5111598	10	XHEB 0 HLU	5		
5111599	12	XHEB 0 HLU	8		
5111599	14	XHEB 0 HNLGP	39		
5111599	19	XHEB 0 HNLP	39		
5111599	22	XHEB 0 HNLP	53		
5111599	25	XHEB 0 HNRGP	39		
5111599	29	XHEB 0 HNRP	39		
5111599	5	XHEB 0 HR/HRA	4		
5111599	8	XHEB 0 HRD/ HRAD-	21		
5111600	12	XHEB 0 HRD/ HRAD106	18		
5111600	14	XHEB 0 XHEB 0 HRDU-	22		
5111600	19	XHEB 0 HRDU106	19		
5111600	22	XHEB 0 HRG/HRAG	13		
5111600	25	XHEB 0 HRGU	10		
5111600	29	XHEB 0 HRGU	14		
5111600	5	XHEB 0 HRJ/HRAJ	7		
5111600	8	XHEB 0 HRP/HRGP	9		
5111608	14	XHEB 0 HRU	10		
5111621	26	XHEB 0 HRU	12		
5111622	20	XHEB 0 HRU	29		
5111622	26	XHEB 0 HRU	5		
5111622	6	XHEB 0 HRU	8		
5111623	26	XHEC 0 HL/HLA	28		
5111625	38	XHEC 0 HR/HRA	28		
5111626	15	XHEH 0 HL/HLA	11		
5111626	38	XHEH 0 HR/HRA	11		
5111627	15	XHEJ 325	8		
5111627	20	XHER 0 HL/HLA	24		
5111627	6	XHER 0 HLU	25		
5111628	20	XHER 0 HR/HRA	24		
5111628	6	XHER 0 HRU	25		
5111629	20	XHEW 180/0 H/HA	34		
5111629	6	XHEW 180/0 HU	35		
5111630	38	XHTF 5x15 A#	48		
5111632	15				
5111632	6				
5111634	15				
5111648	31				