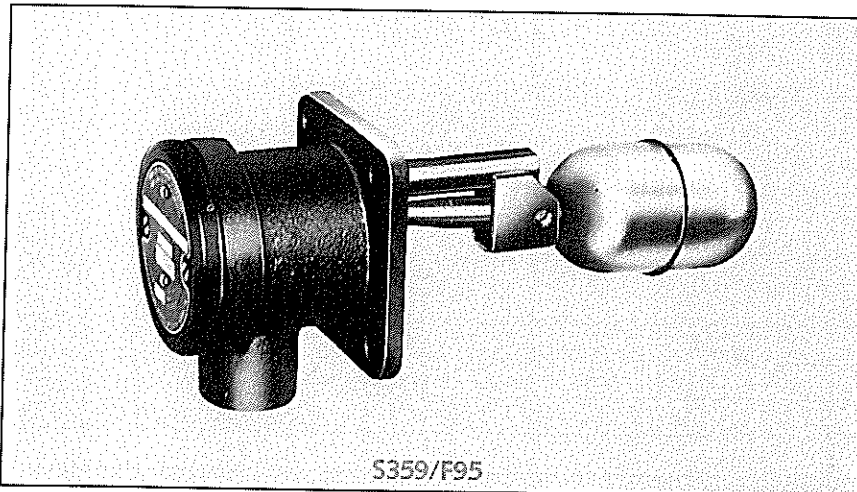


# Horizontal magnetic level switches

## Reed Models

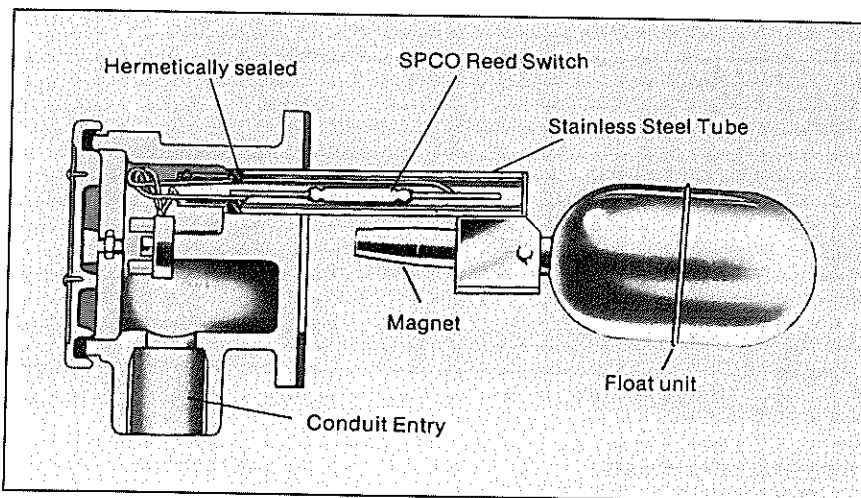


### Features

- Snap Action Switching
- Robust Construction
- Simplicity & Reliability
- National Approvals
- International Flanges

### Approvals

Types S355, S356 & S359  
BUREAU VERITAS CERTIFICATE  
no. 4360/136 A BM3  
Type S359/F95  
GERMANISCHER LLOYD  
CERTIFICATE No. 64 873 HH



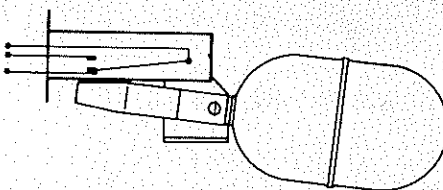
### Description

Switches comprise a float unit and flanged switch body — the float unit carries a permanent magnet. A Stainless Steel tube is fixed to the flange and encloses a single pole, mechanically biased, changeover reed switch, hermetically sealed into the Stainless Steel tube.

The switch enclosure is weather-proof and is suitable for use in damp environments.

### STANDARD SWITCH ACTION/CHARACTERISTICS

- Red — Supply
- Blue — Normally Open
- Black — Normally Closed



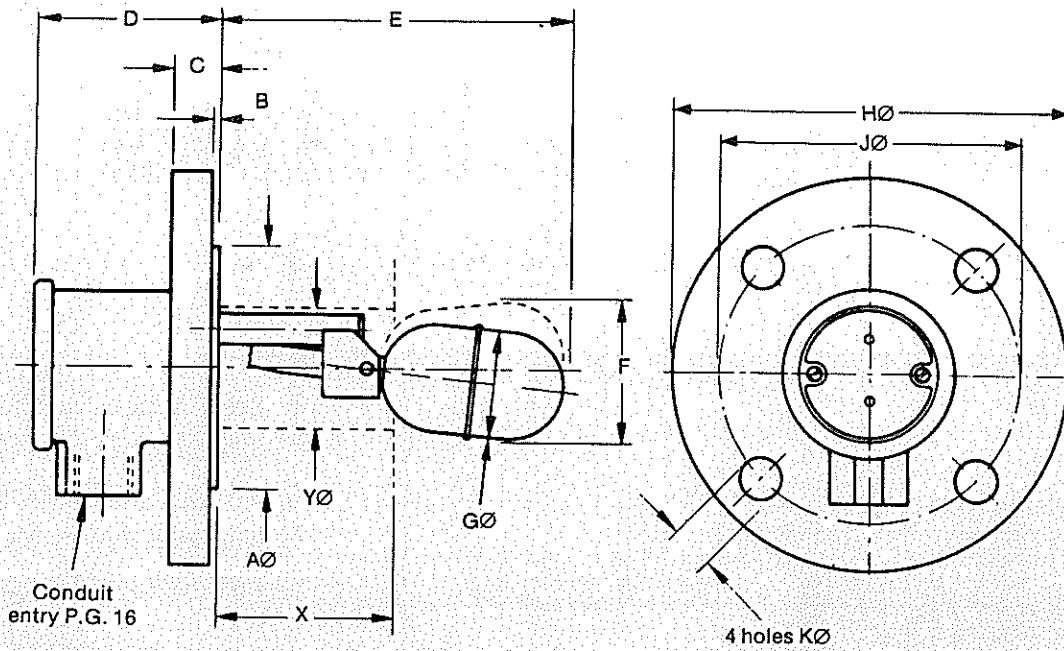
Black and Red make on falling level; Blue and Red make on rising level. Terminal connections: 6 BA screws.

The single pole changeover reed switch has the following current ratings:

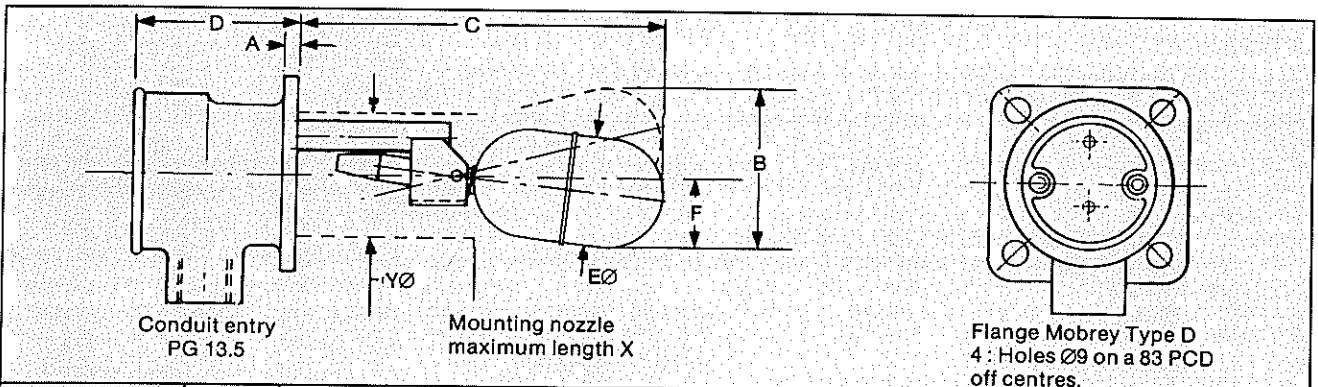
|  | A.C.          | D.C.            |
|--|---------------|-----------------|
|  | 250V 0.25A    | 100V 0.25A      |
|  | 10 VA Maximum | 10 Watt Maximum |

The Reed Switch is hermetically sealed for intrinsically safe circuitry. The switch must not be used for the direct starting of motors and the contacts should be wired in series with the relay coil of a contactor starter.

Dimensions



| Type Number | A   | B | C  | D  | E   | F  | G    | H   | J   | K  | X  | Y  |
|-------------|-----|---|----|----|-----|----|------|-----|-----|----|----|----|
| S355/F95    | 102 | 3 | 20 | 77 | 148 | 74 | 47.6 | 165 | 125 | 18 | 75 | 50 |
| S356/F95    | 122 | 3 | 20 | 77 | 148 | 74 | 47.6 | 185 | 145 | 18 | 85 | 65 |



| Type Number | A   | B  | C   | D  | E    | F  | G | X  | Y  |
|-------------|-----|----|-----|----|------|----|---|----|----|
| S359/F95    | 6.3 | 74 | 148 | 70 | 47.6 | 32 | 9 | 70 | 50 |

| Type Number | Type Flange    | Working Conditions   |                   |              |                 | Construction |                     |  |
|-------------|----------------|--|-------------------|--------------|-----------------|--------------|---------------------|--|
|             |                | Maximum Pressure Bars  | Maximum Temp ° C  | Minimum S.G. | Switch Body     | Flange       | Tube & Float        |  |
| S355/F95    | DN 50<br>PN 16 | Intermediate pressure<br>Temperatures coincide with the rating for A.F.N.O.R. E.29—283 Flange PN 16. | 15.5 at 150° C    | 0.5          | Aluminium Alloy | Carbon Steel | Stainless Steel 316 |  |
| S356/F95    | DN 65<br>PN 16 |  | 16.0 up to 120° C |              |                 |              |                     |  |
| S359/F95    | Mobrey 'D'     | 2.5 bar at 135° C<br>30 bar at 100° C  |                   |              | Cast Iron       | Cast Iron    | Cast Iron           |  |



The right is reserved to amend, without notice, details given in this publication

**BESTOBELL MOBREY**

190-196 Bath Road Slough Berkshire SL1 4DN England  
telephone Slough 34646 telex 848875

Manufacturers specialising in sensing measurement and control instrumentation for industry

Bestobell Mobrey is part of the Bestobell Group which specialises in component technologies worldwide