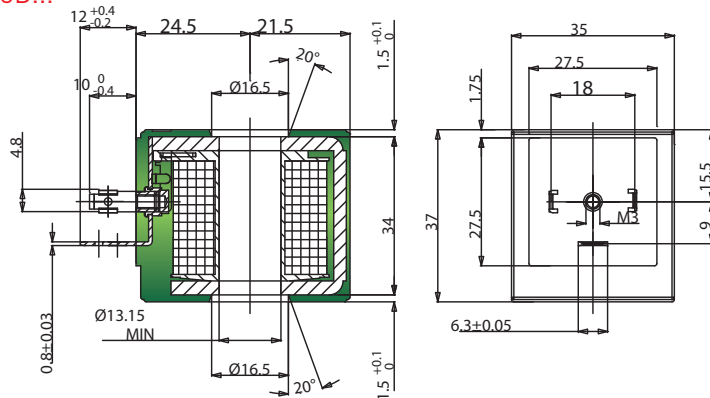


# EVI 5P/13

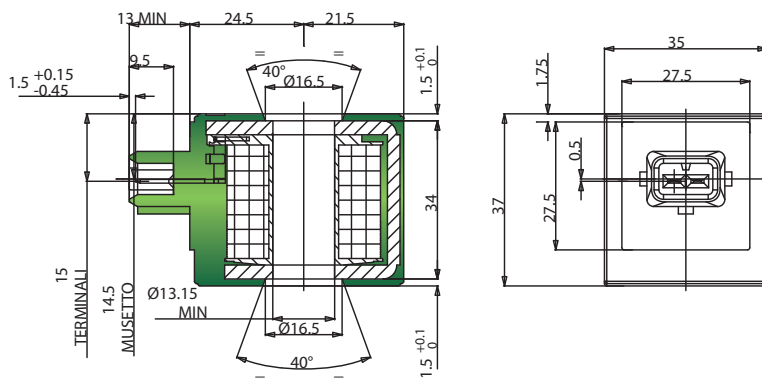
## DIN 43650 A

code 5P13D...



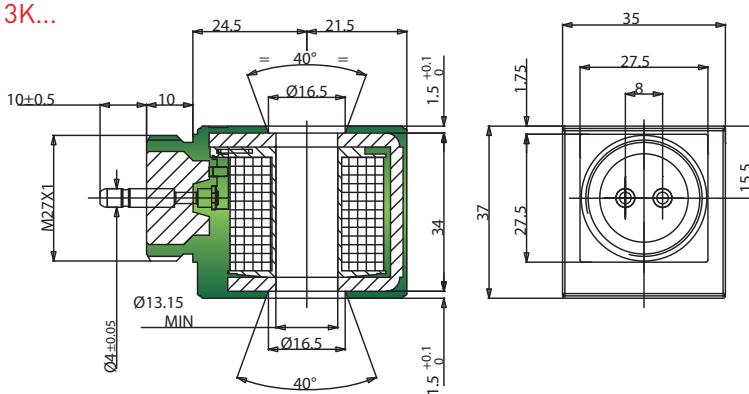
## AMP JUNIOR

code 5P13A...



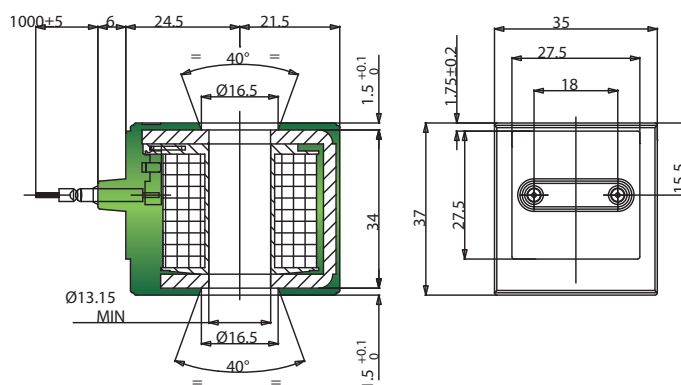
## KOSTAL M27x1

code 5P13K...

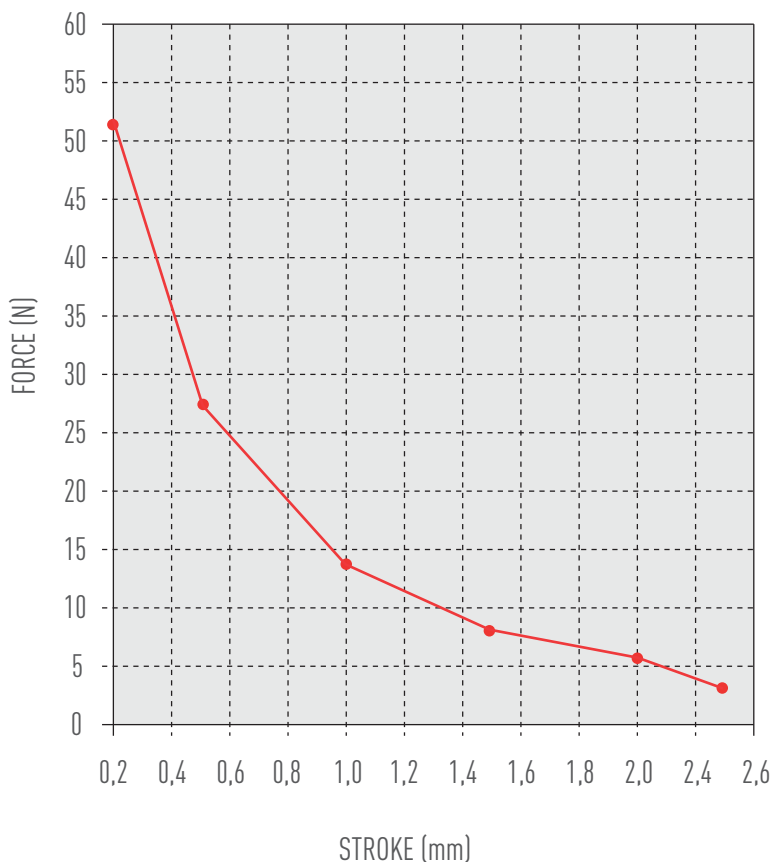


## FLYING LEADS

code 5P13C...



# EVI 5P/13



Force stroke curve at -10% nominal voltage and stabilized duty temperature. This graph has to be intended as an indication. In fact it can change according to the specific applications. **This graph is referred at 13W version.**

## EVI 5P/13

		DC		AC 50/60 Hz	
Rated power DC	W	13	17		
Inrush power AC	VA			32/27	37/31
Rated power AC	VA			19/16	22/18
Coil temperature rise	°C	55	70	45/36	55/45
Copper temperature rise	°C	85	105	86/72	100/85

Above-mentioned AC consumption have to be intended only as indicative. They may change according to the tube design solutions.

Coil type EVI 5P/13 is suitable for pneumatics and hydraulics.

### TECHNICAL DATA:

**Power:** 13 Watt (pneumatic std) 17 Watt (hydraulic std)  
**Force:** see the graph  
**Duty Cycle:** 100% ED (continuous) at power and temperatures indicated  
**Standard operating voltages:** 12-24 VDC 24-110-230 VAC  
 Other voltages on request  
**Operating voltage range:**  
 max: 10% over the nominal voltage  
 min: according to the specific application  
**Operating temperature range:** -20°C ÷ +50°C  
**Coil insulation:** class F

### GENERAL CONSTRUCTION:

According to EN 60204.1 and DIN VDE 0580

### MATERIALS:

Wire class H200°C  
 Encapsulant: glass filled Polyamide 6.6  
 Other materials on request

### ELECTRICAL CONNECTIONS:

**Degree of protection:** IP 54 (EN 60529)

With connector and suitable seals it can reach:

DIN 43650A	IP65
FLYING LEADS	IP67
KOSTAL M27x1 integrated	IP67
AMP JUNIOR integrated	IP65

**DICHIARAZIONE DI CONFORMITA'**  
**DECLARATION OF CONFORMITY**

Noi: AMISCO S.p.A.  
 Via Piaggio, 70  
 I 20037 Paderno D. MI - ITALY

dichiariamo sotto la nostra responsabilità che il prodotto:  
 declare under our sole responsibility that the product:

---

Bobina tipo: **EVI 5P13** ( $V_{nom}$  = fino a 240V  $P_{nom}$  = fino a 17W[DC] o 21VA[AC]) (1)  
 $T_{amb}$  = fino a 50°C  
 Coil type: **EVI 5P13** ( $V_{nom}$  = up to 240V  $P_{nom}$  = up to 17W [DC] or 21VA[AC]) (1)  
 $T_{amb}$  = up to 50°C

---

(1)  $V_{nom}$  = tensione nominale  $P_{nom}$  = potenza nominale  $T_{amb}$  = temperatura ambiente  
 Tolleranza sui valori nominali: ± 10%  
 Tipo di connessione e altre informazioni sono reperibili sul Catalogo AMISCO  
 (2)  $V_{nom}$  = nominal voltage  $P_{nom}$  = nominal power  $T_{amb}$  = ambient temperature  
 Tolerance range on nominal values: ± 10%  
 Type of connection and other information are on Amisco's Catalogue

a cui si riferisce questa dichiarazione, è conforme a quanto richiesto dalla seguente direttiva:  
 to which this declaration relates, is in conformity with the provisions of the following directive:

**2006/95/CE**  
 2006/95/CE

---

con riferimento a quanto applicabile delle seguenti norme:  
 with reference (if applicable) to the following standards:

**EN 60204.1 - VDE 0580 [ed.2000]**

Paderno D. no, 26 Ottobre 2009  
 Paderno D. no, 26 October 2009

Dott. Cesare Novellone  
 Direttore Tecnico

I dati riportati sui Cataloghi Amisco e tutte le misure preventive necessarie al fine di evitare eventuali incidenti devono essere osservati, durante l'installazione e l'utilizzo del prodotto. Questa dichiarazione perde la sua validità se il cliente o parti terze apportano modifiche o riparazioni o/o fanno un uso improprio del prodotto.

The data supplied in AMISCO Catalogues are to be consulted, and preventive accident prevention regulations are to be followed during product installation and use. Any unauthorized work performed by purchaser or by third parties can require its functions, and release AMISCO of all warranty claims and liability for any resulting damage.

The specifications and drawings contained herein are believed to be correct and are given in good faith, however no liability is accepted therefore. Manufacturer reserves the right to modify said specifications and drawings without notice for technical or commercial reasons.