



Clean cooling air

Air flow management	8
EMC shielding	10
Filters & Fan filters	11
– Products overview	14
– FF series	16
– FPF series	47
– GF series	69
Roof exhaust units	75
– TP series	76
– T series	79
Orientable fan	81
Accessories	82

viridis
fan filters

Most of our products are available
in the industrial engineering software:



Air flow management

Increasingly often, the causes behind malfunctions or faults in electrical and electronic equipment housed in control panels or fitted as an integral part of a machine, are due to heat problems. In reality, the life span of components depends on the temperature and level of humidity inside the electrical cabinet. The normal recommended average operating temperature inside a cabinet is 35°C with relative humidity of no more than 60%.

Fandis offers a wide range of solutions for efficiently disposing of dissipated heat from electrical components suitable for different applications.

NATURAL CONVECTION



The use of exhaust filter ensures the passage of air and the removal of heat in a natural manner. This solution can be considered for dissipating low level of heat in dusty environments.

FORCED CONVECTION



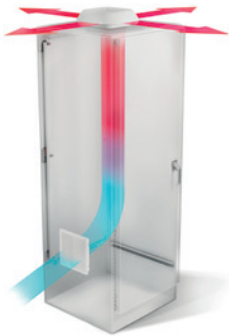
Forced ventilation is an inexpensive and efficient solution for preventing the formation of air pockets inside electrical cabinets. The best configuration includes fitting a fan filter to an exhaust filter.

The fan filter positioned at the bottom of the cabinet, takes in and filters air from the outside (standard air flow) while the exhaust filter at the top expels hot air. The pressure generated by the ventilation prevents unfiltered air from entering through holes or openings.



An inverted air flow version - reverse flow - is also available (fan filter at top and exhaust filter at bottom).

The system can be controlled by a thermostat that turns the fan on when high temperatures are detected.



Hot air can also be expelled from the roof of the cabinet if, for instance, the sides of the cabinet are covered by obstacles, walls or by the sides of other cabinets. In a perfect configuration, an exhaust filter is positioned at the bottom of the cabinet. The lower pressure generated by the roof unit sucks in air from the outside through the exhaust filter to enhance internal air flow and the dissipation of heat.



The use of a swivelling fan is an alternative solution for a better air circulation inside the electrical cabinet.

This fan distributes heat to reduce the temperature, cools local hot spots and disperses cold air emitted by cooling units.

EMC shielding



Electromagnetic compatibility, or EMC, relates to the unintentional generation or reception of electromagnetic energy that may lead to electromagnetic interference with a component or item of equipment. By incorporating EMC into electrical component design, electronics engineers can ensure the long-term stability and lifespan of multiple electrical components operating within a given space.

The EMC shielding of an enclosure guarantees both limited radiated emissions and protects internal components from external sources of interference.

Fandis EMC filters and fan filters are designed to prevent the weakening of the shielding effect in enclosures with a high level of protection, even with cutouts, and to maintain this status.



FAN FILTERS

Fan filters are a practical solution for removing heat from the cabinet. They channel filtered ambient air into the enclosure, expelling warm internal air through an exhaust filter or roof unit to reduce temperatures and protect electronic components from overheating.

Fandis offers three different series of fan filters to better satisfy various cooling and ventilation requirements.

■ FF SERIES



TIME-SAVING INSTALLATION

Quick tool-less mounting system with clips for 1 to 3.7mm thick plates

■ QUICK CONNECTION

Cage clamp free-tool wiring system

■ IP55 AND TYPE 3R (OPTIONAL)

Ideal for indoor or outdoor use in harsh industrial environments

■ EMC-COMPATIBLE

Metal shielding for electromagnetic protection

SLIDE OPENING

Easy replacement of the filter media without the need of tools

■ COLORS

Custom RAL colors subject to minimum order



■ Details that make the difference



■ **FPF SERIES**

FPF fan filters are the first series of Fandis filtering solutions for enclosures. These units have a low external profile to avoid obstruction and are easy to mount on standard panel cutouts with a fast snap-on assembly. An integrated sealing gasket also provides secure dust and water protection.



QUICK INSTALLATION
Snap-mounting system with elastic hooks



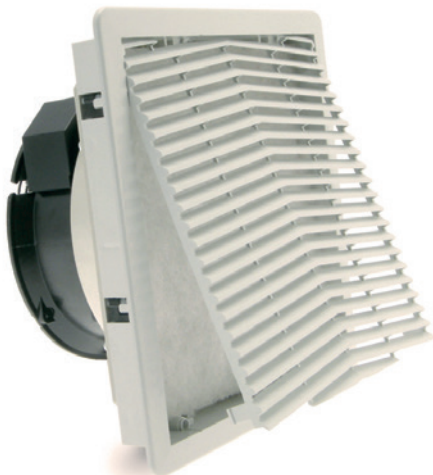
EMC-COMPATIBLE
Metal shielding for electromagnetic protection

IP55 PROTECTION (OPTIONAL)
Ideal for harsh ambient condition in industrial applications

■ **GF SERIES FAN FILTERS**

The GF fan filter range is characterized by an innovative mounting system with jacks, which accommodate both plastic and plate enclosures with thick wall applications.

This series has the advantage of a fast outer installation, without extra drilling, and an easy filter replacement through the original hinged protection guard.



FIXING WITH JACKS
Patented system for thick wall applications in both plastic and plate enclosures (up to 16mm)



HINGED OPENING
Easy tool-less replacement of the filter media through the hinged protection guard

Model numbering system for FF SERIES

description	FF 15 P A 230 U N R 5 C 1 O -SXX	description
FAMILY FF		CUSTOM SERIES SXX = custom version
DIMENSION CODE 08 - 107 x 107 12 - 150 x 150 13 - 204 x 204 15 - 250 x 250 20 - 325 x 325		FILTER () = with filter mat O = without filter mat
FAN SIZE P = small M = medium G = large GE = large with plastic adaptor () = standard		VERSION
VOLTAGE A = a.c. voltage D = d.c. voltage		EMC C = EMC shielded
RATED VOLTAGE 115 = 115 Va.c. 230 = 230 Va.c. 400T = 400 3~ 24 = 24 Vd.c. 48 = 48 Vd.c.		IP PROTECTION 5 = IP55
COLOUR R = grey RAL 7032 U = grey RAL 7035 N = black RAL 9005		AIR FLOW DIRECTION () = standard flow R = reverse flow
		FAN SUPPLIER N = NMB internal fan F = Fandis internal fan E = Ecofit internal fan

Model numbering system for FPF SERIES

description	FPF 15K P R 230 BE (R) -110	description
FAMILY FPF		SERIES 100... = standard S** = custom
DIMENSION CODE Standard version 08K 12K 13K 15K 20K		OPTIONS () = Type 12 and IP54 protected 5 = IP55 protected R = Reverse flow Type 12 O = Type 1 protected C = EMC shielded N = Type 3R protected
FAN SIZE P = small () = standard M = medium G = large		VERSION B BE
COLOUR R = grey RAL 7032 U = grey RAL 7035 N = black RAL 9005		VOLTAGE G = no voltage 400T = 400 3~ 24 = 24 Va.c. D12 = 12 Vd.c. 115 = 115 Va.c. D24 = 24 Vd.c. 230 = 230 Va.c. D48 = 48 Vd.c.

Model numbering system for GF SERIES

description	GF 15K P U 230 BE (R) -110	description
FAMILY GF		SERIES 100... = standard S** = custom
DIMENSION CODE Standard version 12K 15K 20K		OPTIONS () = Standard R = Reverse flow
FAN SIZE P = small () = standard G = large		VERSION B BE
COLOUR U = grey RAL 7035 other colours on request		VOLTAGE G = no voltage 400T = 400 3~ 24 = 24 Va.c. D12 = 12 Vd.c. 115 = 115 Va.c. D24 = 24 Vd.c. 230 = 230 Va.c. D48 = 48 Vd.c.

PRODUCTS OVERVIEW FF SERIES						
Model	Dimensions	Cut-out	Voltage	Air Flow	Approvals	Page
	mm	mm	V	m ³ /h		
FF08	107X107	91.5X91.5			CE; cURus; cCSAus	16
FF08AF	107X107	91.5X91.5	230 Va.c.	10 ÷ 13	CE	19
FF08AN	107X107	91.5X91.5	115/230 Va.c.	12 ÷ 21	CE; cURus; cCSAus	20
FF08DF	107X107	91.5X91.5	48 Vd.c.	12	CE	21
FF08DN	107X107	91.5X91.5	12/24 Vd.c.	16 ÷ 23	CE; cURus; cCSAus	21
FF08GAF	107X107	92.5X92.5	115/230 Va.c.	22 ÷ 26	CE; cURus; cCSAus	22
FF08GAN	107X107	92.5X92.5	115/230 Va.c.	16 ÷ 20	CE; cURus; cCSAus	22
FF08GDF	107X107	92.5X92.5	48 Vd.c.	48	CE	23
FF08GDN	107X107	92.5X92.5	24 Vd.c.	50 ÷ 60	CE; cURus; cCSAus	23
FF12	150X150	124X124			CE; cURus; cCSAus	16
FF12A24	150X150	124X124	24 Va.c.	39 ÷ 52	CE	24
FF12AF	150X150	124X124	115/230 Va.c.	45 ÷ 52	CE; cURus; cCSAus	25
FF12AN	150X150	124X124	115/230 Va.c.	60 ÷ 79	CE; cURus; cCSAus	26
FF12DN	150X150	124X124	24/48 Vd.c.	47 ÷ 64	CE; UR; cCSAus	27
FF13	204X204	177X177			CE; cURus; cCSAus	16
FF13PAF	204X204	177X177	115/230 Va.c.	100 ÷ 110	CE; cURus; cCSAus	28
FF13PAN	204X204	177X177	115/230 Va.c.	110 ÷ 135	CE; cURus; cCSAus	29
FF13PD	204X204	177X177	24 Vd.c.	100 ÷ 120	CE; cURus; cCSAus	30
FF15	250X250	223X223			CE; cURus; cCSAus	16
FF15AF	250X250	223X223	115/230 Va.c.	230 ÷ 290	CE; cURus; cCSAus	31
FF15AN2	250X250	223X223	115/230 Va.c.	230 ÷ 283	CE; cURus; cCSAus	32
FF15DF	250X250	223X223	24/48 Vd.c.	275 ÷ 310	CE; cURus; cCSAus	33
FF15DN	250X250	223X223	24/48 Vd.c.	225 ÷ 255	CE; cURus; cCSAus	34
FF15MA	250X250	223X223	115/230 Va.c.	130 ÷ 155	CE	35
FF15PAF	250X250	223X223	115/230 Va.c.	105 ÷ 120	CE; cURus; cCSAus	36
FF15PAN	250X250	223X223	115/230 Va.c.	125 ÷ 150	CE; cURus; cCSAus	37
FF15PD	250X250	223X223	24/48 Vd.c.	140 ÷ 150	CE; cURus; cCSAus	38
FF20	325X325	291X291			CE; cURus; cCSAus	16
FF20A	325X325	291X291	115/230 Va.c.	445 ÷ 595	CE	39
FF20A	325X325	291X291	400 V 3~	510	CE	40
FF20A1	325X325	291X291	115/230 Va.c.	445 ÷ 590	CE; cURus; cCSAus	41
FF20GA	325X325	291X291	115/230 Va.c.	705 ÷ 870	CE	42
FF20GAA	325X325	291X291	115/230 Va.c.	820 ÷ 960	CE	43
FF20GA1	325X325	291X291	115/230 Va.c.	675 ÷ 860	CE; cURus; cCSAus	44
FF20GAA1	325X325	291X291	115/230 Va.c.	820 ÷ 998	CE; cURus; cCSAus	45
FF20GEA	325X325	291X291	400 V 3~	485 ÷ 695	CE	46

PRODUCTS OVERVIEW FPF SERIES

Model	Dimensions	Cut-out	Voltage	Air Flow	Approvals	Page
	mm	mm	V	m³/h		
FPF08	105X105	91.5X91.5			CE; cURus	47
FPF08K	105X105	91.5X91.5	115/230 Va.c.	23 ÷ 30	CE; cURus	49
FPF08KD	105X105	91.5X91.5	12/24 Vd.c.	15 ÷ 20	CE; cURus	50
FPF12	150X150	125X125			CE; cURus	47
FPF12K	150X150	125X125	24/115/230 Va.c.	57 ÷ 61	CE; cURus	51
FPF12KD	150X150	125X125	24/48 Vd.c.	60 ÷ 60	CE; cURus	52
FPF13	204X204	177X177			CE; cURus	47
FPF13K	204X204	177X177	115/230 Va.c.	120 ÷ 135	CE; cURus	53
FPF13KP	204X204	177X177	115/230 Va.c.	110 ÷ 120	CE; cURus	54
FPF13KPD	204X204	177X177	24 Vd.c.	120 ÷ 120	CE; cURus	55
FPF15	250X250	223X223			CE; cURus	47
FPF15K	250X250	223X223	115/230 Va.c.	240 ÷ 270	CE; cURus	56
FPF15KD	250X250	223X223	24/48 Vd.c.	250 ÷ 250	CE; cURus	57
FPF15KG	250X250	223X223	115/230 Va.c.	360 ÷ 400	CE; cURus	58
FPF15KM	250X250	223X223	115/230 Va.c.	130 ÷ 150	CE; cURus	60
FPF15KP	250X250	223X223	115/230 Va.c.	115 ÷ 125	CE; cURus	61
FPF15KPD	250X250	223X223	24/48 Vd.c.	145 ÷ 145	CE; cURus	62
FPF20	325X325	291X291			CE; cURus	47
FPF20K	325X325	291X291	115/230/400 Va.c.	520 ÷ 580	CE; cURus	63
FPF20KG B	325X325	291X291	115/230/400 Va.c.	650 ÷ 745	CE; cURus	65
FPF20KG BE	325X325	291X291	115/230/400 Va.c.	660 ÷ 745	CE; cURus	67

PRODUCTS OVERVIEW GF SERIES

Model	Dimensions	Cut-out	Voltage	Air Flow	Approvals	Page
	mm	mm	V	m³/h		
GF12	150x150	125x125			CE	69
GF12K BE	150x150	125x125	230 Va.c.	42 ÷ 53	CE	70
GF12KD B	150x150	125x125	24 Vd.c.	46 ÷ 55	CE	71
GF15	250x250	223x223			CE	69
GF15K BE	250x250	223x223	115/230 Va.c.	224 ÷ 290	CE	72
GF15KP BE	250x250	223x223	230 Va.c.	118 ÷ 132	CE	73
GF20	325x325	290x290			CE	69
GF20KG B	325x325	290x290	230 Va.c.	583 ÷ 680	CE	74
GF20K BE	325x325	290x290	230 Va.c.	475 ÷ 535	CE	74

General specifications



- Mounting without screws in square openings as indicated in the cut-out diagram
- Plate thickness: FF08 from 1 to 2mm; FF12, FF13 from 1.3 to 3.2mm; FF15, FF20 from 1.3 to 3.7mm (up to 4mm with cut-out max tolerance)
- Plastic parts in PC/ABS alloy, except elastic clips, made in PA66 GF13HSL
- Standard color RAL 7035, other colors available on request, subject to quantity
- Permanent sealing gasket in polyurethane foam
- Filter media in thermo-linked progressive structure synthetic fibre
 - filter class G3 (optionally filter class G4), according to EN 779
- Filter media can be cleaned, up to 10 times by washing, blowing dry and lightly beating
- IP55, Type1, 3R and EMC versions on request
- UL approval according to UL 508 and CSA approval according to CSA/CAN 22.2 No. 14

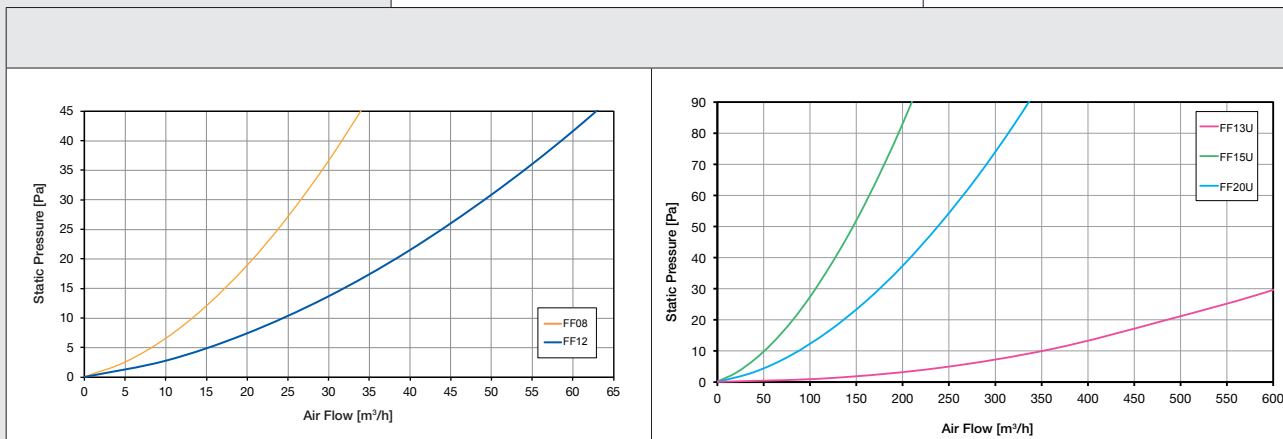
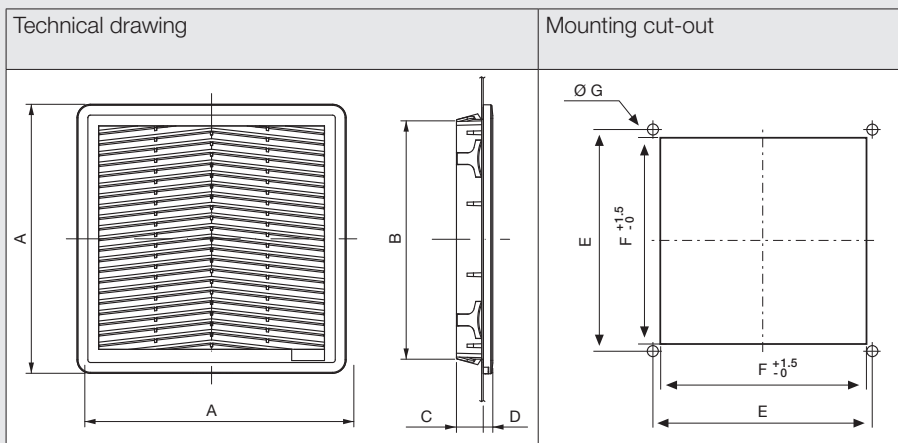


- ▶ Clip mounting system
- ▶ Easy media replacement
- ▶ Low profile

Technical data

Model	A	B	C	D	E	F	G	Weight	Approvals
	mm	mm	mm	mm	mm	mm	mm	Kg	
FF08U	107	91.5	16.5	6.7	95	91.5	1.8	0.1	CE; cURus; cCSAus;
FF12U	150	124	21.5	7.7	131	124	4.5	0.2	CE; cURus; cCSAus;
FF13U	204	176	21.5	8	185	177	4.5	0.33	CE; cURus; cCSAus;
FF15U	250	223	24.9	8.9	230	223	4.5	0.57	CE; cURus; cCSAus;
FF20U	325	291	24.5	9.5	302	291	4.5	0.98	CE; cURus; cCSAus;

Technical specifications





General specifications

- Mounting without screws in square openings as indicated in the cut-out diagram
- Plate thickness: FF12, FF13 from 1.3 to 3.2mm; FF15, FF20 from 1.3 to 3.7mm (up to 4mm with cut-out max tolerance)
- Plastic parts in PC/ABS alloy, except elastic clips, made in PA66 GF13HSL
- Standard color RAL 7035, other colors available on request, subject to quantity
- Permanent sealing gasket in polyurethane foam
- Filter media in thermo-linked progressive structure synthetic fibre
 - filter class G3 (optionally filter class G4), according to EN 779
- Filter media can be cleaned, up to 10 times by washing, blowing dry and lightly beating
- Type1, 3R and EMC versions on request
- UL approval according to UL 508 and CSA approval according to CSA/CAN 22.2 No. 14

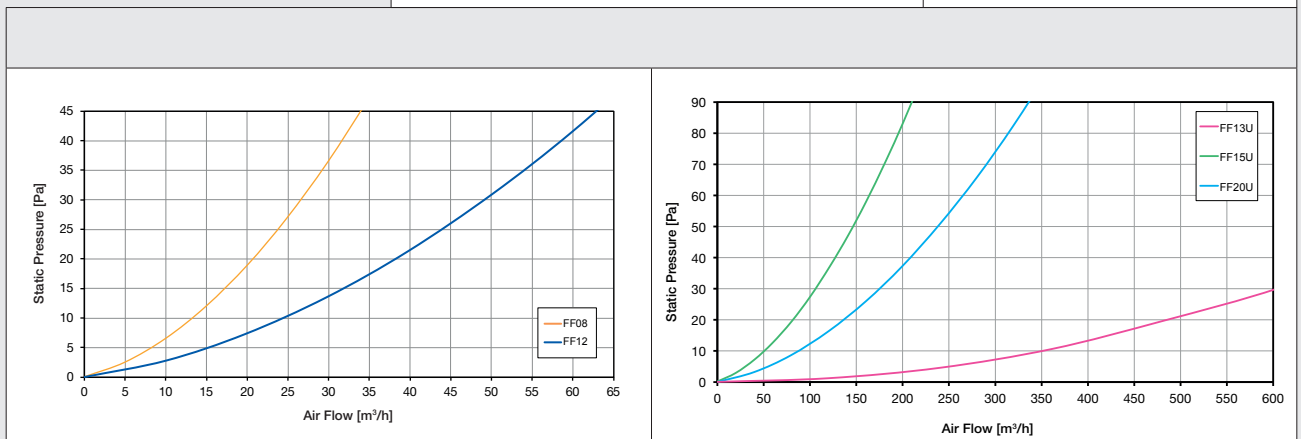
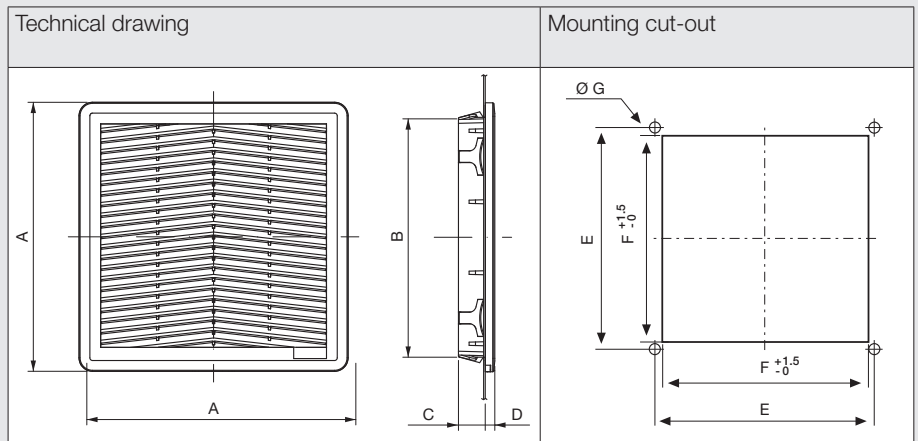


- ▶ Clip mounting system
- ▶ Easy media replacement
- ▶ Low profile

Technical data

Model	A	B	C	D	E	F	G	Weight	Approvals
	mm	mm	mm	mm	mm	mm	mm	Kg	
FF12U5	150	124	21.5	7.7	131	124	4.5	0.2	CE; cURus; cCSAus;
FF13U5	204	176	21.5	8	185	177	4.5	0.33	CE; cURus; cCSAus;
FF15U5	250	223	24.9	8.9	230	223	4.5	0.58	CE; cURus; cCSAus;
FF20U5	325	291	24.5	9.5	302	291	4.5	0.99	CE; cURus; cCSAus;

Technical specifications





General specifications

- Mounting without screws in square openings as indicated in the cut-out diagram
- Plate thickness: FF08 from 1 to 2mm; FF12, FF13 from 1.3 to 3.2mm; FF15, FF20 from 1.3 to 3.7mm (up to 4mm with cut-out max tolerance)
- Plastic parts in PC/ABS alloy, except elastic clips, made in PA66 GF13HSL
- Standard color RAL 7035, other colors available on request, subject to quantity
- Permanent sealing gasket in polyurethane foam
- Filter media in thermo-linked progressive structure synthetic fibre
 - filter class G3 (optionally filter class G4), according to EN 779
- Filter media can be cleaned, up to 10 times by washing, blowing dry and lightly beating
- IP55, Type1 and 3R versions on request
- UL approval according to UL 508 and CSA approval according to CSA/CAN 22.2 No. 14



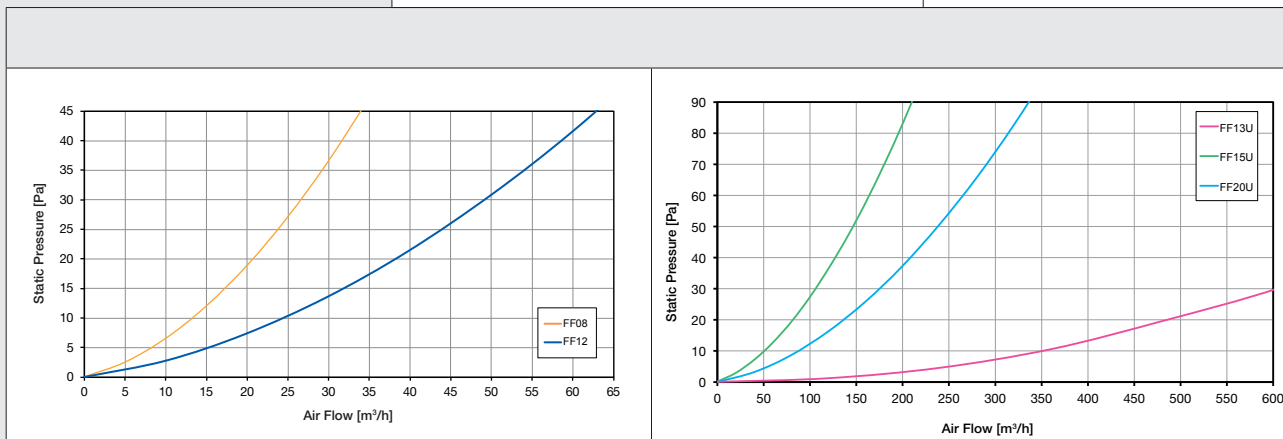
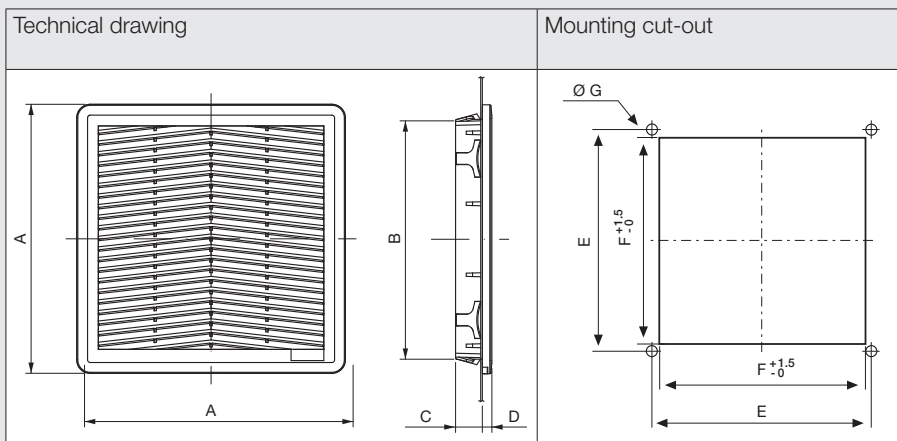
- ▶ Electromagnetic radiation protection
- ▶ Clip mounting system

- ▶ Low profile
- ▶ Easy media replacement

Technical data

Model	A	B	C	D	E	F	G	Weight	Approvals
	mm	mm	mm	mm	mm	mm	mm	Kg	
FF08UC	107	91.5	16.5	6.7	95	91.5	1.8	0.1	CE; cURus; cCSAus;
FF12UC	150	124	21.5	7.7	131	124	4.5	0.21	CE; cURus; cCSAus;
FF13UC	204	176	21.5	8	185	177	4.5	0.33	CE; cURus; cCSAus;
FF15UC	250	223	24.9	8.9	230	223	4.5	0.61	CE; cURus; cCSAus;
FF20UC	325	291	24.5	9.5	302	291	4.5	1.01	CE; cURus; cCSAus;

Technical specifications



General specifications



- Mounting without screws in square openings as indicated in the cut-out diagram
- Plate thickness from 1 to 2mm
- Plastic parts in PC/ABS alloy, except elastic clips, made in PA66 GF13HSL
- Standard color RAL 7035, other colors available on request, subject to quantity
- Permanent sealing gasket in polyurethane foam
- Filter media in thermo-linked progressive structure synthetic fibre
- filter class G3, according to EN 779
- Filter media can be cleaned, up to 10 times by washing, blowing dry and lightly beating
- Type1, 3R and EMC versions on request

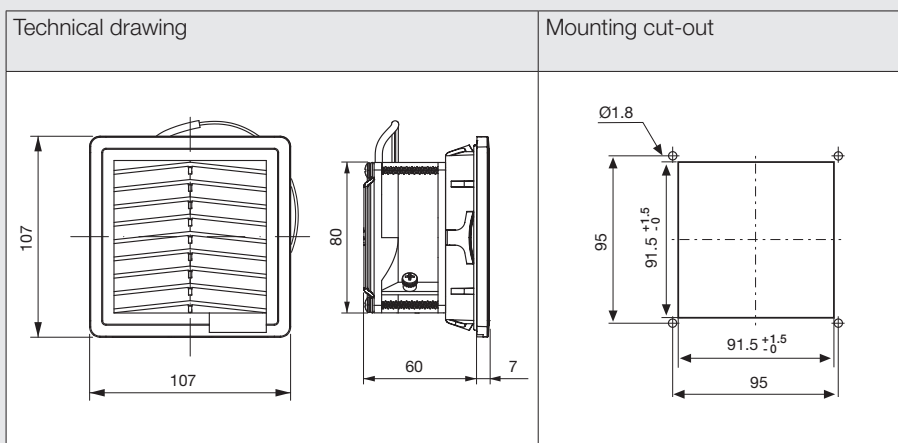


- ▶ Clip mounting system
- ▶ Easy media replacement
- ▶ Low profile

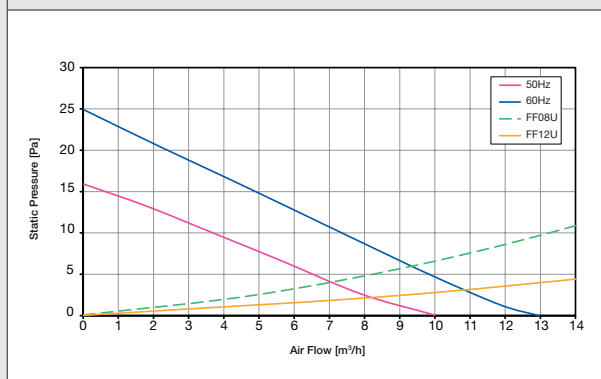
Technical data

Model	Rated Voltage	Freq.	Rated Current	Rated power	Max air flow	Static Pressure	Noise	Weight	Working Temp. Range	Approvals
	V	Hz	A	W	m³/h	Pa	dB(A)	Kg	°C	
FF08A230UF	230 V a.c.	50/60	0.085/0.071	14/11	10/13	16/25	32.0/36.0	0.44	-10 ÷ +70	CE;

Technical specifications



Standard flow



General specifications



- Mounting without screws in square openings as indicated in the cut-out diagram
- Plate thickness from 1 to 2mm
- Plastic parts in PC/ABS alloy, except elastic clips, made in PA66 GF13HSL
- Standard color RAL 7035, other colors available on request, subject to quantity
- Permanent sealing gasket in polyurethane foam
- Filter media in thermo-linked progressive structure synthetic fibre
 - filter class G3, according to EN 779
- Filter media can be cleaned, up to 10 times by washing, blowing dry and lightly beating
- Type1, 3R and EMC versions on request
- UL approval according to UL 508 and CSA approval according to CSA/CAN 22.2 No. 14

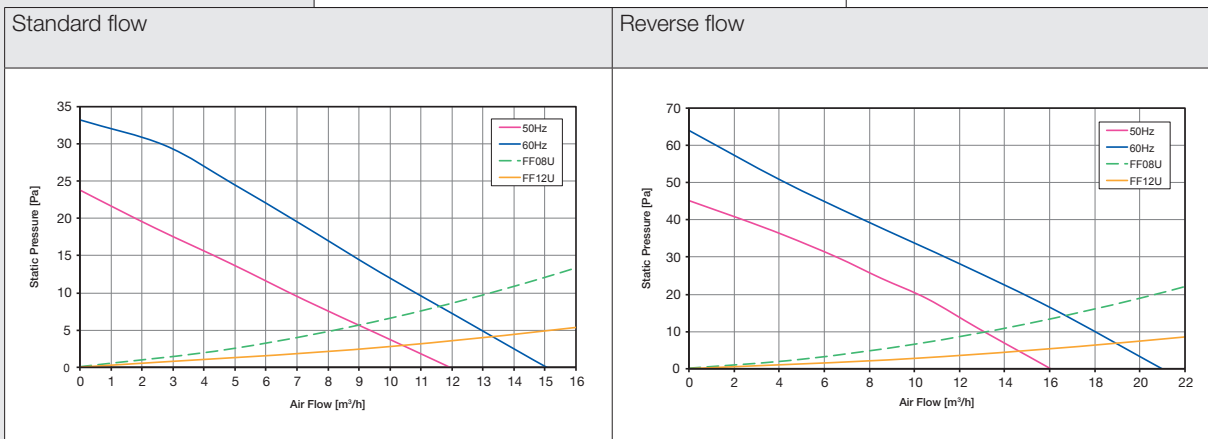
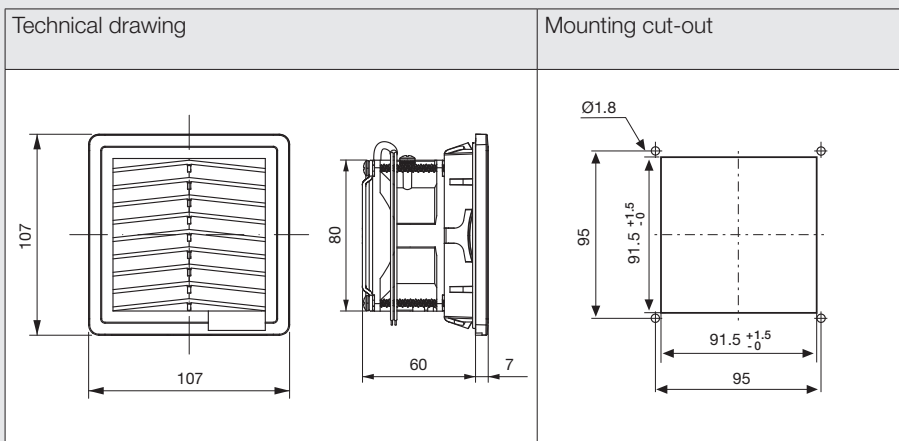


- ▶ Clip mounting system
- ▶ Easy media replacement
- ▶ Low profile

Technical data

Model	Rated Voltage	Freq.	Rated Current	Rated power	Max air flow	Static Pressure	Noise	Weight	Working Temp. Range	Approvals
	V	Hz	A	W	m³/h	Pa	dB(A)	Kg	°C	
FF08A115UN	115 V a.c.	50/60	0.113/0.092	9.0/7.0	12/15	23/33	31.0/33.0	0.49	-10 ÷ +55	CE; cURus; cCSAus;
FF08A115UNR	115 V a.c.	50/60	0.111/0.093	9.0/7.5	16/21	45/64	31.0/33.0	0.49	-10 ÷ +55	CE; cURus; cCSAus;
FF08A230UN	230 V a.c.	50/60	0.062/0.050	10/8.0	12/15	23/33	31.0/33.0	0.44	-10 ÷ +55	CE; cURus; cCSAus;
FF08A230UNR	230 V a.c.	50/60	0.063/0.052	10/8.0	16/21	45/64	31.0/33.0	0.44	-10 ÷ +55	CE; cURus; cCSAus;

Technical specifications



General specifications



- Mounting without screws in square openings as indicated in the cut-out diagram
- Plate thickness from 1 to 2mm
- Plastic parts in PC/ABS alloy, except elastic clips, made in PA66 GF13HSL
- Standard color RAL 7035, other colors available on request, subject to quantity
- Permanent sealing gasket in polyurethane foam
- Filter media in thermo-linked progressive structure synthetic fibre
 - filter class G3, according to EN 779
- Filter media can be cleaned, up to 10 times by washing, blowing dry and lightly beating
- Type1, 3R and EMC versions on request
- UL approval according to UL 508 and CSA approval according to CSA/CAN 22.2 No. 14

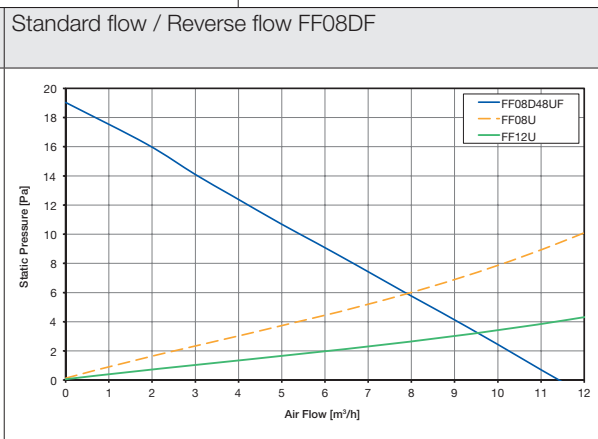
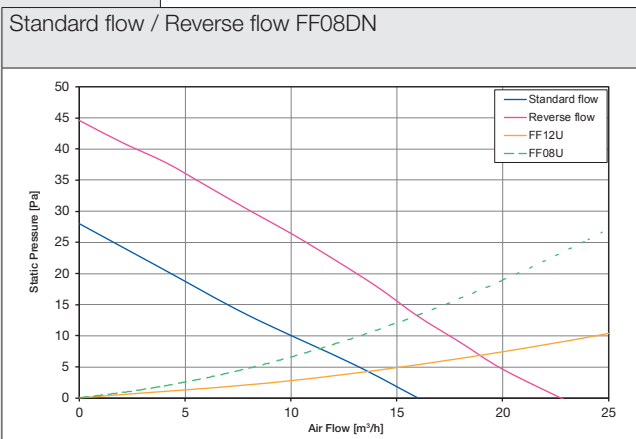
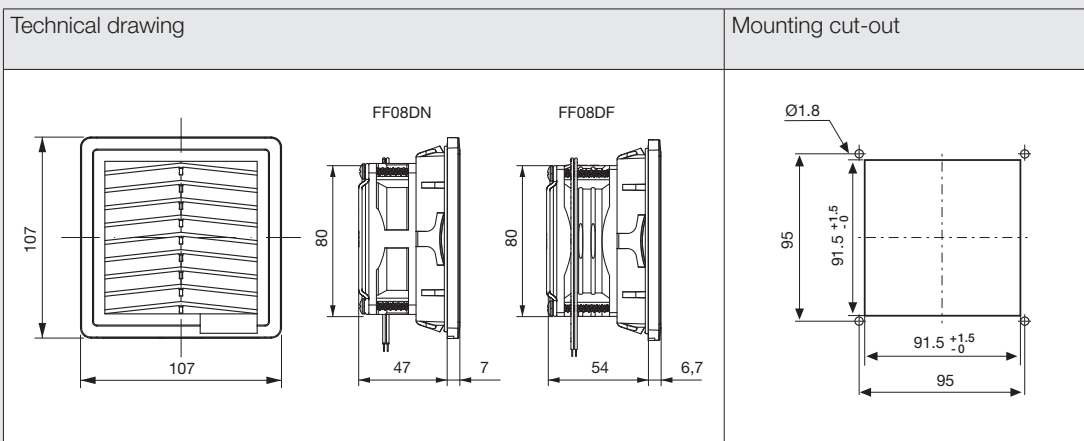


- ▶ Clip mounting system
- ▶ Easy media replacement
- ▶ Low profile

Technical data

Model	Rated Voltage	Rated Current	Rated power	Max air flow	Static Pressure	Noise	Weight	Working Temp. Range	Approvals
	V	A	W	m³/h	Pa	dB(A)	Kg	°C	
FF08D12UN	12 V d.c.	0.170	2.0	16	28	30.0	0.23	-10 ÷ +55	CE; cURus; cCSAus;
FF08D12UNR	12 V d.c.	0.184	2.2	23	44	30.0	0.23	-10 ÷ +55	CE; cURus; cCSAus;
FF08D24UN	24 V d.c.	0.085	2.0	16	28	30.0	0.23	-10 ÷ +55	CE; cURus; cCSAus;
FF08D24UNR	24 V d.c.	0.092	2.2	23	44	30.0	0.23	-10 ÷ +55	CE; cURus; cCSAus;
FF08D48UF	48 V d.c.	0.063	3.0	12	19	35.5	0.26	-10 ÷ +55	CE;

Technical specifications



General specifications



- Mounting without screws in square openings as indicated in the cut-out diagram
- Plate thickness from 1 to 2mm
- Plastic parts in PC/ABS alloy, except elastic clips, made in PA66 GF13HSL
- Standard color RAL 7035, other colors available on request, subject to quantity
- Permanent sealing gasket in polyurethane foam
- Filter media in thermo-linked progressive structure synthetic fibre
- filter class G3, according to EN 779
- Filter media can be cleaned, up to 10 times by washing, blowing dry and lightly beating
- Type1, 3R and EMC versions on request
- UL approval according to UL 508 and CSA approval according to CSA/CAN 22.2 No. 14

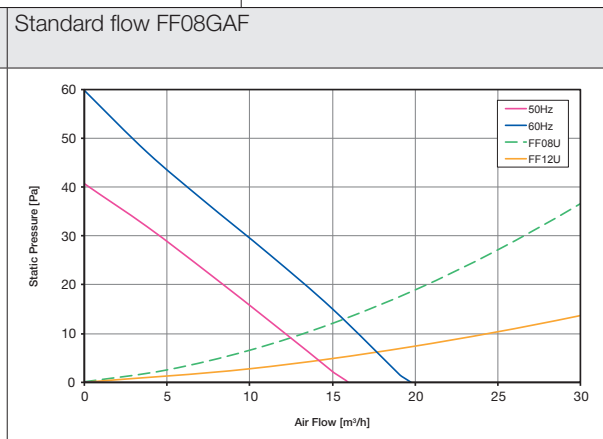
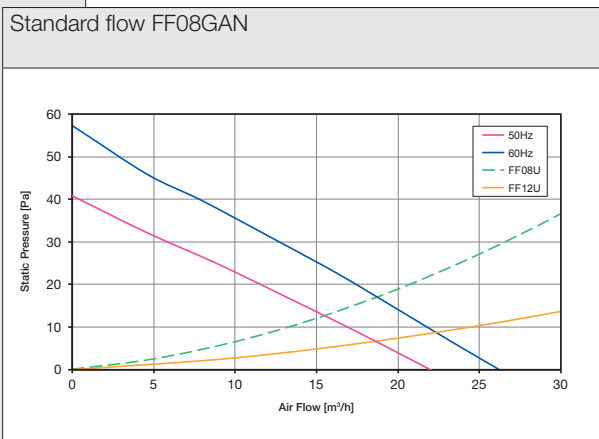
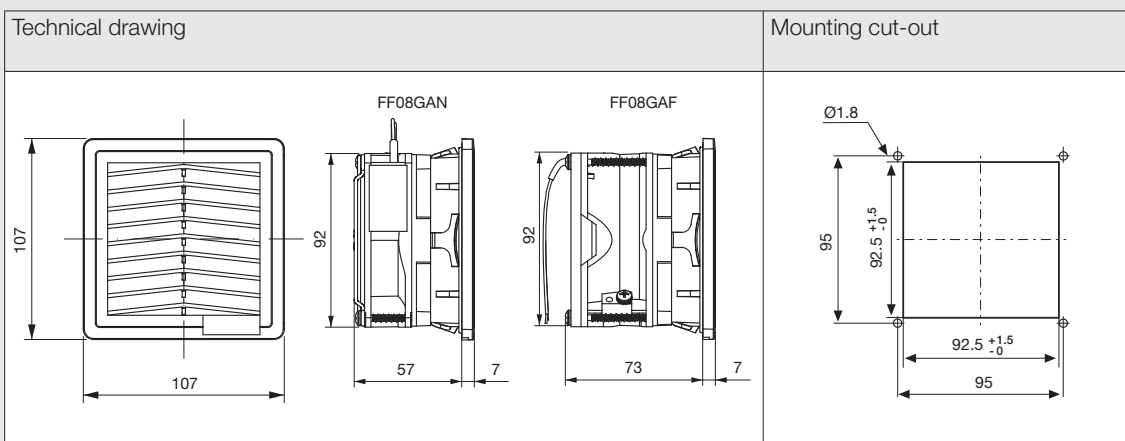


- ▶ Clip mounting system
- ▶ Easy media replacement
- ▶ Low profile
- ▶ High performances

Technical data

Model	Rated Voltage	Freq.	Rated Current	Rated power	Max air flow	Static Pressure	Noise	Weight	Working Temp. Range	Approvals
	V	Hz	A	W	m³/h	Pa	dB(A)	Kg	°C	
FF08GA115UF	115 V a.c.	50/60	0.145/0.127	12/10	22/26	41/57	37.0/42.0	0.6	-10 ÷ +55	CE; cURus; cCSAus;
FF08GA115UNR	115 V a.c.	50/60	0.133/0.113	12/9.0	16/20	40/60	33.5/38.0	0.47	-10 ÷ +55	CE; cURus; cCSAus;
FF08GA230UF	230 V a.c.	50/60	0.078/0.068	12/11	22/26	41/57	37.0/42.0	0.6	-10 ÷ +55	CE; cURus; cCSAus;
FF08GA230UNR	230 V a.c.	50/60	0.065/0.056	12/10	16/20	40/60	33.5/38.0	0.44	-10 ÷ +55	CE; cURus; cCSAus;

Technical specifications



General specifications



- Mounting without screws in square openings as indicated in the cut-out diagram
- Plate thickness from 1 to 2mm
- Plastic parts in PC/ABS alloy, except elastic clips, made in PA66 GF13HSL
- Standard color RAL 7035, other colors available on request, subject to quantity
- Permanent sealing gasket in polyurethane foam
- Filter media in thermo-linked progressive structure synthetic fibre
 - filter class G3, according to EN 779
- Filter media can be cleaned, up to 10 times by washing, blowing dry and lightly beating
- Type1, 3R and EMC versions on request
- UL approval according to UL 508 and CSA approval according to CSA/CAN 22.2 No. 14



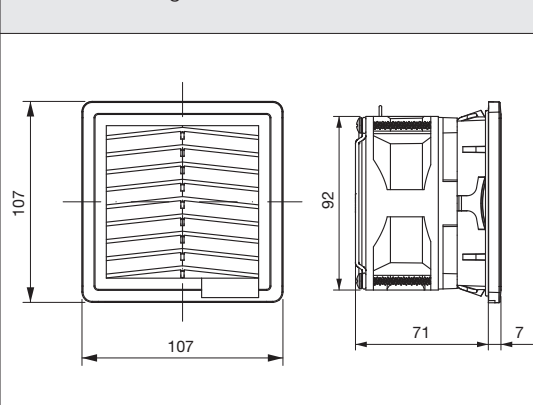
- ▶ Clip mounting system
- ▶ Easy media replacement
- ▶ Low profile
- ▶ High performances

Technical data

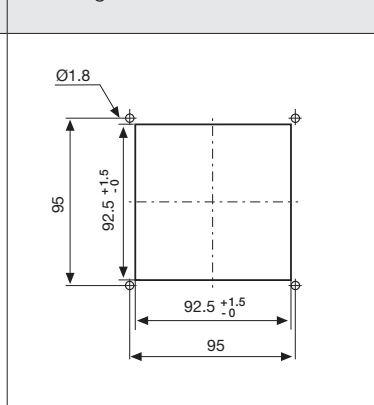
Model	Rated Voltage	Rated Current	Rated power	Max air flow	Static Pressure	Noise	Weight	Working Temp. Range	Approvals
	V	A	W	m³/h	Pa	dB(A)	Kg	°C	
FF08GD24UN	24 V d.c.	0.610	15	50	160	59.0	0.4	-10 ÷ +55	CE; cURus; cCSAus;
FF08GD24UNR	24 V d.c.	0.710	17	60	200	59.0	0.4	-10 ÷ +55	CE; cURus; cCSAus;
FF08GD48UF	48 V d.c.	0.354	17	48	144	58.5	0.38	-10 ÷ +55	CE;

Technical specifications

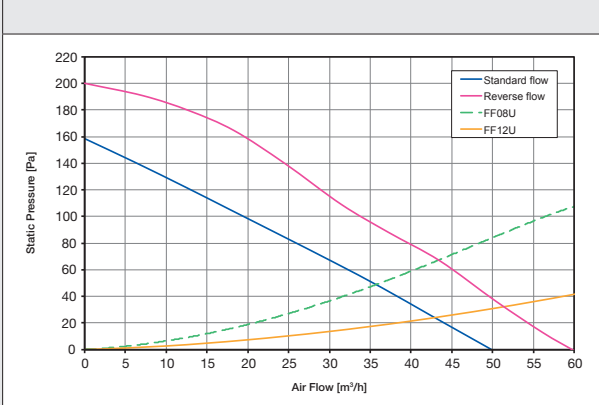
Technical drawing



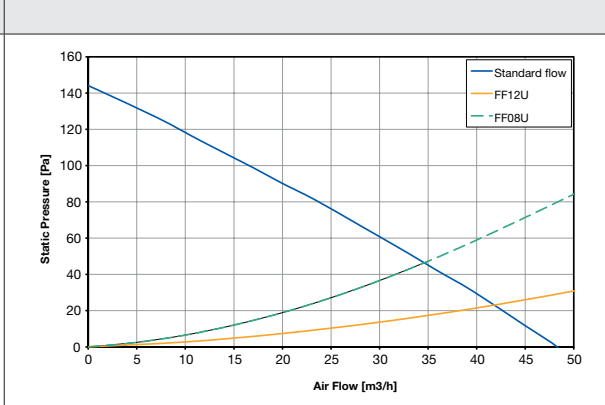
Mounting cut-out



Standard flow / Reverse flow FF08GDN



Standard flow FF08GDF





General specifications

- Mounting without screws in square openings as indicated in the cut-out diagram
- Plate thickness from 1,3 to 3,2mm
- Plastic parts in PC/ABS alloy, except elastic clips, made in PA66 GF13HSL
- Standard color RAL 7035, other colors available on request, subject to quantity
- Permanent sealing gasket in polyurethane foam
- Filter media in thermo-linked progressive structure synthetic fibre
 - filter class G3 (optionally filter class G4), according to EN 779
- Filter media can be cleaned, up to 10 times by washing, blowing dry and lightly beating
- IP55, Type1, 3R and EMC versions on request

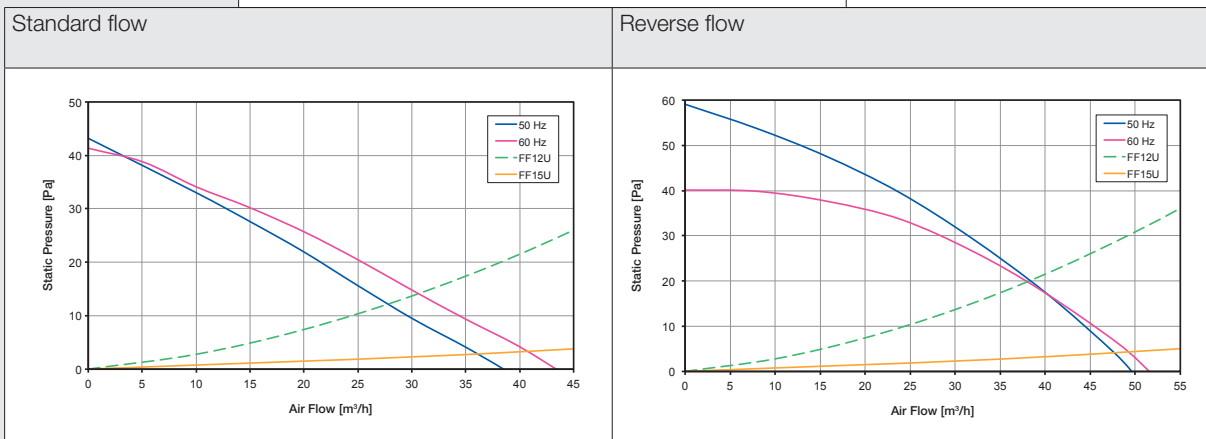
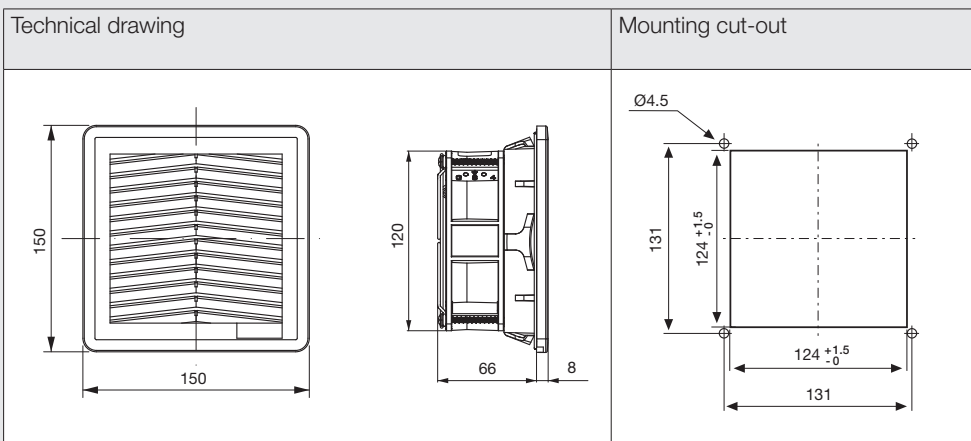


- ▶ Clip mounting system
- ▶ Easy media replacement
- ▶ Low profile
- ▶ Quick electrical connection with cage clamp terminal

Technical data

Model	Rated Voltage	Freq.	Rated Current	Rated power	Max air flow	Static Pressure	Noise	Weight	Working Temp. Range	Approvals
	V	Hz	A	W	m³/h	Pa	dB(A)	Kg	°C	
FF12A24UF	24 V a.c.	50/60	0.77/0.76	15/15	39/44	43/41	46.0/49.0	0.76	-10 ÷ +60	CE;
FF12A24UFR	24 V a.c.	50/60	0.77/0.76	15/15	50/52	59/40	46.0/49.0	0.76	-10 ÷ +60	CE;

Technical specifications



General specifications



- Mounting without screws in square openings as indicated in the cut-out diagram
- Plate thickness from 1,3 to 3,2mm
- Plastic parts in PC/ABS alloy, except elastic clips, made in PA66 GF13HSL
- Standard color RAL 7035, other colors available on request, subject to quantity
- Permanent sealing gasket in polyurethane foam
- Filter media in thermo-linked progressive structure synthetic fibre
- filter class G3 (optionally filter class G4), according to EN 779
- Filter media can be cleaned, up to 10 times by washing, blowing dry and lightly beating
- P55, Type1, 3R and EMC versions on request
- UL approval according to UL 508 and CSA approval according to CSA/CAN 22.2 No. 14

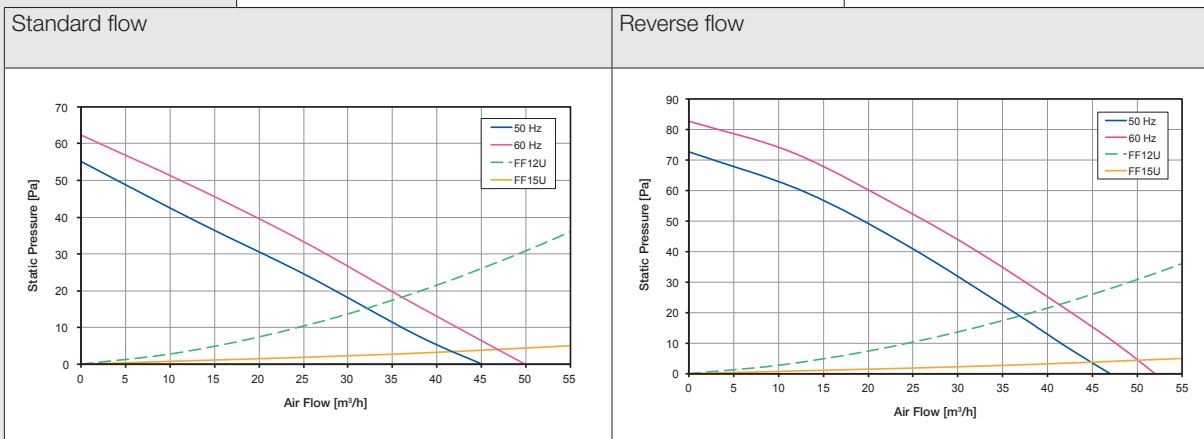
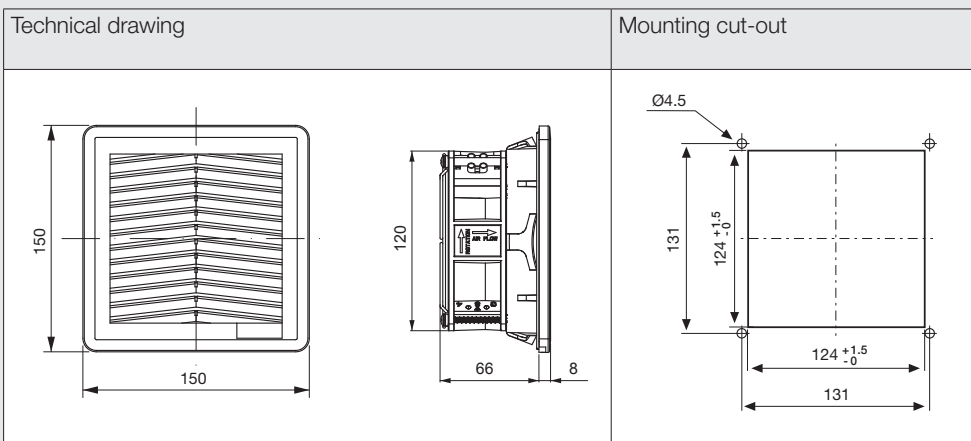


- ▶ Clip mounting system
- ▶ Easy media replacement
- ▶ Low profile
- ▶ Quick electrical connection with cage clamp terminal

Technical data

Model	Rated Voltage	Freq.	Rated Current	Rated power	Max air flow	Static Pressure	Noise	Weight	Working Temp. Range	Approvals
	V	Hz	A	W	m³/h	Pa	dB(A)	Kg	°C	
FF12A115UF	115 V a.c.	50/60	0.200/0.180	16/15	45/50	55/62	46.0/49.0	0.76	-10 ÷ +55	CE; cURus; cCSAus;
FF12A115UFR	115 V a.c.	50/60	0.200/0.180	16/15	47/52	72/82	46.0/49.0	0.76	-10 ÷ +55	CE; cURus; cCSAus;
FF12A230UF	230 V a.c.	50/60	0.110/0.100	18/17	45/50	55/62	48.0/54.0	0.76	-10 ÷ +55	CE; cURus; cCSAus;
FF12A230UFR	230 V a.c.	50/60	0.110/0.100	18/17	47/52	72/82	48.0/54.0	0.76	-10 ÷ +55	CE; cURus; cCSAus;

Technical specifications



General specifications



- Mounting without screws in square openings as indicated in the cut-out diagram
- Plate thickness from 1,3 to 3,2mm
- Plastic parts in PC/ABS alloy, except elastic clips, made in PA66 GF13HSL
- Standard color RAL 7035, other colors available on request, subject to quantity
- Permanent sealing gasket in polyurethane foam
- Filter media in thermo-linked progressive structure synthetic fibre
 - filter class G3 (optionally filter class G4), according to EN 779
- Filter media can be cleaned, up to 10 times by washing, blowing dry and lightly beating
- IP55, Type1, 3R and EMC versions on request
- UL approval according to UL 508 and CSA approval according to CSA/CAN 22.2 No. 14

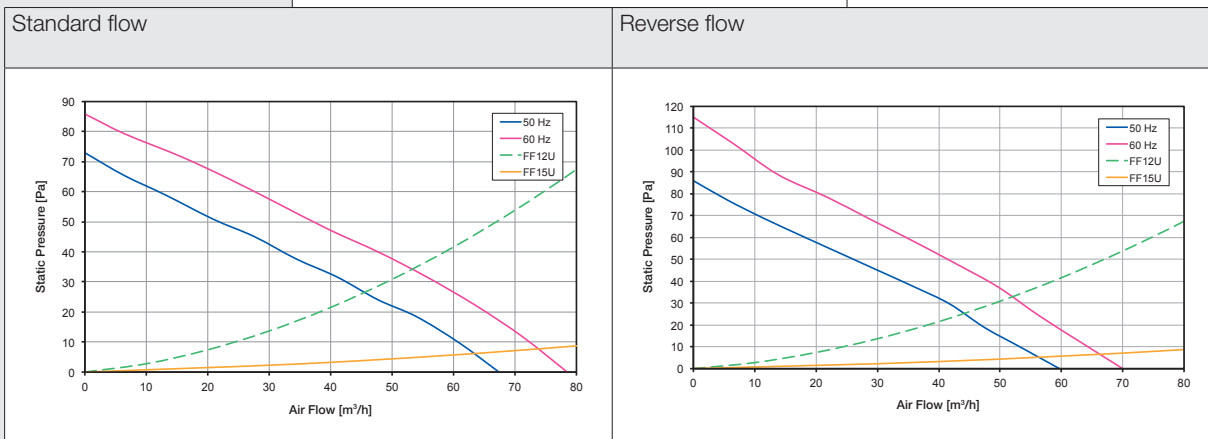
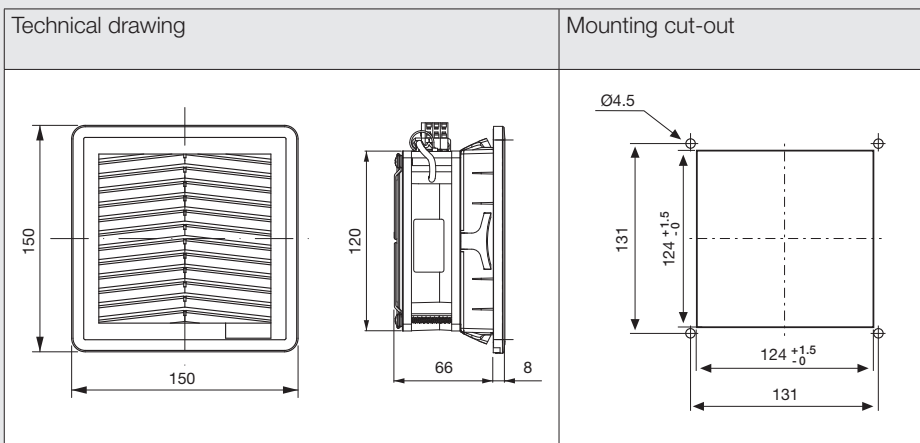


- ▶ Clip mounting system
- ▶ Easy media replacement
- ▶ Low profile
- ▶ Cage clamp terminal

Technical data

Model	Rated Voltage	Freq.	Rated Current	Rated power	Max air flow	Static Pressure	Noise	Weight	Working Temp. Range	Approvals
	V	Hz	A	W	m³/h	Pa	dB(A)	Kg	°C	
FF12A115UN	115 V a.c.	50/60	0.260/0.220	19/17	67/79	73/86	40.0/44.0	0.9	-10 ÷ +55	CE; cURus; cCSAus;
FF12A115UNR	115 V a.c.	50/60	0.260/0.220	19/17	60/70	86/115	40.0/44.0	0.9	-10 ÷ +55	CE; cURus; cCSAus;
FF12A230UN	230 V a.c.	50/60	0.130/0.100	18/16	67/79	73/86	40.0/44.0	0.91	-10 ÷ +55	CE; cURus; cCSAus;
FF12A230UNR	230 V a.c.	50/60	0.130/0.100	18/16	60/70	86/115	40.0/44.0	0.91	-10 ÷ +55	CE; cURus; cCSAus;

Technical specifications





General specifications

- Mounting without screws in square openings as indicated in the cut-out diagram
- Plate thickness from 1.3 to 3.2mm
- Plastic parts in PC/ABS alloy, except elastic clips, made in PA66 GF13HSL
- Standard color RAL 7035, other colors available on request, subject to quantity
- Permanent sealing gasket in polyurethane foam
- Filter media in thermo-linked progressive structure synthetic fibre
 - filter class G3 (optionally filter class G4), according to EN 779
- Filter media can be cleaned, up to 10 times by washing, blowing dry and lightly beating
- IP55, Type1, 3R and EMC versions on request
- UL approval according to UL 508 and CSA approval according to CSA/CAN 22.2 No. 14



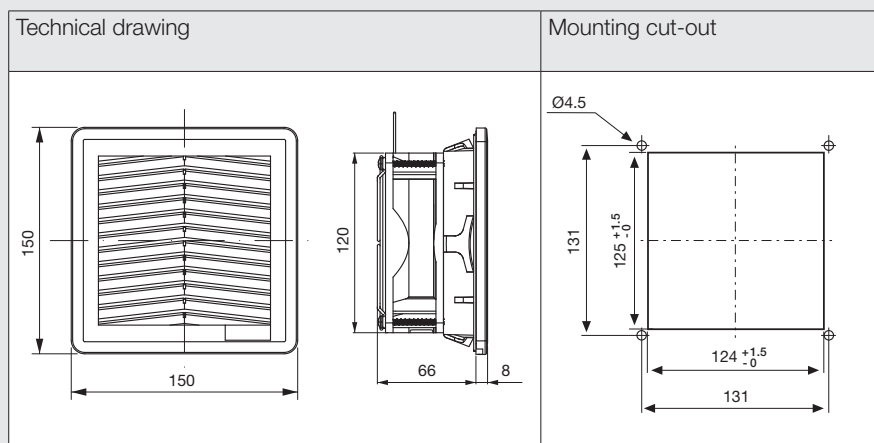
- ▶ Clip mounting system
- ▶ Easy media replacement

- ▶ Low profile

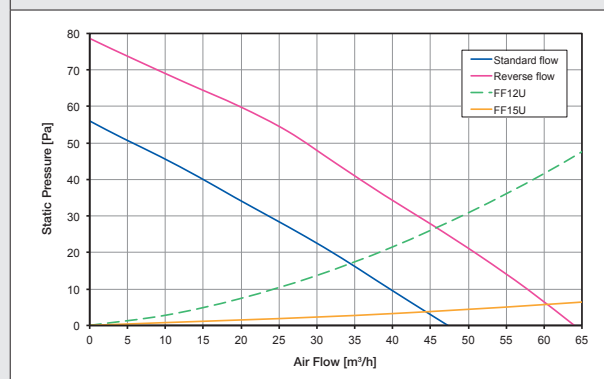
Technical data

Model	Rated Voltage	Rated Current	Rated power	Max air flow	Static Pressure	Noise	Weight	Working Temp. Range	Approvals
	V	A	W	m ³ /h	Pa	dB(A)	Kg	°C	
FF12D24UN	24 V d.c.	0.310	7.4	47	56	42.5	0.53	-10 ÷ +55	CE; UR; cCSAus;
FF12D24UNR	24 V d.c.	0.310	7.4	64	79	42.5	0.53	-10 ÷ +55	CE; UR; cCSAus;
FF12D48UN	48 V d.c.	0.180	8.6	47	56	42.5	0.52	-10 ÷ +55	CE; UR; cCSAus;
FF12D48UNR	48 V d.c.	0.180	8.6	64	79	42.5	0.52	-10 ÷ +55	CE; UR; cCSAus;

Technical specifications



Standard flow / Reverse flow





General specifications

- Mounting without screws in square openings as indicated in the cut-out diagram
- Plate thickness from 1.3 to 3.2mm
- Plastic parts in PC/ABS alloy, except elastic clips, made in PA66 GF13HSL
- Standard color RAL 7035, other colors available on request, subject to quantity
- Permanent sealing gasket in polyurethane foam
- Filter media in thermo-linked progressive structure synthetic fibre
 - filter class G3 (optionally filter class G4), according to EN 779
- Filter media can be cleaned, up to 10 times by washing, blowing dry and lightly beating
- IP55, Type1, 3R and EMC versions on request
- UL approval according to UL 508 and CSA approval according to CSA/CAN 22.2 No. 14

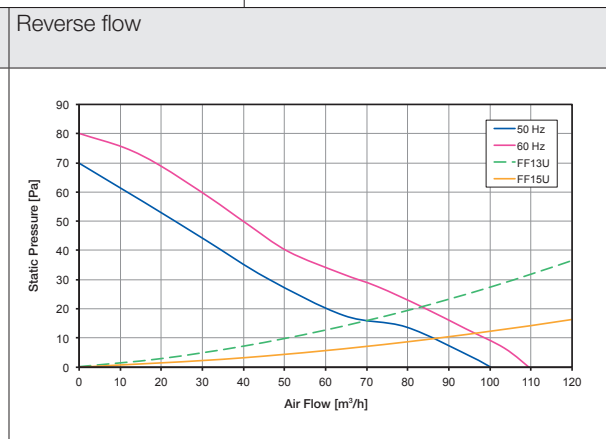
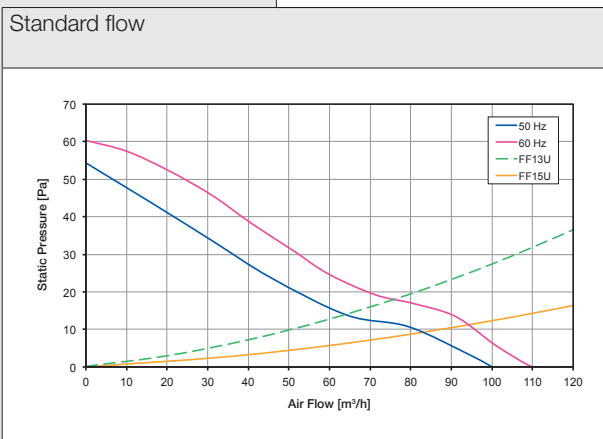
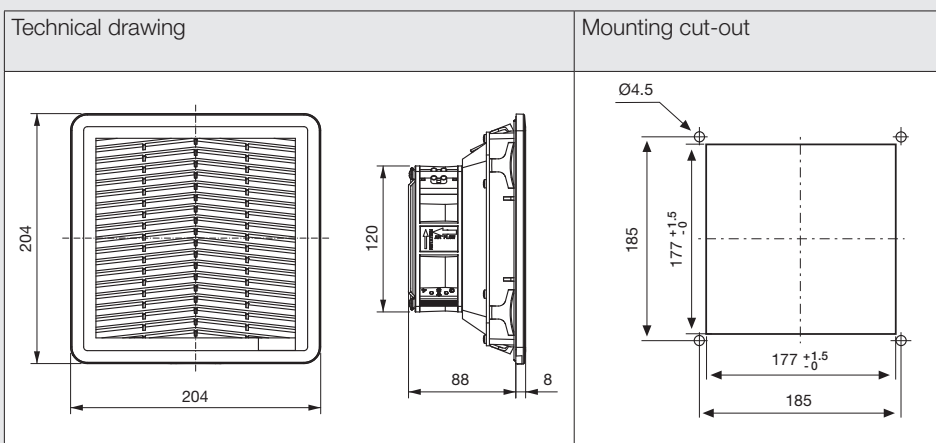


- ▶ Clip mounting system
- ▶ Easy media replacement
- ▶ Low profile
- ▶ Quick electrical connection with cage clamp terminal

Technical data

Model	Rated Voltage	Freq.	Rated Current	Rated power	Max air flow	Static Pressure	Noise	Weight	Working Temp. Range	Approvals
	V	Hz	A	W	m³/h	Pa	dB(A)	Kg	°C	
FF13PA115UF	115 V a.c.	50/60	0.213/0.202	19/18	100/110	55/60	46.0/49.0	1.04	-10 ÷ +55	CE; cURus; cCSAus;
FF13PA115UFR	115 V a.c.	50/60	0.215/0.200	18/18	100/110	70/80	46.0/49.0	1.04	-10 ÷ +55	CE; cURus; cCSAus;
FF13PA230UF	230 V a.c.	50/60	0.106/0.100	18/18	100/110	55/60	48.0/54.0	1.04	-10 ÷ +55	CE; cURus; cCSAus;
FF13PA230UFR	230 V a.c.	50/60	0.106/0.100	18/18	100/110	70/80	48.0/54.0	1.04	-10 ÷ +55	CE; cURus; cCSAus;

Technical specifications





General specifications

- Mounting without screws in square openings as indicated in the cut-out diagram
- Plate thickness from 1.3 to 3.2mm
- Plastic parts in PC/ABS alloy, except elastic clips, made in PA66 GF13HSL
- Standard color RAL 7035, other colors available on request, subject to quantity
- Permanent sealing gasket in polyurethane foam
- Filter media in thermo-linked progressive structure synthetic fibre
 - filter class G3 (optionally filter class G4), according to EN 779
- Filter media can be cleaned, up to 10 times by washing, blowing dry and lightly beating
- IP55, Type1, 3R and EMC versions on request
- UL approval according to UL 508 and CSA approval according to CSA/CAN 22.2 No.14

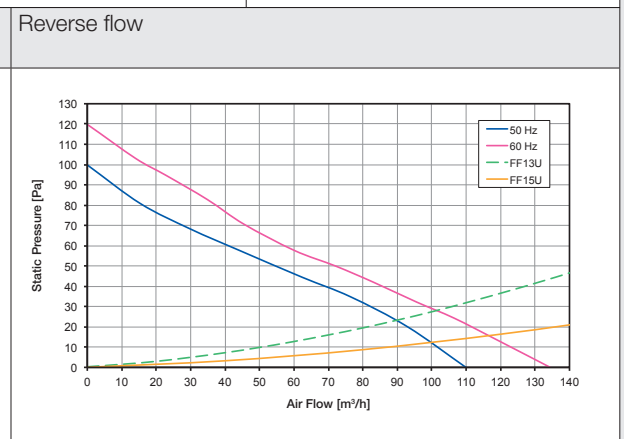
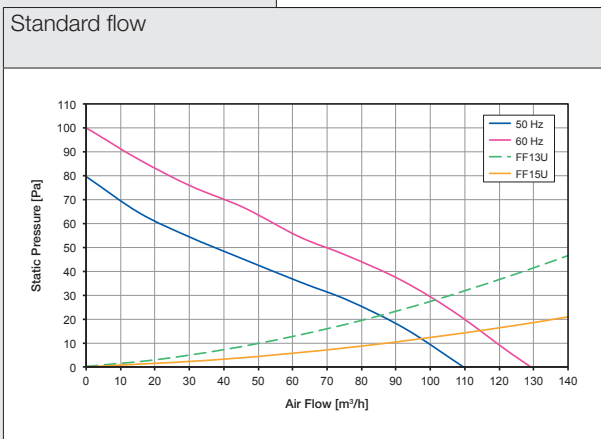
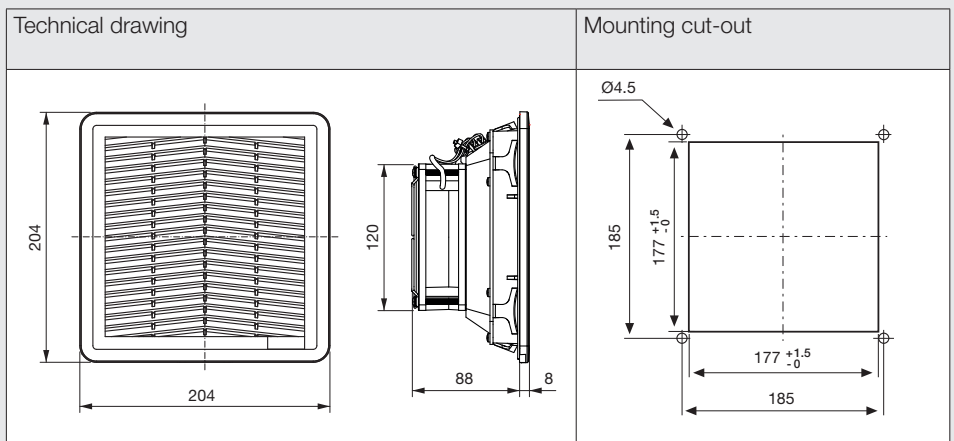


- ▶ Clip mounting system
- ▶ Easy media replacement
- ▶ Low profile
- ▶ Cage clamp terminal

Technical data

Model	Rated Voltage	Freq.	Rated Current	Rated power	Max air flow	Static Pressure	Noise	Weight	Working Temp. Range	Approvals
	V	Hz	A	W	m³/h	Pa	dB(A)	Kg	°C	
FF13PA115UN	115 V a.c.	50/60	0.200/0.180	16/15	110/130	80/100	40.0/44.0	1.17	-10 ÷ +55	CE; cURus; cCSAus;
FF13PA115UNR	115 V a.c.	50/60	0.257/0.224	20/18	110/135	100/120	40.0/44.0	1.12	-10 ÷ +55	CE; cURus; cCSAus;
FF13PA230UN	230 V a.c.	50/60	0.126/0.110	19/17	110/130	80/100	40.0/44.0	1.13	-10 ÷ +55	CE; cURus; cCSAus;
FF13PA230UNR	230 V a.c.	50/60	0.128/0.110	19/18	110/135	100/120	40.0/44.0	1.13	-10 ÷ +55	CE; cURus; cCSAus;

Technical specifications





General specifications

- Mounting without screws in square openings as indicated in the cut-out diagram
- Plate thickness from 1.3 to 3.2mm
- Plastic parts in PC/ABS alloy, except elastic clips, made in PA66 GF13HSL
- Standard color RAL 7035, other colors available on request, subject to quantity
- Permanent sealing gasket in polyurethane foam
- Filter media in thermo-linked progressive structure synthetic fibre
 - filter class G3 (optionally filter class G4), according to EN 779
- Filter media can be cleaned, up to 10 times by washing, blowing dry and lightly beating
- IP55, Type1, 3R and EMC versions on request
- UL approval according to UL 508 and CSA approval according to CSA/CAN 22.2 No.14

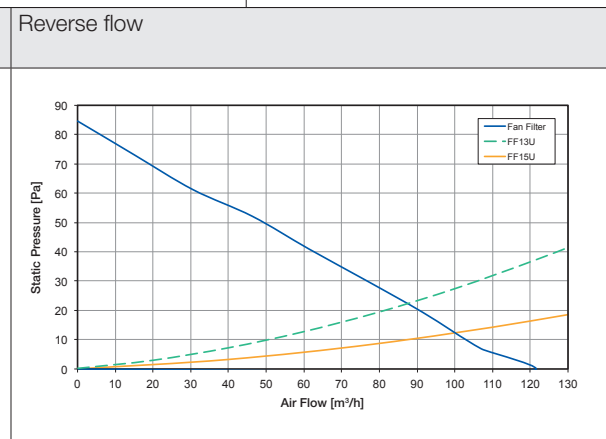
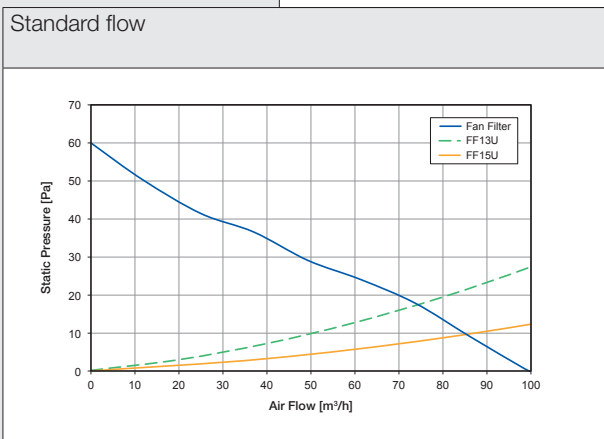
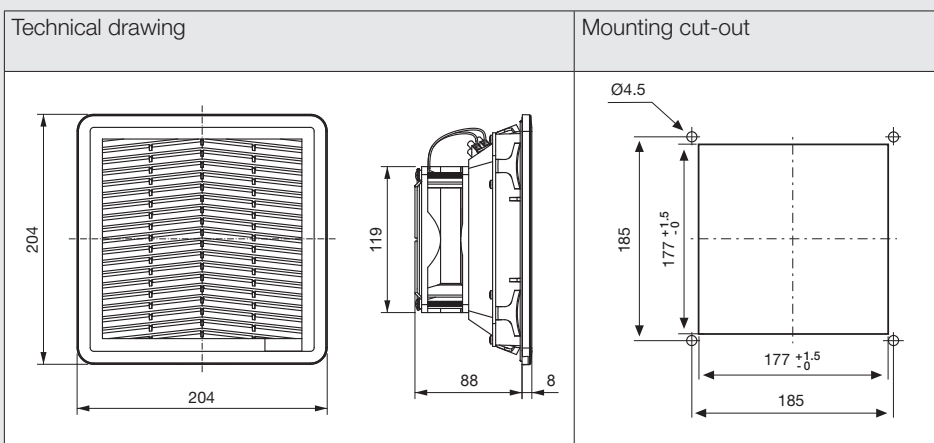


- ▶ Clip mounting system
- ▶ Easy media replacement
- ▶ Low profile
- ▶ Quick electrical connection with cage clamp terminal

Technical data

Model	Rated Voltage	Rated Current	Rated power	Max air flow	Static Pressure	Noise	Weight	Working Temp. Range	Approvals
	V	A	W	m ³ /h	Pa	dB(A)	Kg	°C	
FF13PD24UN	24 V d.c.	0.342	8.2	100	60	42.0	0.81	-10 ÷ +55	CE; UR; cCSAus;
FF13PD24UNR	24 V d.c.	0.355	8.5	120	83	42.0	0.81	-10 ÷ +55	CE; UR; cCSAus;

Technical specifications





General specifications

- Mounting without screws in square openings as indicated in the cut-out diagram
- Plate thickness from 1.3 to 3.7mm (up to 4mm with cut-out max tolerance)
- Plastic parts in PC/ABS alloy, except elastic clips, made in PA66 GF13HSL
- Standard color RAL 7035, other colors available on request, subject to quantity
- Permanent sealing gasket in polyurethane foam
- Filter media in thermo-linked progressive structure synthetic fibre
 - filter class G3 (optionally filter class G4), according to EN 779
- Filter media can be cleaned, up to 10 times by washing, blowing dry and lightly beating
- IP55, Type1, 3R and EMC versions on request
- UL approval according to UL 508 and CSA approval according to CSA/CAN 22.2 No. 14

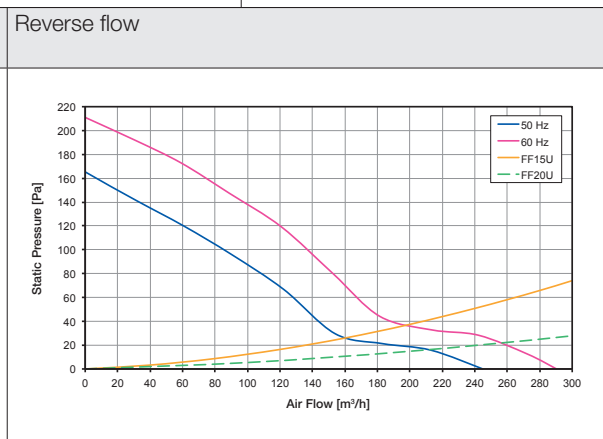
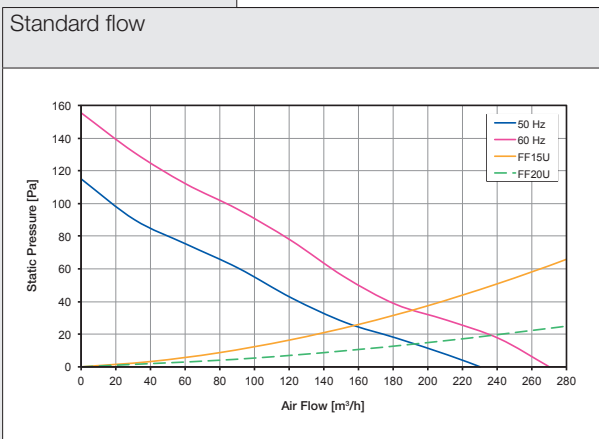
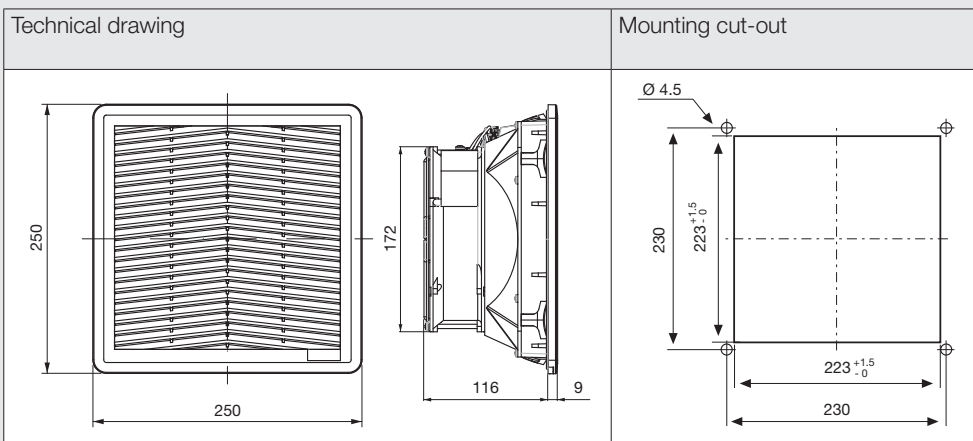


- ▶ Clip mounting system
- ▶ Easy media replacement
- ▶ Low profile
- ▶ Quick electrical connection with cage clamp terminal

Technical data

Model	Rated Voltage	Freq.	Rated Current	Rated power	Max air flow	Static Pressure	Noise	Weight	Working Temp. Range	Approvals
	V	Hz	A	W	m³/h	Pa	dB(A)	Kg	°C	
FF15A115UF	115 V a.c.	50/60	0.280/0.270	31/31	230/270	115/155	50.0/55.0	1.78	-10 ÷ +55	CE; cURus; cCSAus;
FF15A115UFR	115 V a.c.	50/60	0.280/0.260	31/31	245/290	165/210	50.0/55.0	1.78	-10 ÷ +55	CE; cURus; cCSAus;
FF15A230UF	230 V a.c.	50/60	0.140/0.160	32/36	230/270	115/155	50.0/55.0	1.78	-10 ÷ +55	CE; cURus; cCSAus;
FF15A230UFR	230 V a.c.	50/60	0.140/0.160	32/36	245/290	165/210	50.0/55.0	1.78	-10 ÷ +55	CE; cURus; cCSAus;

Technical specifications





General specifications

- Mounting without screws in square openings as indicated in the cut-out diagram
- Plate thickness from 1.3 to 3.7mm (up to 4mm with cut-out max tolerance)
- Plastic parts in PC/ABS alloy, except elastic clips, made in PA66 GF13HSL
- Standard color RAL 7035, other colors available on request, subject to quantity
- Permanent sealing gasket in polyurethane foam
- Filter media in thermo-linked progressive structure synthetic fibre
 - filter class G3 (optionally filter class G4), according to EN 779
- Filter media can be cleaned, up to 10 times by washing, blowing dry and lightly beating
- IP55, Type1, 3R and EMC versions on request
- UL approval according to UL 508 and CSA approval according to CSA/CAN 22.2 No. 14

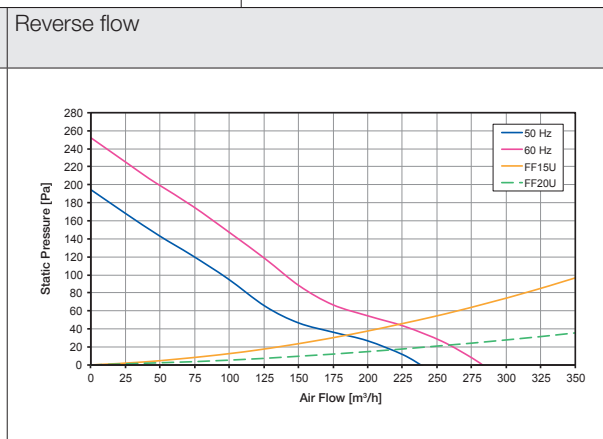
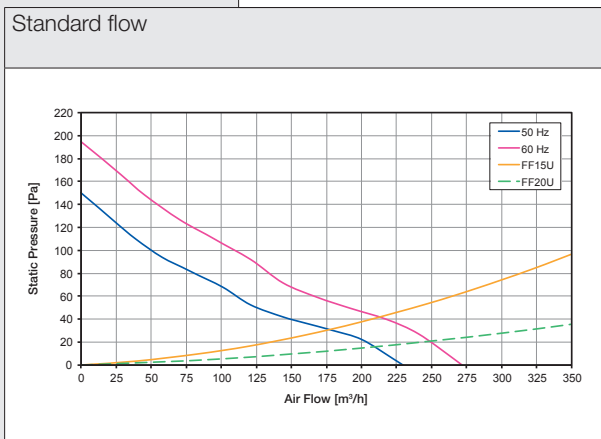
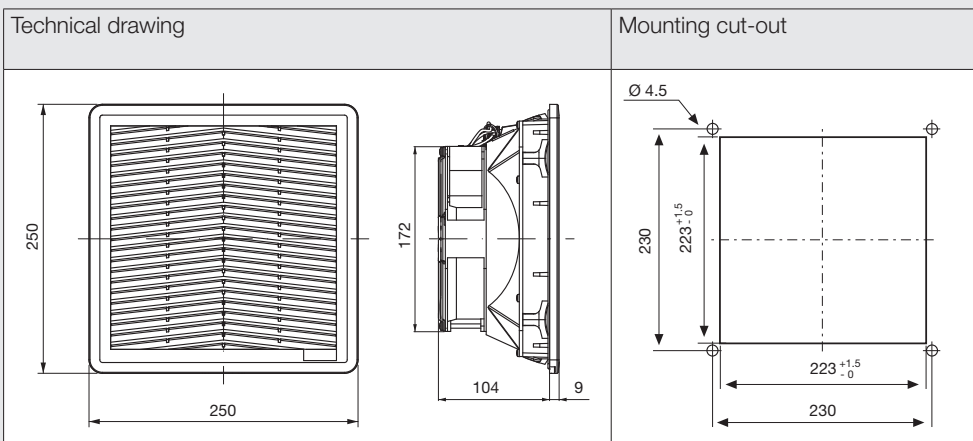


- ▶ Clip mounting system
- ▶ Easy media replacement
- ▶ Low profile
- ▶ Quick electrical connection with cage clamp terminal

Technical data

Model	Rated Voltage	Freq.	Rated Current	Rated power	Max air flow	Static Pressure	Noise	Weight	Working Temp. Range	Approvals
	V	Hz	A	W	m³/h	Pa	dB(A)	Kg	°C	
FF15A115UN2	115 V a.c.	50/60	0.360/0.361	39/41	230/272	150/195	52.0/56.0	1.71	-10 ÷ +55	CE; cURus; cCSAus;
FF15A115UNR2	115 V a.c.	50/60	0.358/0.359	39/41	238/283	195/252	52.0/56.0	1.71	-10 ÷ +55	CE; cURus; cCSAus;
FF15A230UN2	230 V a.c.	50/60	0.185/0.194	42/45	230/272	150/195	52.0/56.0	1.71	-10 ÷ +55	CE; cURus; cCSAus;
FF15A230UNR2	230 V a.c.	50/60	0.185/0.192	42/45	238/283	195/252	52.0/56.0	1.71	-10 ÷ +55	CE; cURus; cCSAus;

Technical specifications





General specifications

- Mounting without screws in square openings as indicated in the cut-out diagram
- Plate thickness from 1.3 to 3.7mm (up to 4mm with cut-out max tolerance)
- Plastic parts in PC/ABS alloy, except elastic clips, made in PA66 GF13HSL
- Standard color RAL 7035, other colors available on request, subject to quantity
- Permanent sealing gasket in polyurethane foam
- Filter media in thermo-linked progressive structure synthetic fibre
 - filter class G3 (optionally filter class G4), according to EN 779
- Filter media can be cleaned, up to 10 times by washing, blowing dry and lightly beating
- IP55, Type1, 3R and EMC versions on request
- UL approval according to UL 508 and CSA approval according to CSA/CAN 22.2 No. 14

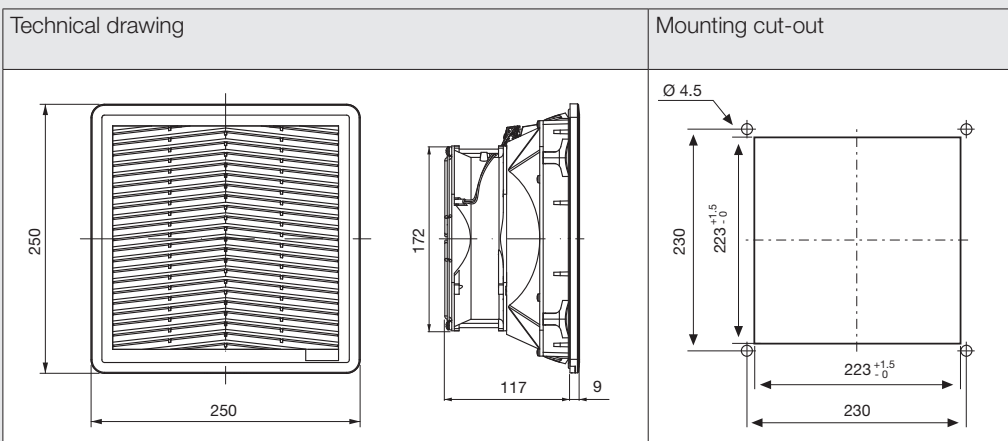


- ▶ Clip mounting system
- ▶ Easy media replacement
- ▶ Low profile
- ▶ Quick electrical connection with cage clamp terminal

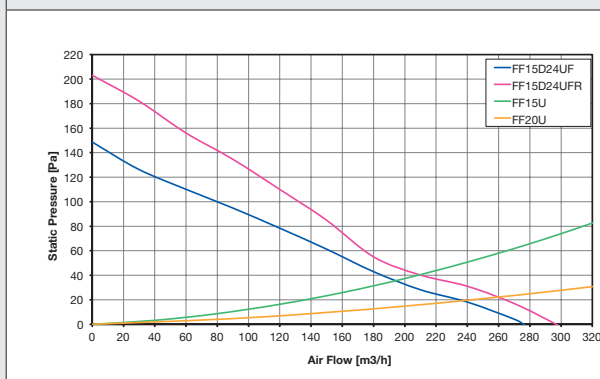
Technical data

Model	Rated Voltage	Rated Current	Rated power	Max air flow	Static Pressure	Noise	Weight	Working Temp. Range	Approvals
	V	A	W	m ³ /h	Pa	dB(A)	Kg	°C	
FF15D24UF	24 V d.c.	1.3	31	275	150	60.0	1.71	-10 ÷ +55	CE; cURus; cCSAus;
FF15D24UFR	24 V d.c.	1.3	31	295	205	60.0	1.71	-10 ÷ +55	CE; cURus; cCSAus;
FF15D48UF	48 V d.c.	0.9	43	295	175	59.0	1.71	-10 ÷ +55	CE;
FF15D48UFR	48 V d.c.	0.9	43	310	250	59.0	1.71	-10 ÷ +55	CE;

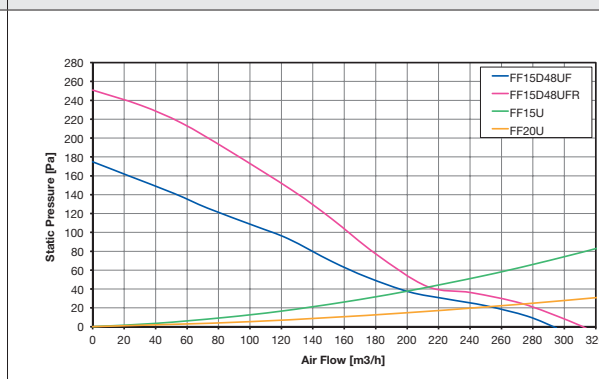
Technical specifications



Standard flow / Reverse flow 24 V d.c.



Standard flow / Reverse flow 48 V d.c.





General specifications

- Mounting without screws in square openings as indicated in the cut-out diagram
- Plate thickness from 1.3 to 3.7mm (up to 4mm with cut-out max tolerance)
- Plastic parts in PC/ABS alloy, except elastic clips, made in PA66 GF13HSL
- Standard color RAL 7035, other colors available on request, subject to quantity
- Permanent sealing gasket in polyurethane foam
- Filter media in thermo-linked progressive structure synthetic fibre
 - filter class G3 (optionally filter class G4), according to EN 779
- Filter media can be cleaned, up to 10 times by washing, blowing dry and lightly beating
- IP55, Type1, 3R and EMC versions on request
- UL approval according to UL 508 and CSA approval according to CSA/CAN 22.2 No. 14

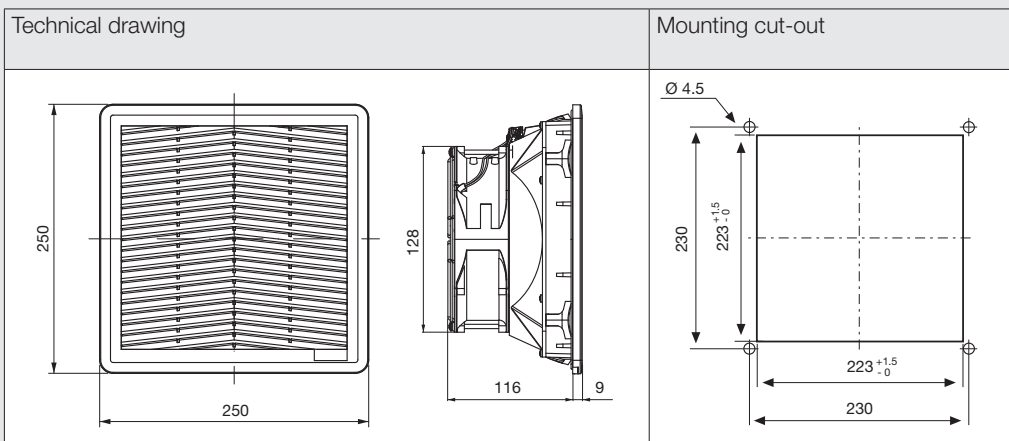


- ▶ Clip mounting system
- ▶ Easy media replacement
- ▶ Low profile
- ▶ Quick electrical connection with cage clamp terminal

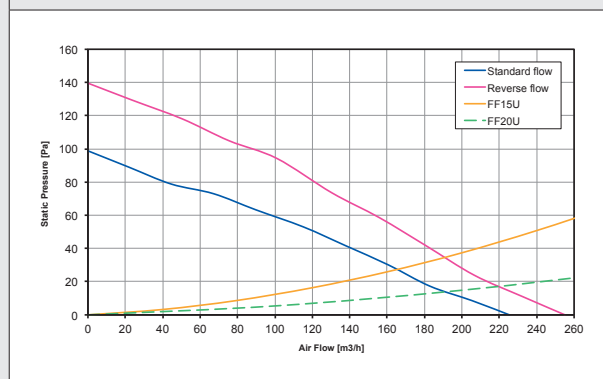
Technical data

Model	Rated Voltage	Rated Current	Rated power	Max air flow	Static Pressure	Noise	Weight	Working Temp. Range	Approvals
	V	A	W	m³/h	Pa	dB(A)	Kg	°C	
FF15D24UN	24 V d.c.	0.71	17	225	99	58.0	1.64	-10 ÷ +55	CE; UR; cCSAus;
FF15D24UNR	24 V d.c.	0.71	17	255	140	58.0	1.64	-10 ÷ +55	CE; UR; cCSAus;
FF15D48UN	48 V d.c.	0.340	16	225	99	60.0	1.78	-10 ÷ +55	CE; UR; cCSAus;
FF15D48UNR	48 V d.c.	0.340	16	255	140	60.0	1.78	-10 ÷ +55	CE; UR; cCSAus;

Technical specifications



Standard flow / Reverse flow





General specifications

- Mounting without screws in square openings as indicated in the cut-out diagram
- Plate thickness from 1.3 to 3.7mm (up to 4mm with cut-out max tolerance)
- Plastic parts in PC/ABS alloy, except elastic clips, made in PA66 GF13HSL
- Standard color RAL 7035, other colors available on request, subject to quantity
- Permanent sealing gasket in polyurethane foam
- Filter media in thermo-linked progressive structure synthetic fibre
 - filter class G3 (optionally filter class G4), according to EN 779
- Filter media can be cleaned, up to 10 times by washing, blowing dry and lightly beating
- IP55, Type1, 3R and EMC versions on request
- UL approval according to UL 508 and CSA approval according to CSA/CAN 22.2 No. 14

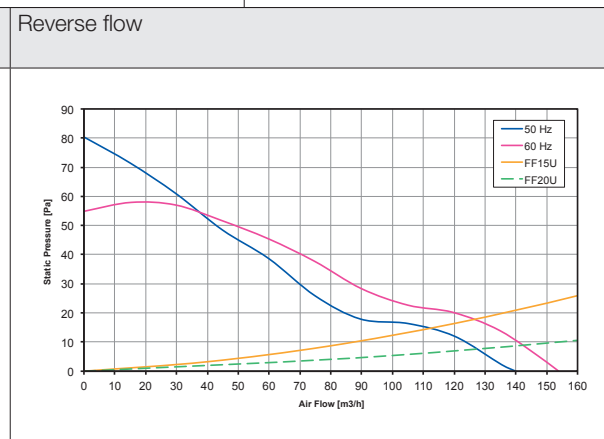
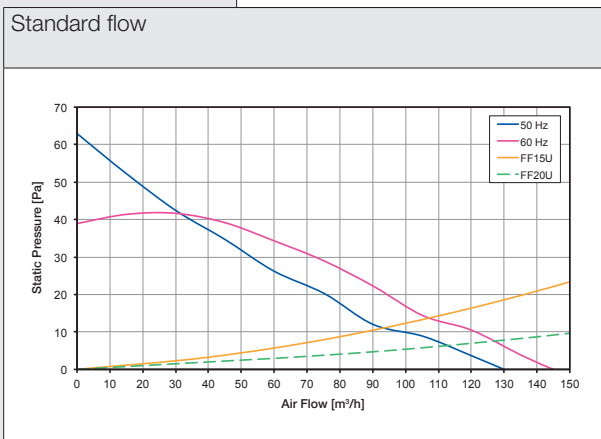
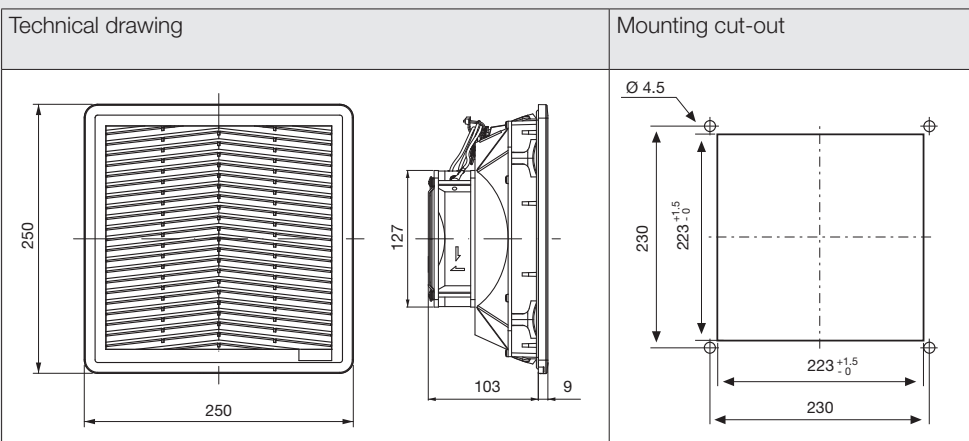


- ▶ Clip mounting system
- ▶ Easy media replacement
- ▶ Low profile
- ▶ Quick electrical connection with cage clamp terminal

Technical data

Model	Rated Voltage	Freq.	Rated Current	Rated power	Max air flow	Static Pressure	Noise	Weight	Working Temp. Range	Approvals
	V	Hz	A	W	m ³ /h	Pa	dB(A)	Kg	°C	
FF15MA115UF	115 V a.c.	50/60	0.230/0.190	16/15	130/145	63/39	46.0/50.0	1.5	-10 ÷ +70	CE;
FF15MA115UFR	115 V a.c.	50/60	0.230/0.190	16/15	140/155	80/55	46.0/50.0	1.5	-10 ÷ +70	CE;
FF15MA230UF	230 V a.c.	50/60	0.140/0.130	21/20	130/145	63/39	46.0/50.0	1.47	-10 ÷ +70	CE;
FF15MA230UFR	230 V a.c.	50/60	0.140/0.130	21/20	140/155	80/55	46.0/50.0	1.47	-10 ÷ +70	CE;

Technical specifications





General specifications

- Mounting without screws in square openings as indicated in the cut-out diagram
- Plate thickness from 1.3 to 3.7mm (up to 4mm with cut-out max tolerance)
- Plastic parts in PC/ABS alloy, except elastic clips, made in PA66 GF13HSL
- Standard color RAL 7035, other colors available on request, subject to quantity
- Permanent sealing gasket in polyurethane foam
- Filter media in thermo-linked progressive structure synthetic fibre
 - filter class G3 (optionally filter class G4), according to EN 779
- Filter media can be cleaned, up to 10 times by washing, blowing dry and lightly beating
- IP55, Type1, 3R and EMC versions on request
- UL approval according to UL 508 and CSA approval according to CSA/CAN 22.2 No. 14

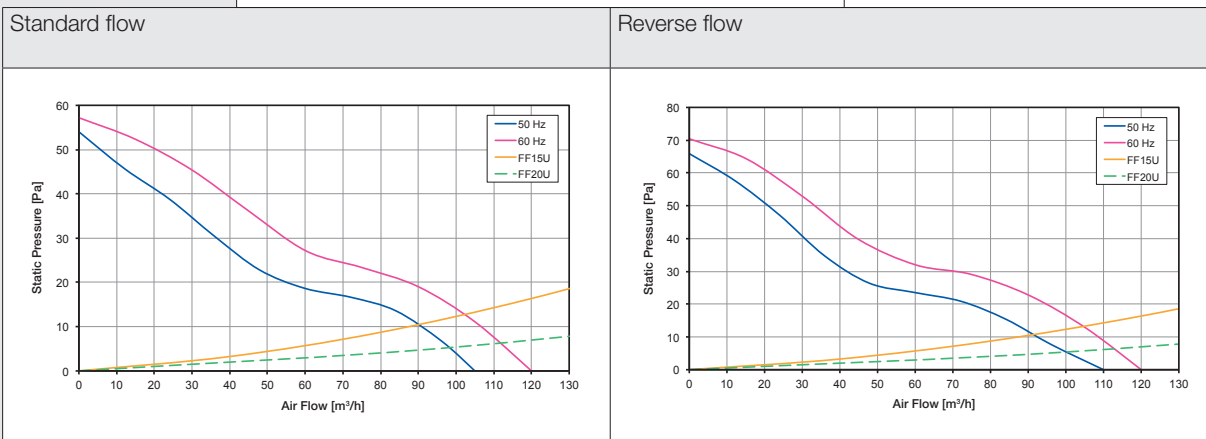
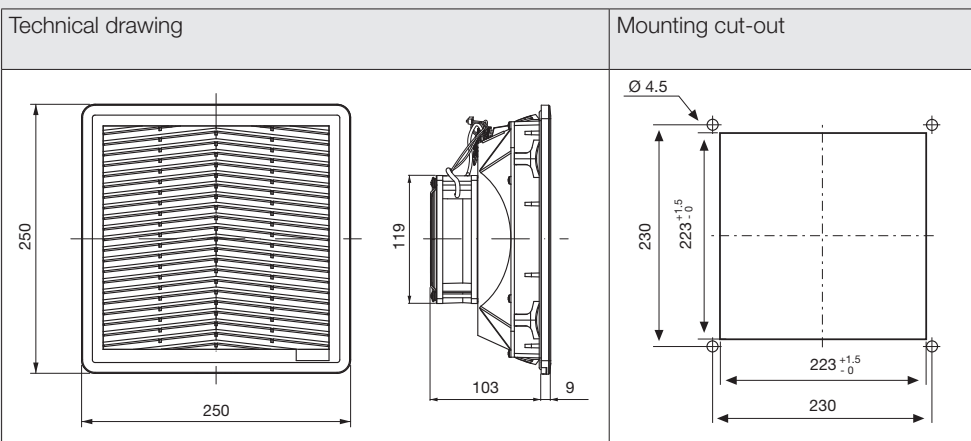


- ▶ Clip mounting system
- ▶ Easy media replacement
- ▶ Low profile
- ▶ Quick electrical connection with cage clamp terminal

Technical data

Model	Rated Voltage	Freq.	Rated Current	Rated power	Max air flow	Static Pressure	Noise	Weight	Working Temp. Range	Approvals
	V	Hz	A	W	m³/h	Pa	dB(A)	Kg	°C	
FF15PA115UF	115 V a.c.	50/60	0.210/0.210	17/16	105/120	54/57	46.0/49.0	1.43	-10 ÷ +55	CE; cURus; cCSAus;
FF15PA115UFR	115 V a.c.	50/60	0.210/0.210	17/16	110/120	66/70	46.0/49.0	1.43	-10 ÷ +55	CE; cURus; cCSAus;
FF15PA230UF	230 V a.c.	50/60	0.110/0.100	18/17	105/120	54/57	48.0/54.0	1.43	-10 ÷ +55	CE; cURus; cCSAus;
FF15PA230UFR	230 V a.c.	50/60	0.110/0.100	18/17	110/120	66/70	48.0/54.0	1.43	-10 ÷ +55	CE; cURus; cCSAus;

Technical specifications





General specifications

- Mounting without screws in square openings as indicated in the cut-out diagram
- Plate thickness from 1.3 to 3.7mm (up to 4mm with cut-out max tolerance)
- Plastic parts in PC/ABS alloy, except elastic clips, made in PA66 GF13HSL
- Standard color RAL 7035, other colors available on request, subject to quantity
- Permanent sealing gasket in polyurethane foam
- Filter media in thermo-linked progressive structure synthetic fibre
 - filter class G3 (optionally filter class G4), according to EN 779
- Filter media can be cleaned, up to 10 times by washing, blowing dry and lightly beating
- IP55, Type1, 3R and EMC versions on request
- UL approval according to UL 508 and CSA approval according to CSA/CAN 22.2 No. 14

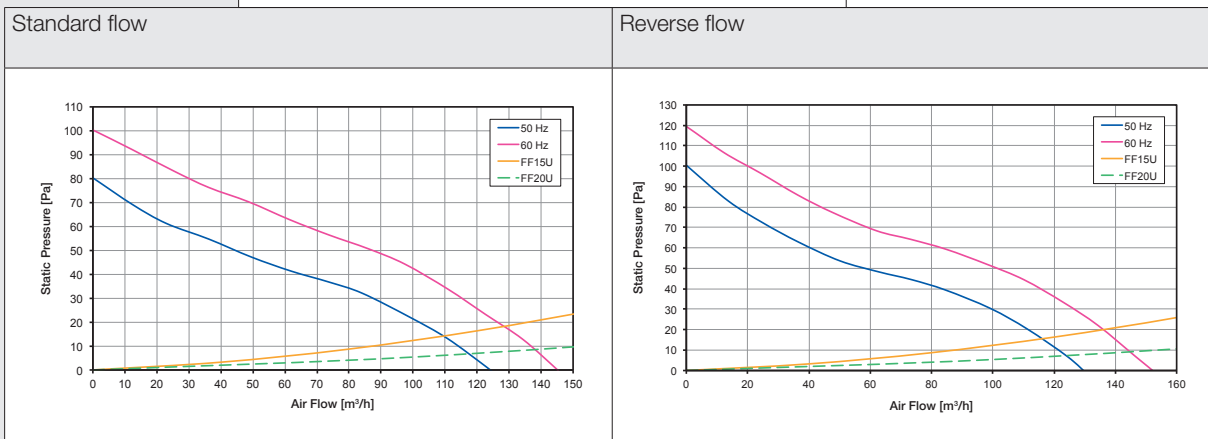
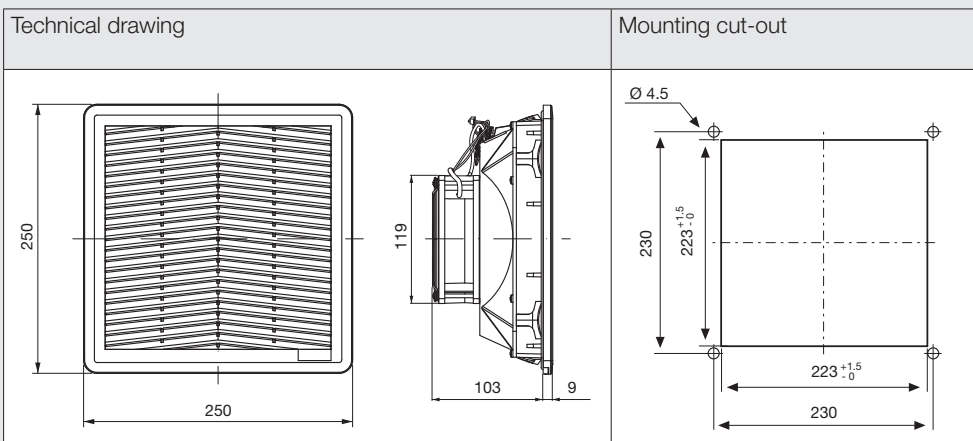


- ▶ Clip mounting system
- ▶ Easy media replacement
- ▶ Low profile
- ▶ Quick electrical connection with cage clamp terminal

Technical data

Model	Rated Voltage	Freq.	Rated Current	Rated power	Max air flow	Static Pressure	Noise	Weight	Working Temp. Range	Approvals
	V	Hz	A	W	m³/h	Pa	dB(A)	Kg	°C	
FF15PA115UN	115 V a.c.	50/60	0.253/0.225	20/19	125/145	80/100	40.0/44.0	1.51	-10 ÷ +55	CE; cURus; cCSAus;
FF15PA115UNR	115 V a.c.	50/60	0.254/0.227	20/19	130/150	100/120	40.0/44.0	1.51	-10 ÷ +55	CE; cURus; cCSAus;
FF15PA230UN	230 V a.c.	50/60	0.126/0.110	19/17	125/145	80/100	40.0/44.0	1.52	-10 ÷ +55	CE; cURus; cCSAus;
FF15PA230UNR	230 V a.c.	50/60	0.127/0.111	19/18	130/150	100/120	40.0/44.0	1.52	-10 ÷ +55	CE; cURus; cCSAus;

Technical specifications





General specifications

- Mounting without screws in square openings as indicated in the cut-out diagram
- Plate thickness from 1.3 to 3.7mm (up to 4mm with cut-out max tolerance)
- Plastic parts in PC/ABS alloy, except elastic clips, made in PA66 GF13HSL
- Standard color RAL 7035, other colors available on request, subject to quantity
- Permanent sealing gasket in polyurethane foam
- Filter media in thermo-linked progressive structure synthetic fibre
 - filter class G3 (optionally filter class G4), according to EN 779
- Filter media can be cleaned, up to 10 times by washing, blowing dry and lightly beating
- IP55, Type1, 3R and EMC versions on request
- UL approval according to UL 508 and CSA approval according to CSA/CAN 22.2 No. 14



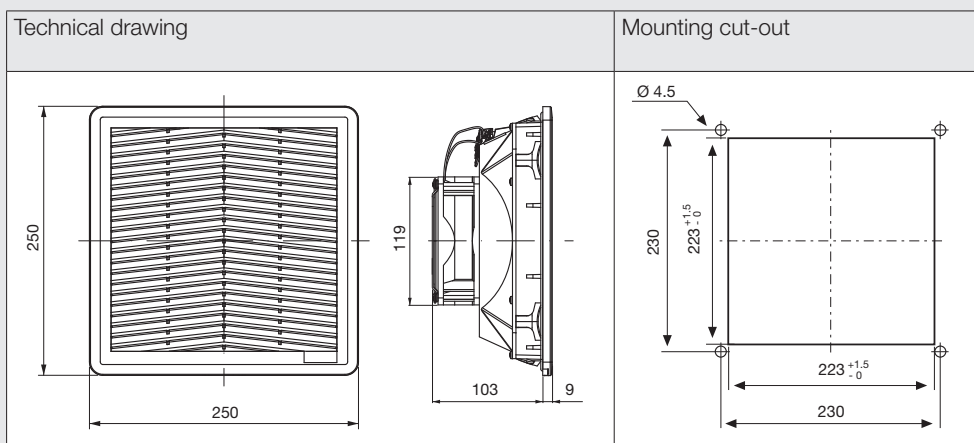
- ▶ Clip mounting system
- ▶ Easy media replacement
- ▶ Low profile

- ▶ Quick electrical connection with cage clamp terminal

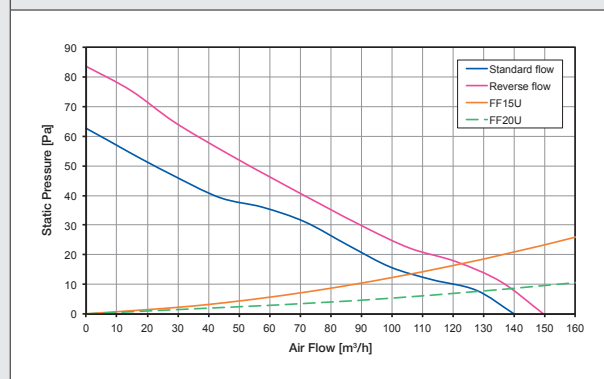
Technical data

Model	Rated Voltage	Rated Current	Rated power	Max air flow	Static Pressure	Noise	Weight	Working Temp. Range	Approvals
	V	A	W	m ³ /h	Pa	dB(A)	Kg	°C	
FF15PD24UN	24 V d.c.	0.320	7.6	140	63	42.0	1.2	-10 ÷ +55	CE; UR; cCSAus;
FF15PD24UNR	24 V d.c.	0.320	7.6	150	84	42.0	1.2	-10 ÷ +55	CE; UR; cCSAus;
FF15PD48UN	48 V d.c.	0.180	8.6	140	63	42.5	1.2	-10 ÷ +55	CE; UR; cCSAus;
FF15PD48UNR	48 V d.c.	0.180	8.6	150	84	42.5	1.2	-10 ÷ +55	CE; UR; cCSAus;

Technical specifications



Standard flow / Reverse flow





General specifications

- Mounting without screws in square openings as indicated in the cut-out diagram
- Plate thickness from 1.3 to 3.7mm (up to 4mm with cut-out max tolerance)
- Plastic parts in PC/ABS alloy, except elastic clips, made in PA66 GF13HSL
- Standard color RAL 7035, other colors available on request, subject to quantity
- Permanent sealing gasket in polyurethane foam
- Filter media in thermo-linked progressive structure synthetic fibre
 - filter class G3 (optionally filter class G4), according to EN 779
- Filter media can be cleaned, up to 10 times by washing, blowing dry and lightly beating
- IP55, Type1, 3R and EMC versions on request
- UL approval according to UL 508 and CSA approval according to CSA/CAN 22.2 No. 14

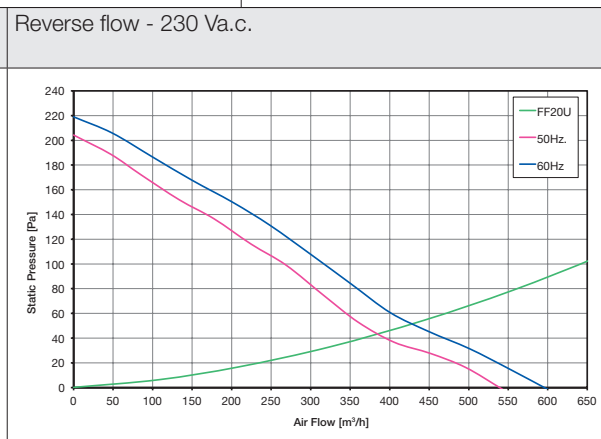
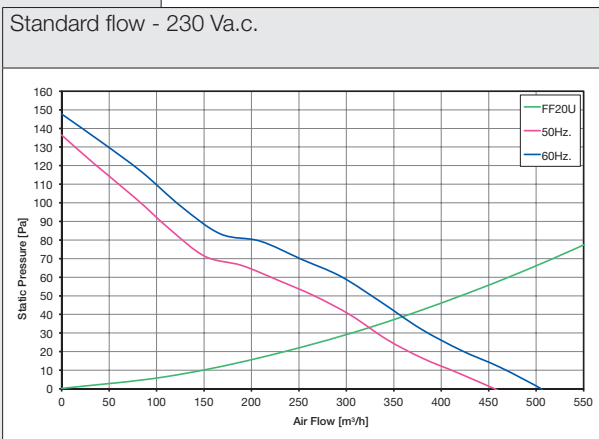
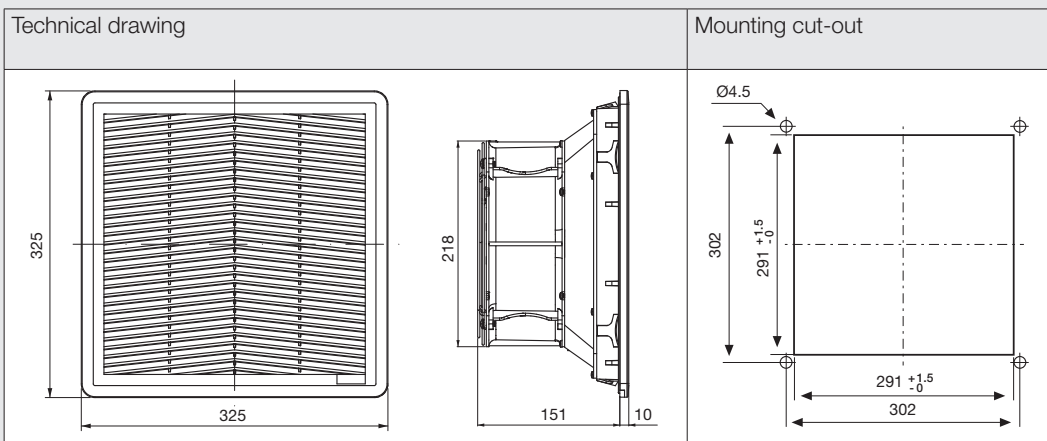


- ▶ Clip mounting system
- ▶ Easy media replacement
- ▶ Low profile
- ▶ SOON quick electrical connection with cage clamp terminal

Technical data

Model	Rated Voltage	Freq.	Rated Current	Rated power	Max air flow	Static Pressure	Noise	Weight	Working Temp. Range	Approvals
	V	Hz	A	W	m³/h	Pa	dB(A)	Kg	°C	
FF20A115UE	115 V a.c.	50/60	0.70/0.80	77/92	445/490	131/141	66.0/69.2	3.62	-10 ÷ +70	CE;
FF20A115UER	115 V a.c.	50/60	0.70/0.80	77/92	530/577	206/216	66.0/69.2	3.62	-10 ÷ +70	CE;
FF20A230UE	230 V a.c.	50/60	0.345/0.420	79/96	460/510	136/148	65.3/68.1	3.6	-10 ÷ +70	CE;
FF20A230UER	230 V a.c.	50/60	0.345/0.420	79/96	540/595	204/219	65.3/68.1	3.6	-10 ÷ +70	CE;

Technical specifications





General specifications

- Mounting without screws in square openings as indicated in the cut-out diagram
- Plate thickness from 1.3 to 3.7mm (up to 4mm with cut-out max tolerance)
- Plastic parts in PC/ABS alloy, except elastic clips, made in PA66 GF13HSL
- Standard color RAL 7035, other colors available on request, subject to quantity
- Permanent sealing gasket in polyurethane foam
- Filter media in thermo-linked progressive structure synthetic fibre
 - filter class G3 (optionally filter class G4), according to EN 779
- Filter media can be cleaned, up to 10 times by washing, blowing dry and lightly beating
- IP55, Type1, 3R and EMC versions on request
- UL approval according to UL 508 and CSA approval according to CSA/CAN 22.2 No. 14



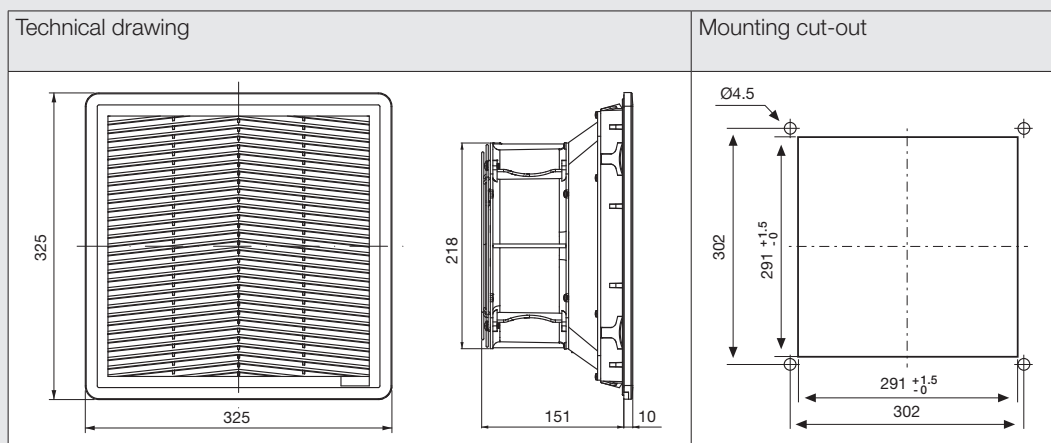
- ▶ Clip mounting system
- ▶ Easy media replacement
- ▶ Low profile

- ▶ SOON quick electrical connection with cage clamp terminal

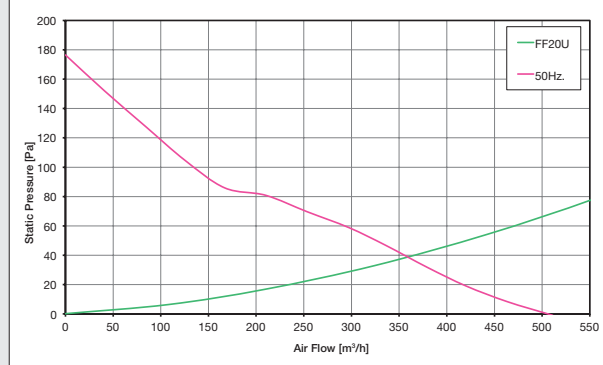
Technical data

Model	Rated Voltage	Freq.	Rated Current	Rated power	Max air flow	Static Pressure	Noise	Weight	Working Temp. Range	Approvals
	V	Hz	A	W	m ³ /h	Pa	dB(A)	Kg	°C	
FF20A400TUE	400 V 3 ~	50	0.280	174	510	176	61.0	3.75	-10 ÷ +70	CE;

Technical specifications



Standard flow





General specifications

- Mounting without screws in square openings as indicated in the cut-out diagram
- Plate thickness from 1.3 to 3.7mm (up to 4mm with cut-out max tolerance)
- Plastic parts in PC/ABS alloy, except elastic clips, made in PA66 GF13HSL
- Standard color RAL 7035, other colors available on request, subject to quantity
- Permanent sealing gasket in polyurethane foam
- Filter media in thermo-linked progressive structure synthetic fibre
 - filter class G3 (optionally filter class G4), according to EN 779
- Filter media can be cleaned, up to 10 times by washing, blowing dry and lightly beating
- IP55, Type1, 3R and EMC versions on request
- UL approval according to UL 508 and CSA approval according to CSA/CAN 22.2 No. 14

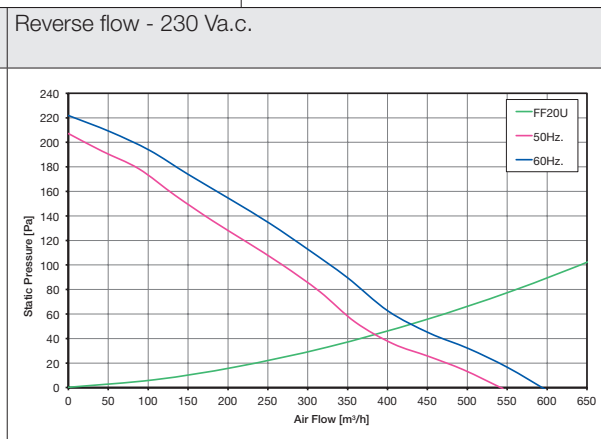
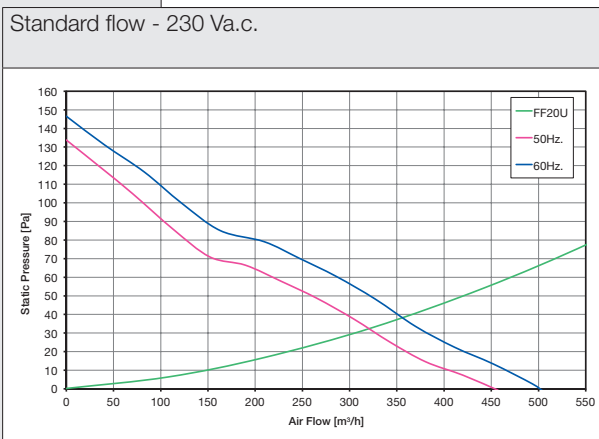
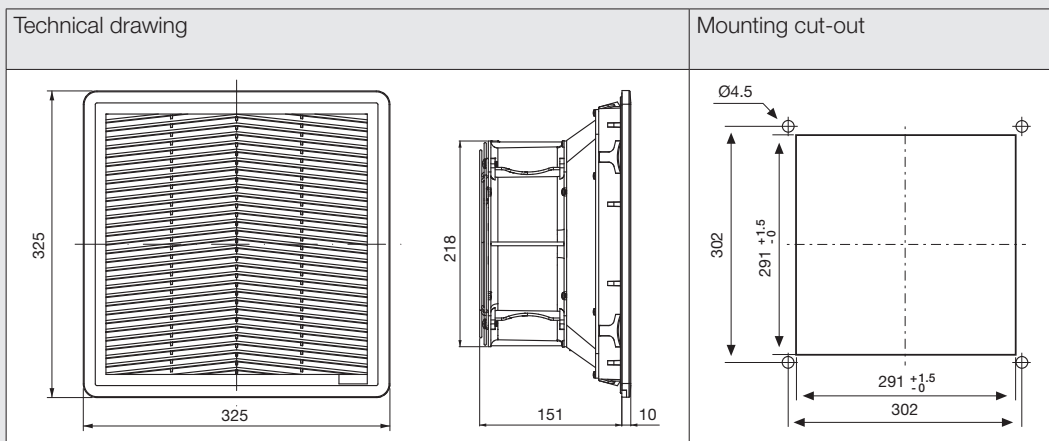


- ▶ Clip mounting system
- ▶ Easy media replacement
- ▶ Low profile
- ▶ SOON quick electrical connection with cage clamp terminal

Technical data

Model	Rated Voltage	Freq.	Rated Current	Rated power	Max air flow	Static Pressure	Noise	Weight	Working Temp. Range	Approvals
	V	Hz	A	W	m³/h	Pa	dB(A)	Kg	°C	
FF20A115UE1	115 V a.c.	50/60	0.68/0.73	74/83	445/485	129/140	66.0/69.2	3.62	-10 ÷ +55	CE; cURus; cCSAus;
FF20A115UER1	115 V a.c.	50/60	0.68/0.73	74/83	530/575	195/207	66.0/69.2	3.62	-10 ÷ +55	CE; cURus; cCSAus;
FF20A230UE1	230 V a.c.	50/60	0.310/0.350	70/85	455/503	134/146	65.3/68.1	3.6	-10 ÷ +55	CE; cURus; cCSAus;
FF20A230UER1	230 V a.c.	50/60	0.310/0.350	70/85	540/590	207/221	65.3/68.1	3.6	-10 ÷ +55	CE; cURus; cCSAus;

Technical specifications





General specifications

- Mounting without screws in square openings as indicated in the cut-out diagram
- Plate thickness from 1.3 to 3.7mm (up to 4mm with cut-out max tolerance)
- Plastic parts in PC/ABS alloy, except elastic clips, made in PA66 GF13HSL
- Standard color RAL 7035, other colors available on request, subject to quantity
- Permanent sealing gasket in polyurethane foam
- Filter media in thermo-linked progressive structure synthetic fibre
 - filter class G3 (optionally filter class G4), according to EN 779
- Filter media can be cleaned, up to 10 times by washing, blowing dry and lightly beating
- Type1, 3R and EMC versions on request
- UL approval according to UL 508 and CSA approval according to CSA/CAN 22.2 No. 14

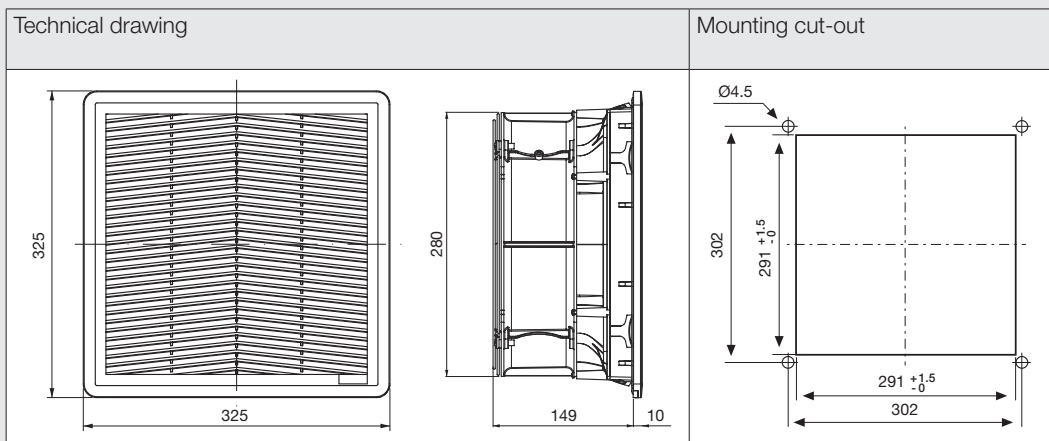


- ▶ Clip mounting system
- ▶ Easy media replacement
- ▶ Low profile
- ▶ High performances
- ▶ SOON quick electrical connection with cage clamp terminal

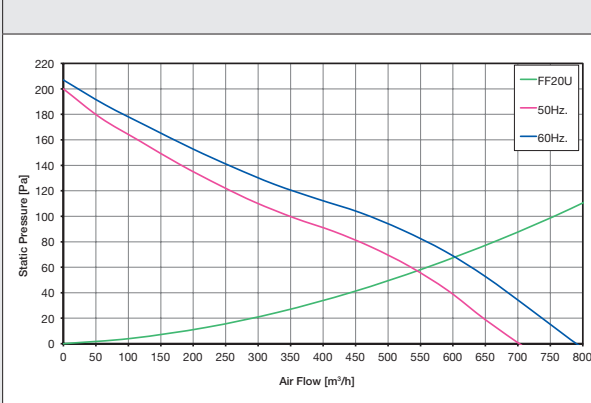
Technical data

Model	Rated Voltage	Freq.	Rated Current	Rated power	Max air flow	Static Pressure	Noise	Weight	Working Temp. Range	Approvals
	V	Hz	A	W	m³/h	Pa	dB(A)	Kg	°C	
FF20GA115UE	115 V a.c.	50/60	1.3/1.5	143/177	708/775	188/181	74.7/78.9	4.58	-10 ÷ +60	CE;
FF20GA115UER	115 V a.c.	50/60	1.1/1.7	124/192	760/845	282/258	74.7/78.9	4.7	-10 ÷ +60	CE;
FF20GA230UE	230 V a.c.	50/60	0.67/0.84	155/194	705/790	200/206	72.8/75.8	4.53	-10 ÷ +60	CE;
FF20GA230UER	230 V a.c.	50/60	0.74/0.90	170/208	773/870	306/291	72.8/75.8	4.53	-10 ÷ +60	CE;

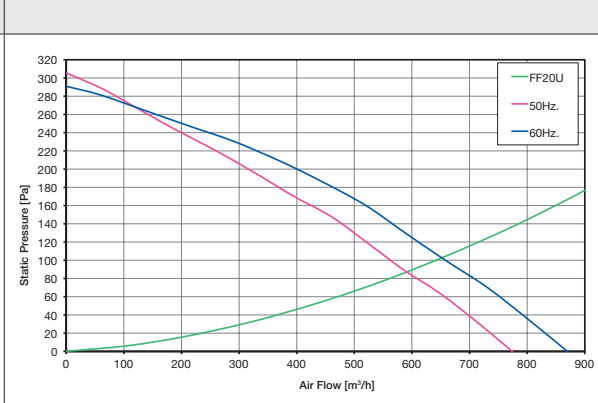
Technical specifications



Standard flow - 230 Va.c.



Reverse flow - 230 Va.c.





General specifications

- Mounting without screws in square openings as indicated in the cut-out diagram
- Plate thickness from 1.3 to 3.7mm (up to 4mm with cut-out max tolerance)
- Plastic parts in PC/ABS alloy, except elastic clips, made in PA66 GF13HSL
- Standard color RAL 7035, other colors available on request, subject to quantity
- Permanent sealing gasket in polyurethane foam
- Filter media in thermo-linked progressive structure synthetic fibre
- filter class G2, according to EN 779
- Filter media can be cleaned, up to 10 times by washing, blowing dry and lightly beating
- EMC versions on request

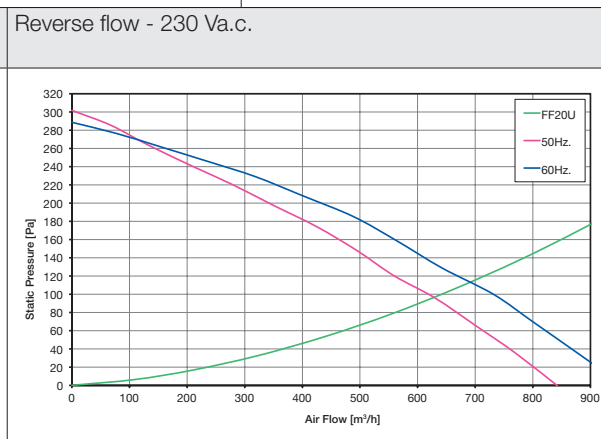
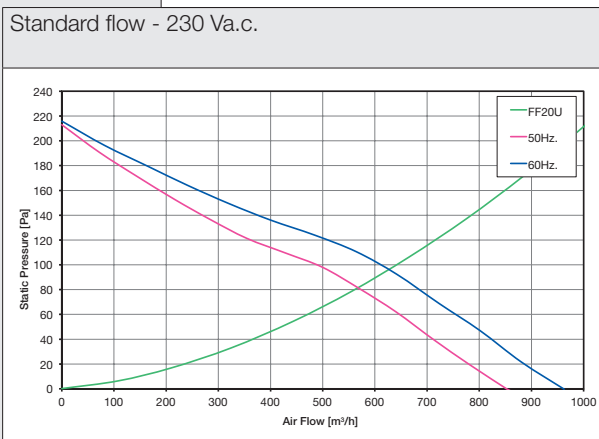
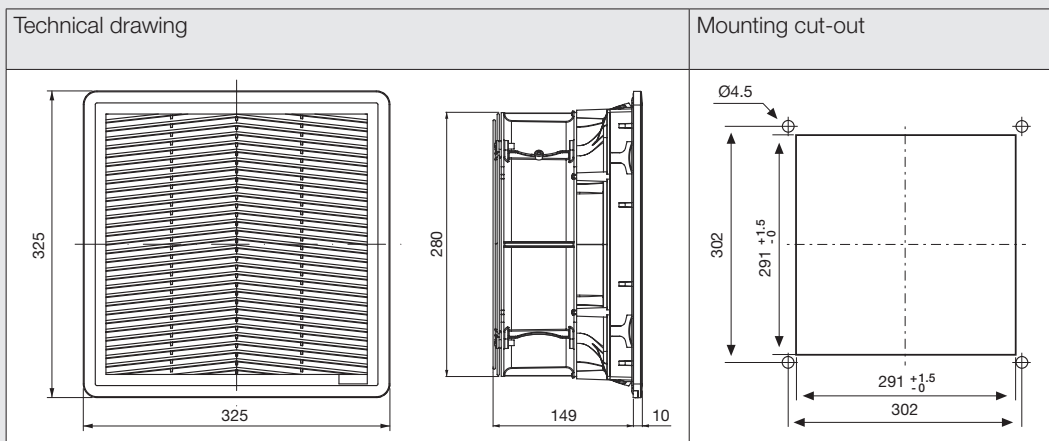


- ▶ Clip mounting system
- ▶ Easy media replacement
- ▶ Low profile
- ▶ High performances
- ▶ SOON quick electrical connection with cage clamp terminal

Technical data

Model	Rated Voltage	Freq.	Rated Current	Rated power	Max air flow	Static Pressure	Noise	Weight	Working Temp. Range	Approvals
	V	Hz	A	W	m³/h	Pa	dB(A)	Kg	°C	
FF20GA115UEA	115 V a.c.	50/60	1.3/1.6	146/179	875/960	200/189	74.7/78.9	4.58	-10 ÷ +60	CE;
FF20GA115UERA	115 V a.c.	50/60	1.1/1.1	124/124	820/920	279/255	74.7/78.9	4.7	-10 ÷ +60	CE;
FF20GA230UEA	230 V a.c.	50/60	0.69/0.86	158/198	850/960	213/216	72.8/75.8	4.52	-10 ÷ +60	CE;
FF20GA230UERA	230 V a.c.	50/60	0.74/0.91	171/210	840/958	302/289	72.8/75.8	4.53	-10 ÷ +60	CE;

Technical specifications





General specifications

- Mounting without screws in square openings as indicated in the cut-out diagram
- Plate thickness from 1.3 to 3.7mm (up to 4mm with cut-out max tolerance)
- Plastic parts in PC/ABS alloy, except elastic clips, made in PA66 GF13HSL
- Standard color RAL 7035, other colors available on request, subject to quantity
- Permanent sealing gasket in polyurethane foam
- Filter media in thermo-linked progressive structure synthetic fibre
 - filter class G3 (optionally filter class G4), according to EN 779
- Filter media can be cleaned, up to 10 times by washing, blowing dry and lightly beating
- Type1, 3R and EMC versions on request
- UL approval according to UL 508 and CSA approval according to CSA/CAN 22.2 No. 14

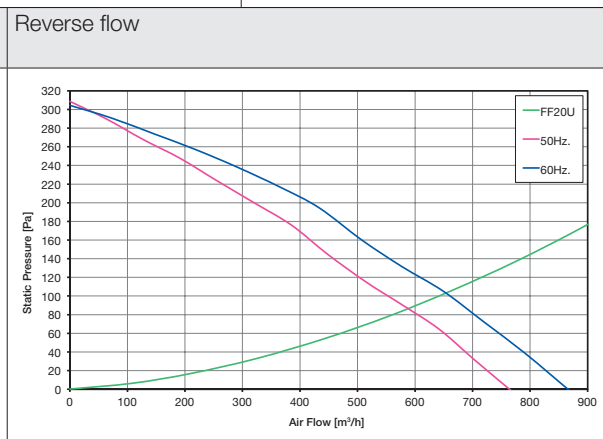
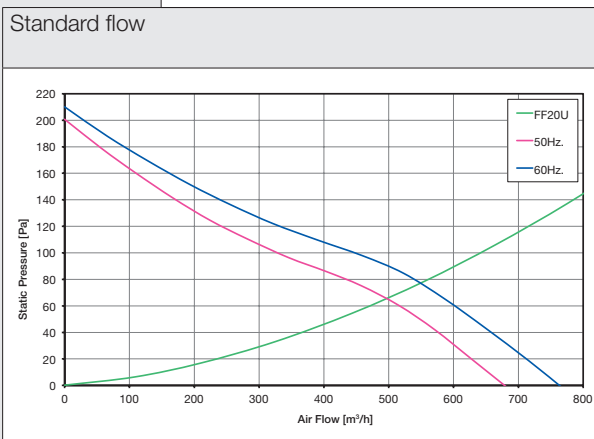
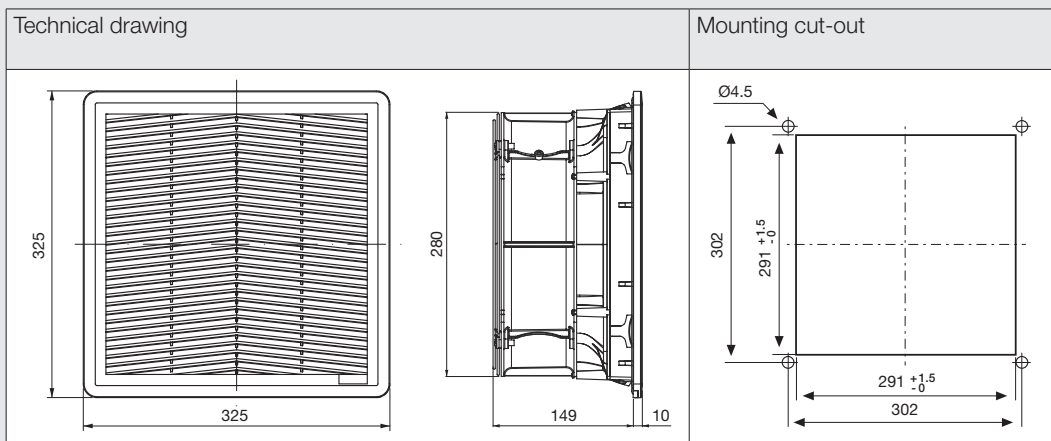


- ▶ Clip mounting system
- ▶ Easy media replacement
- ▶ Low profile
- ▶ High performances
- ▶ SOON quick electrical connection with cage clamp terminal

Technical data

Model	Rated Voltage	Freq.	Rated Current	Rated power	Max air flow	Static Pressure	Noise	Weight	Working Temp. Range	Approvals
	V	Hz	A	W	m³/h	Pa	dB(A)	Kg	°C	
FF20GA115UE1	115 V a.c.	50/60	1.18/1.46	124/146	675/738	183/170	74.7/78.9	4.62	-10 ÷ +55	CE; cURus; cCSAus;
FF20GA115UER1	115 V a.c.	50/60	1.16/1.49	125/171	760/850	280/254	74.7/78.9	4.57	-10 ÷ +55	CE; cURus; cCSAus;
FF20GA230UE1	230 V a.c.	50/60	0.53/0.69	120/158	680/765	200/210	66.0/69.2	4.72	-10 ÷ +55	CE; cURus; cCSAus;
FF20GA230UER1	230 V a.c.	50/60	0.53/0.69	120/157	760/860	308/304	67.6/70.6	4.68	-10 ÷ +55	CE; cURus; cCSAus;

Technical specifications





General specifications

- Mounting without screws in square openings as indicated in the cut-out diagram
- Plate thickness from 1.3 to 3.7mm (up to 4mm with cut-out max tolerance)
- Plastic parts in PC/ABS alloy, except elastic clips, made in PA66 GF13HSL
- Standard color RAL 7035, other colors available on request, subject to quantity
- Permanent sealing gasket in polyurethane foam
- Filter media in thermo-linked progressive structure synthetic fibre
 - filter class G2, according to EN 779
- Filter media can be cleaned, up to 10 times by washing, blowing dry and lightly beating
- EMC versions on request
- UL approval according to UL 508 and CSA approval according to CSA/CAN 22.2 No. 14



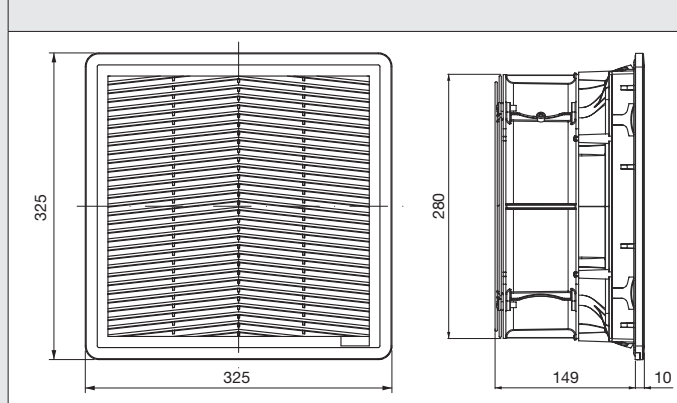
- ▶ Clip mounting system
- ▶ Easy media replacement
- ▶ Low profile
- ▶ High performances
- ▶ SOON quick electrical connection with cage clamp terminal

Technical data

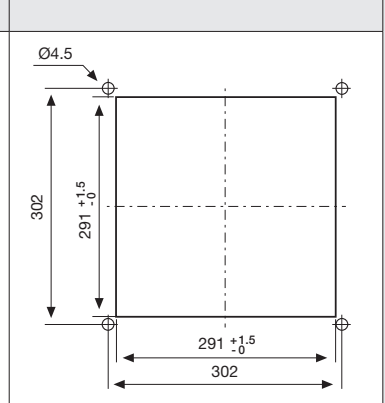
Model	Rated Voltage	Freq.	Rated Current	Rated power	Max air flow	Static Pressure	Noise	Weight	Working Temp. Range	Approvals
	V	Hz	A	W	m³/h	Pa	dB(A)	Kg	°C	
FF20GA115UEA1	115 V a.c.	50/60	1.18/1.46	124/146	893/960	200/176	74.7/78.9	4.57	-10 ÷ +55	CE; cURus; cCSAus;
FF20GA115UERA1	115 V a.c.	50/60	1.16/1.49	125/171	820/925	279/251	74.7/78.9	4.57	-10 ÷ +55	CE; cURus; cCSAus;
FF20GA230UEA1	230 V a.c.	50/60	0.53/0.69	120/158	895/998	220/222	66.0/69.2	4.68	-10 ÷ +55	CE; cURus; cCSAus;
FF20GA230UERA1	230 V a.c.	50/60	0.53/0.69	120/157	825/930	305/295	67.6/70.6	4.68	-10 ÷ +55	CE; cURus; cCSAus;

Technical specifications

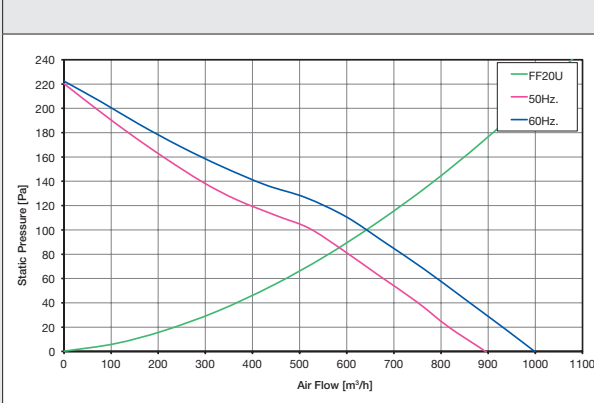
Technical drawing



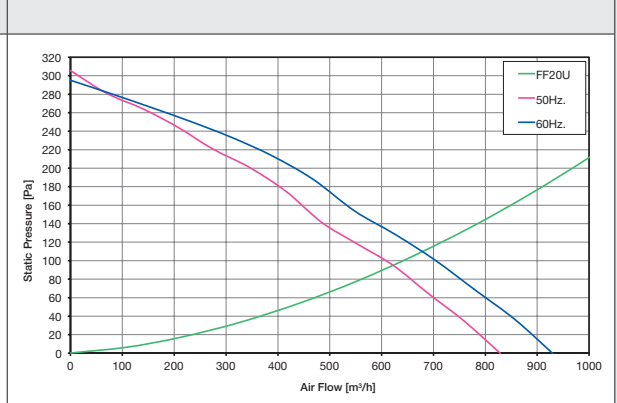
Mounting cut-out



Standard flow - 230 Va.c.



Reverse flow - 230 Va.c.





General specifications

- Mounting without screws in square openings as indicated in the cut-out diagram
- Plate thickness from 1.3 to 3.7mm (up to 4mm with cut-out max tolerance)
- Plastic parts in PC/ABS alloy, except elastic clips, made in PA66 GF13HSL
- Standard color RAL 7035, other colors available on request, subject to quantity
- Permanent sealing gasket in polyurethane foam
- Filter media in thermo-linked progressive structure synthetic fibre
 - filter class G3 (optionally filter class G4), according to EN 779
- Filter media can be cleaned, up to 10 times by washing, blowing dry and lightly beating
- IP55, Type1, 3R and EMC versions on request
- UL approval according to UL 508 and CSA approval according to CSA/CAN 22.2 No. 14

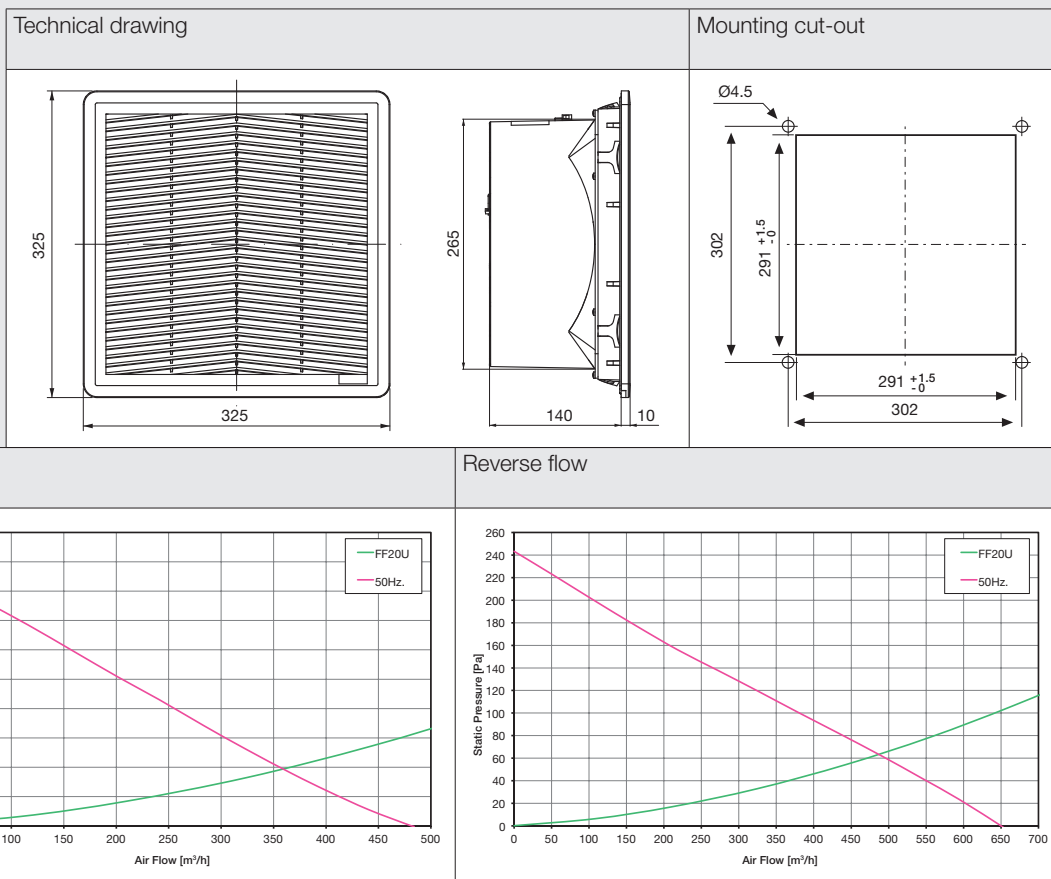


- ▶ Clip mounting system
- ▶ Easy media replacement
- ▶ Low profile
- ▶ High performances
- ▶ SOON quick electrical connection with cage clamp terminal

Technical data

Model	Rated Voltage	Freq.	Rated Current	Rated power	Max air flow	Static Pressure	Noise	Weight	Working Temp. Range	Approvals
	V	Hz	A	W	m ³ /h	Pa	dB(A)	Kg	°C	
FF20GEA400TUE	400 V 3 ~	50	0.220	137	485	180	69.0	4.09	-10 ÷ +55	CE;
FF20GEA400TUER	400 V 3 ~	50/60	0.250/0.280	137/173	645/695	240/255	69.0/72.0	3.55	-10 ÷ +55	CE;

Technical specifications





General specifications

- Mounting without screws in square openings as indicated in the cut-out diagram
- Plate thickness between 1.5 and 2.2mm
- Plastic parts in PC/ABS alloy
- Permanent sealing gasket in polyurethane foam
- Filter media in thermo-linked progressive structure synthetic fibre
- filter class G3 (optionally filter class G4), according to EN 779
- Filter media can be cleaned, up to 10 times by washing, blowing dry and lightly beating
- IP55, Type1, 3R and EMC versions on request
- UL approval according to UL 508

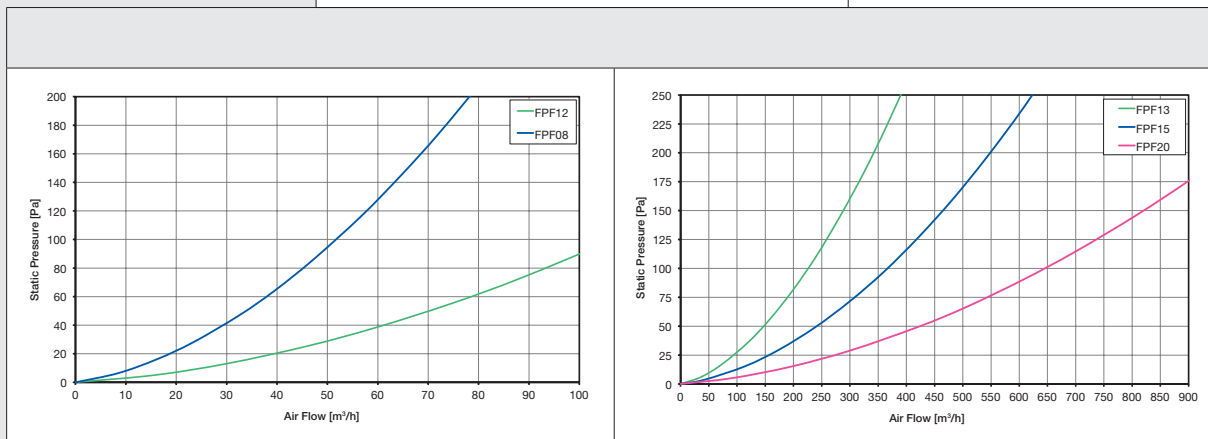
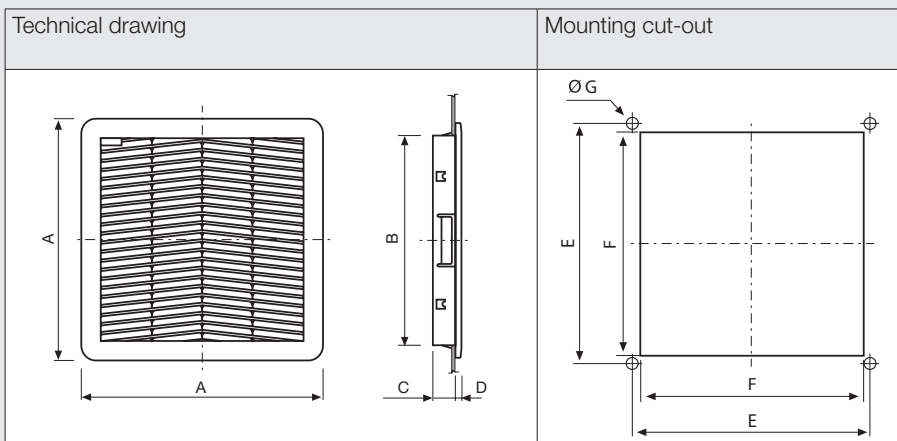


- ▶ Clip mounting system
- ▶ Low profile

Technical data

Model	A	B	C	D	E	F	G	Weight	Approvals
	mm	mm	mm	mm	mm	mm	mm	Kg	
FPF08KUG-101	105	91	14	7	95	91.5	1.8	0.09	CE; cURus;
FPF12KUG-100	150	124	21	7	131	125	4.5	0.22	CE; cURus;
FPF13KUG-100	204	175	20	8	185	177	4.5	0.33	CE; cURus;
FPF15KUG-100	250	220	23	8	230	223	4.5	0.57	CE; cURus;
FPF20KUG-100	325	288	24	9	302	291	4.5	0.94	CE; cURus;

Technical specifications





General specifications

- Mounting without screws in square openings as indicated in the cut-out diagram
- Plate thickness between 1.5 and 2.2mm
- Plastic parts in PC/ABS alloy
- Permanent sealing gasket in polyurethane foam
- Filter media in thermo-linked progressive structure synthetic fibre
- filter class G3 (optionally filter class G4), according to EN 779
- Filter media can be cleaned, up to 10 times by washing, blowing dry and lightly beating
- IP55, Type1, 3R and EMC versions on request
- UL approval according to UL 508

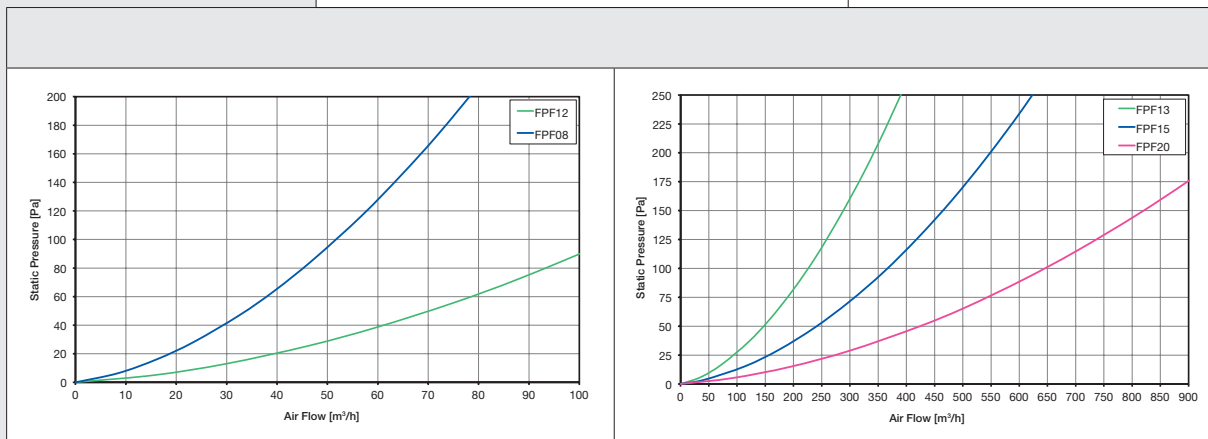
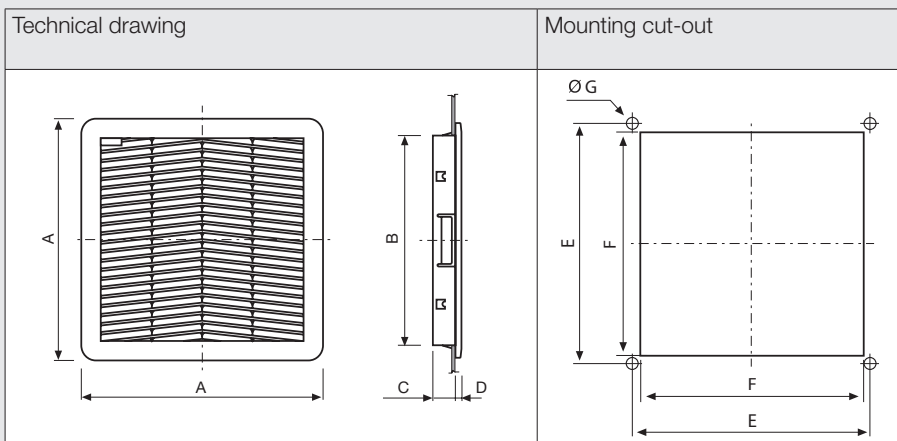


- ▶ Electromagnetic radiation protection
- ▶ Clip mounting system
- ▶ Low profile

Technical data

Model	A	B	C	D	E	F	G	Weight	Approvals
	mm	mm	mm	mm	mm	mm	mm	Kg	
FPF12KUGC-110	150	124	21	7	131	125	4.5	0.24	CE;
FPF13KUGC-110	204	175	20	8	185	177	4.5	0.34	CE;
FPF15KRGC-110	250	220	23	8	230	223	4.5	0.61	CE;
FPF15KUGC-110	250	220	23	8	230	223	4.5	0.61	CE;
FPF20KRGC-110	325	288	24	9	302	291	4.5	1	CE;
FPF20KUGC-110	325	288	24	9	302	291	4.5	0.98	CE;

Technical specifications





General specifications

- Mounting without screws in square openings as indicated in the cut-out diagram
- Plate thickness between 1.5 and 2.2mm
- Plastic parts in PC/ABS alloy
- Permanent sealing gasket in polyurethane foam
- Filter media in thermo-linked progressive structure synthetic fibre
- filter class G3 (optionally filter class G4), according to EN 779
- Filter media can be cleaned, up to 10 times by washing, blowing dry and lightly beating
- IP55, Type1, 3R and EMC versions on request
- UL approval according to UL 508

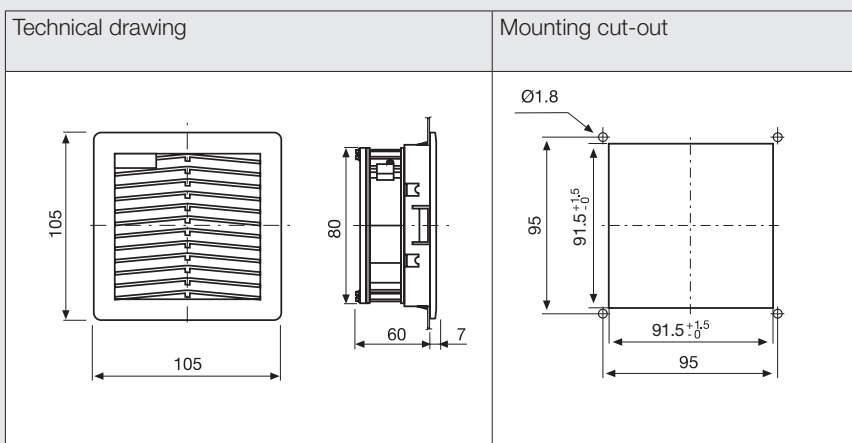


- ▶ Clip mounting system
- ▶ Low profile

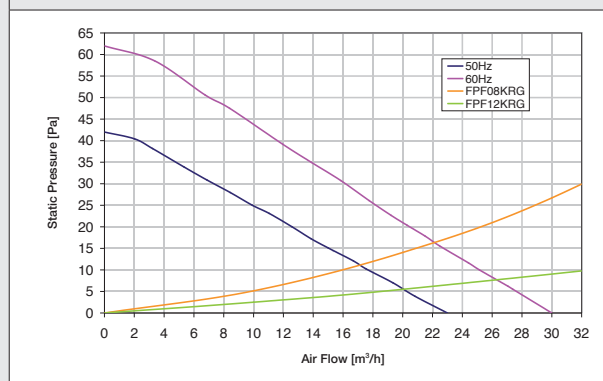
Technical data

Model	Rated Voltage	Freq.	Rated Current	Rated power	Max air flow	Static Pressure	Noise	Weight	Working Temp. Range	Approvals
	V	Hz	A	W	m³/h	Pa	dB(A)	Kg	°C	
FPF08KU115B-110	115 V a.c.	50/60	0.115/0.092	9.0/7.0	23/30	42/62	33.0/38.0	0.49	-10 ÷ +50	CE; cURus;
FPF08KU115BR-110	115 V a.c.	50/60	0.115/0.092	9.0/7.0	23/30	42/62	33.0/38.0	0.49	-10 ÷ +50	CE; cURus;
FPF08KU230B-110	230 V a.c.	50/60	0.07/0.055	10/8.0	23/30	42/62	33.0/38.0	0.45	-10 ÷ +50	CE; cURus;
FPF08KU230BR-110	230 V a.c.	50/60	0.07/0.055	10/8.0	23/30	42/62	32.0/36.0	0.45	-10 ÷ +50	CE; cURus;

Technical specifications



Standard flow / Reverse flow



General specifications



- Mounting without screws in square openings as indicated in the cut-out diagram
- Plate thickness between 1.5 and 2.2mm
- Plastic parts in PC/ABS alloy
- Permanent sealing gasket in polyurethane foam
- Filter media in thermo-linked progressive structure synthetic fibre
- filter class G3 (optionally filter class G4), according to EN 779
- Filter media can be cleaned, up to 10 times by washing, blowing dry and lightly beating
- IP55, Type1, 3R and EMC versions on request
- UL approval according to UL 508

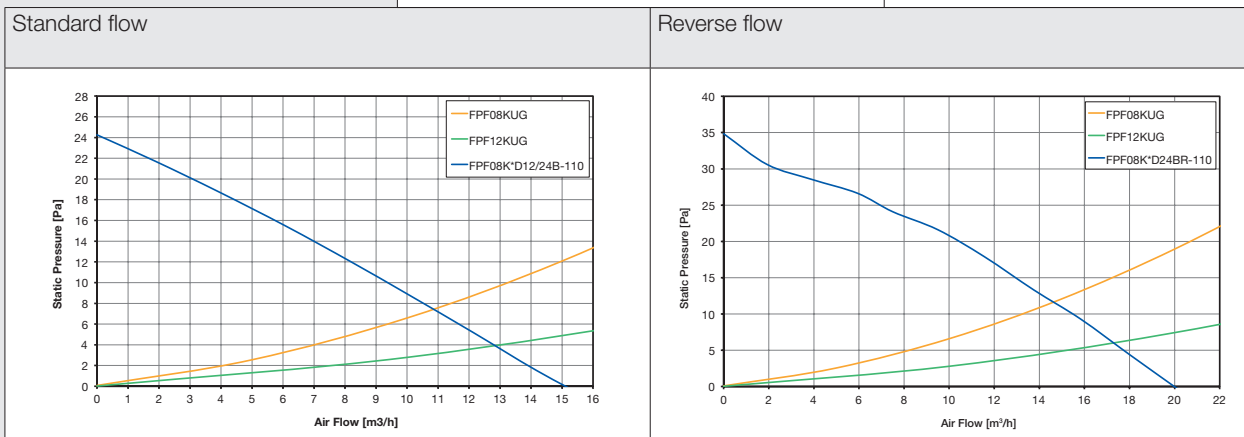
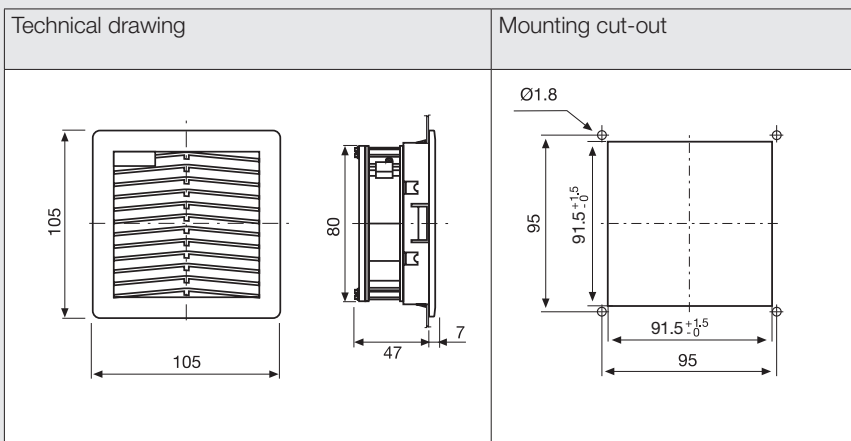


- ▶ Clip mounting system
- ▶ Low profile

Technical data

Model	Rated Voltage	Rated Current	Rated power	Max air flow	Static Pressure	Noise	Weight	Working Temp. Range	Approvals
	V	A	W	m³/h	Pa	dB(A)	Kg	°C	
FPF08KUD12B-110	12 V d.c.	0.183	2.2	15	24	32.5	0.23	-10 ÷ +70	CE;
FPF08KUD24B-110	24 V d.c.	0.150	3.6	15	24	32.5	0.23	-10 ÷ +50	CE; cURus;
FPF08KUD24BR-110	24 V d.c.	0.150	3.6	20	35	32.5	0.23	-10 ÷ +50	CE; cURus;

Technical specifications





General specifications

- Mounting without screws in square openings as indicated in the cut-out diagram
- Plate thickness between 1.5 and 2.2mm
- Plastic parts in PC/ABS alloy
- Permanent sealing gasket in polyurethane foam
- Filter media in thermo-linked progressive structure synthetic fibre
- filter class G3 (optionally filter class G4), according to EN 779
- Filter media can be cleaned, up to 10 times by washing, blowing dry and lightly beating
- IP55, Type1, 3R and EMC versions on request
- UL approval according to UL 508

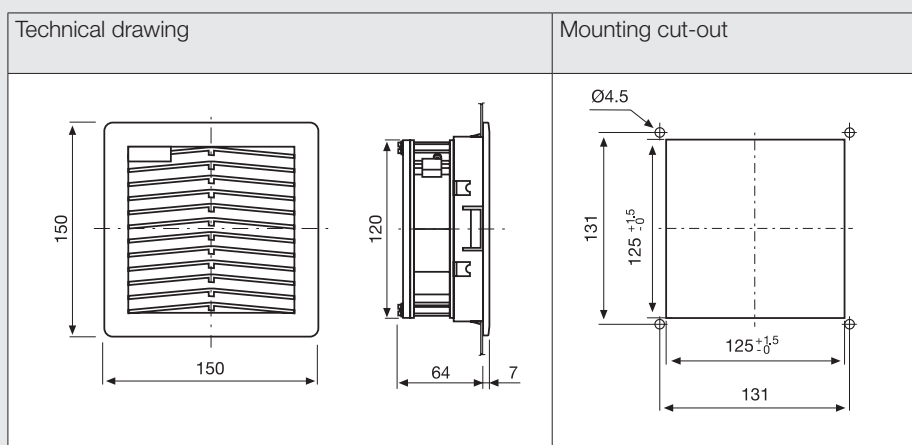


- ▶ Clip mounting system
- ▶ Low profile

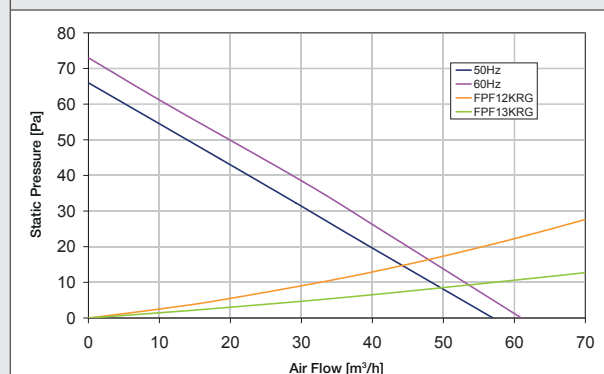
Technical data

Model	Rated Voltage	Freq.	Rated Current	Rated power	Max air flow	Static Pressure	Noise	Weight	Working Temp. Range	Approvals
	V	Hz	A	W	m³/h	Pa	dB(A)	Kg	°C	
FPF12KU115BE-110	115 V a.c.	50/60	0.210/0.180	20/18	57/61	66/73	46.0/49.0	0.78	-10 ÷ +50	CE; cURus;
FPF12KU115BER-110	115 V a.c.	50/60	0.210/0.180	20/18	57/61	66/73	46.0/49.0	0.79	-10 ÷ +50	CE; cURus;
FPF12KU230BE-110	230 V a.c.	50/60	0.125/0.110	20/19	57/61	66/73	46.0/49.0	0.78	-10 ÷ +50	CE; cURus;
FPF12KU230BER-110	230 V a.c.	50/60	0.125/0.110	20/19	57/61	66/73	46.0/49.0	0.78	-10 ÷ +50	CE; cURus;
FPF12KR24BE-110	24 V a.c.	50/60	0.810/0.850	15/16	57/61	66/73	46.0/49.0	0.78	-10 ÷ +50	CE;
FPF12KU24BER-110	24 V a.c.	50/60	0.810/0.850	15/16	57/61	66/73	46.0/49.0	0.78	-10 ÷ +50	CE;

Technical specifications



Standard flow / Reverse flow





General specifications

- Mounting without screws in square openings as indicated in the cut-out diagram
- Plate thickness between 1.5 and 2.2mm
- Plastic parts in PC/ABS alloy
- Permanent sealing gasket in polyurethane foam
- Filter media in thermo-linked progressive structure synthetic fibre
- filter class G3 (optionally filter class G4), according to EN 779
- Filter media can be cleaned, up to 10 times by washing, blowing dry and lightly beating
- IP55, Type1, 3R and EMC versions on request
- UL approval according to UL 508

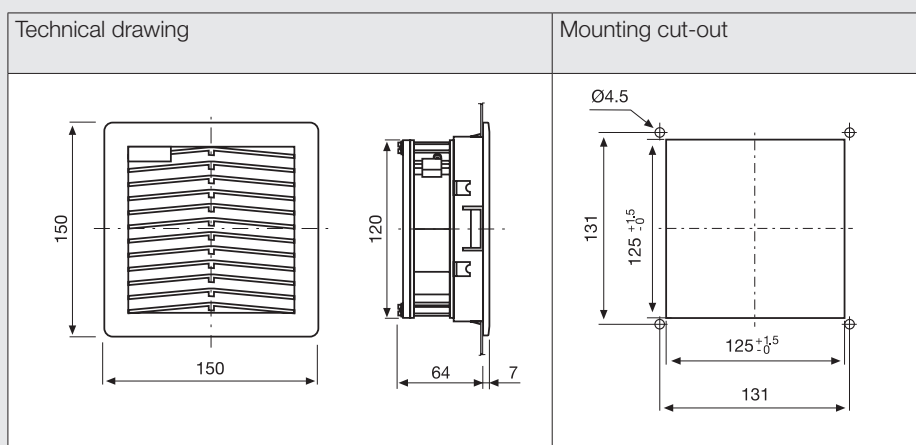


- ▶ Clip mounting system
- ▶ Low profile

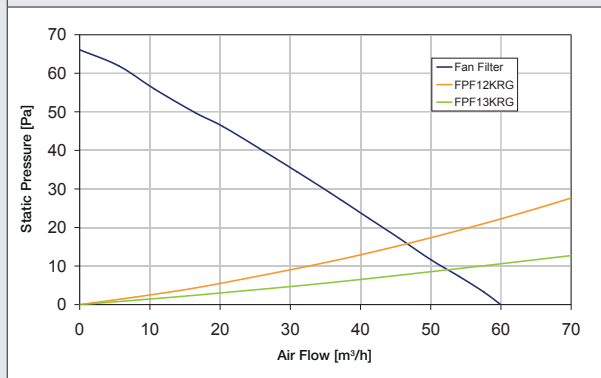
Technical data

Model	Rated Voltage	Rated Current	Rated power	Max air flow	Static Pressure	Noise	Weight	Working Temp. Range	Approvals
	V	A	W	m³/h	Pa	dB(A)	Kg	°C	
FPF12KUD24B-110	24 V d.c.	0.400	9.6	60	66	42.5	0.55	-10 ÷ +50	CE; cURus;
FPF12KUD24BR-110	24 V d.c.	0.400	9.6	60	66	42.5	0.55	-10 ÷ +50	CE; cURus;
FPF12KUD48B-110	48 V d.c.	0.160	7.7	60	66	42.5	0.55	-10 ÷ +55	CE;

Technical specifications



Standard flow / Reverse flow





General specifications

- Mounting without screws in square openings as indicated in the cut-out diagram
- Plate thickness between 1.5 and 2.2mm
- Plastic parts in PC/ABS alloy
- Permanent sealing gasket in polyurethane foam
- Filter media in thermo-linked progressive structure synthetic fibre
- filter class G3 (optionally filter class G4), according to EN 779
- Filter media can be cleaned, up to 10 times by washing, blowing dry and lightly beating
- IP55, Type1, 3R and EMC versions on request
- UL approval according to UL 508

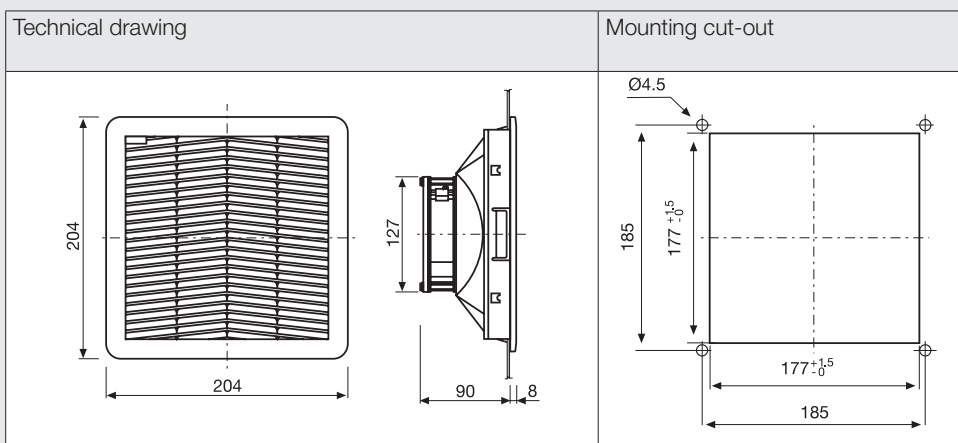


- ▶ Clip mounting system
- ▶ Low profile

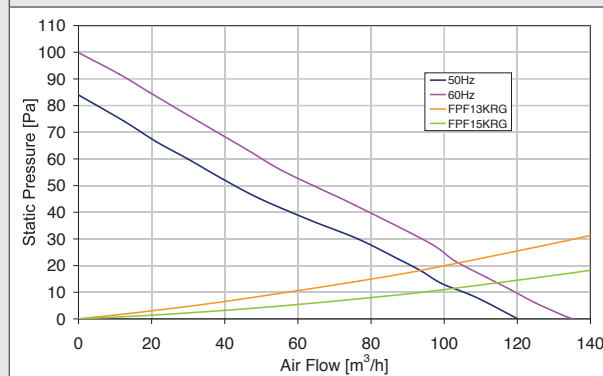
Technical data

Model	Rated Voltage	Freq.	Rated Current	Rated power	Max air flow	Static Pressure	Noise	Weight	Working Temp. Range	Approvals
	V	Hz	A	W	m³/h	Pa	dB(A)	Kg	°C	
FPF13KU115BE-110	115 V a.c.	50/60	0.200/0.160	22/20	120/135	84/100	46.0/50.0	1.11	-10 ÷ +50	CE; cURus;
FPF13KU115BER-110	115 V a.c.	50/60	0.200/0.160	22/20	120/135	84/100	46.0/50.0	1.11	-10 ÷ +50	CE; cURus;
FPF13KU230BE-110	230 V a.c.	50/60	0.100/0.090	23/21	120/135	84/100	46.0/50.0	1.09	-10 ÷ +50	CE; cURus;
FPF13KU230BER-110	230 V a.c.	50/60	0.100/0.090	23/21	120/135	84/100	46.0/50.0	1.09	-10 ÷ +50	CE; cURus;

Technical specifications



Standard flow / Reverse flow





General specifications

- Mounting without screws in square openings as indicated in the cut-out diagram
- Plate thickness between 1.5 and 2.2mm
- Plastic parts in PC/ABS alloy
- Permanent sealing gasket in polyurethane foam
- Filter media in thermo-linked progressive structure synthetic fibre
- filter class G3 (optionally filter class G4), according to EN 779
- Filter media can be cleaned, up to 10 times by washing, blowing dry and lightly beating
- IP55, Type1, 3R and EMC versions on request
- UL approval according to UL 508

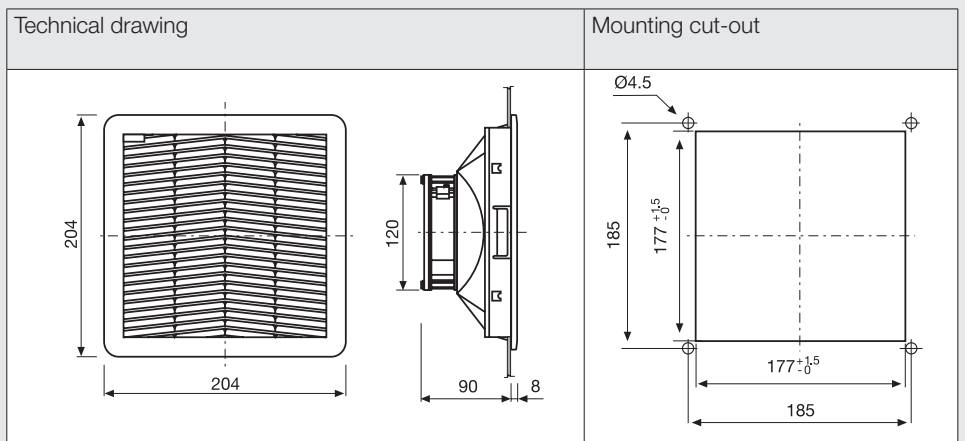


- ▶ Clip mounting system
- ▶ Low profile

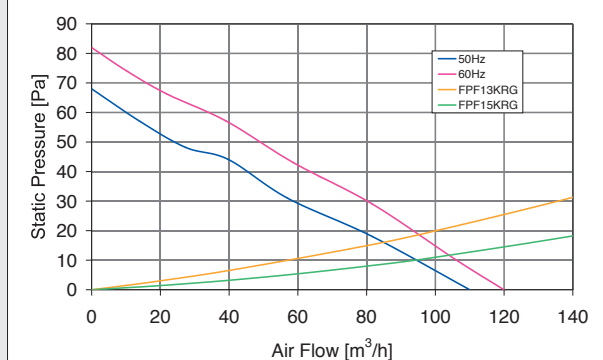
Technical data

Model	Rated Voltage	Freq.	Rated Current	Rated power	Max air flow	Static Pressure	Noise	Weight	Working Temp. Range	Approvals
	V	Hz	A	W	m³/h	Pa	dB(A)	Kg	°C	
FPF13KPU115BE-110	115 V a.c.	50/60	0.210/0.180	20/18	110/120	68/82	46.0/50.0	1.05	-10 ÷ +50	CE; cURus;
FPF13KPU115BER-110	115 V a.c.	50/60	0.210/0.180	20/18	110/120	68/82	46.0/50.0	1.05	-10 ÷ +50	CE; cURus;
FPF13KPU230BE-110	230 V a.c.	50/60	0.125/0.110	20/19	110/120	68/82	46.0/50.0	1.04	-10 ÷ +50	CE; cURus;
FPF13KPU230BER-110	230 V a.c.	50/60	0.125/0.110	20/19	110/120	68/82	46.0/50.0	1.04	-10 ÷ +50	CE; cURus;

Technical specifications



Standard flow / Reverse flow





General specifications

- Mounting without screws in square openings as indicated in the cut-out diagram
- Plate thickness between 1.5 and 2.2mm
- Plastic parts in PC/ABS alloy
- Permanent sealing gasket in polyurethane foam
- Filter media in thermo-linked progressive structure synthetic fibre
- filter class G3 (optionally filter class G4), according to EN 779
- Filter media can be cleaned, up to 10 times by washing, blowing dry and lightly beating
- IP55, Type1, 3R and EMC versions on request
- UL approval according to UL 508

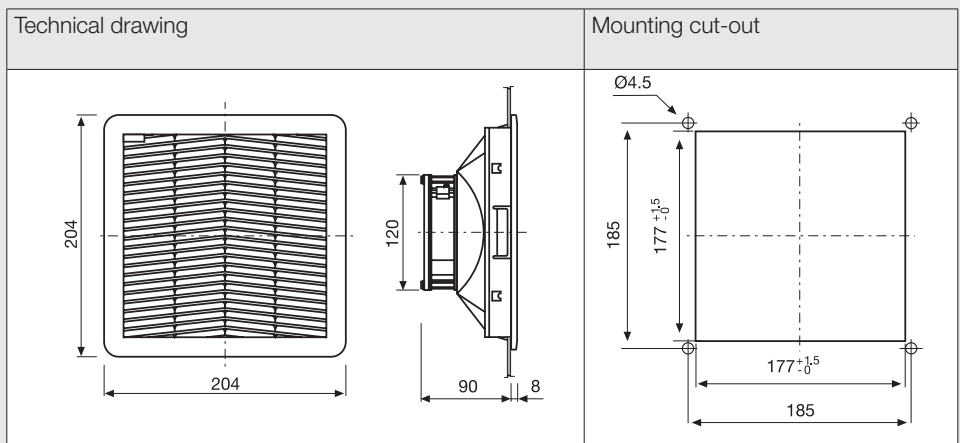


- ▶ Clip mounting system
- ▶ Low profile

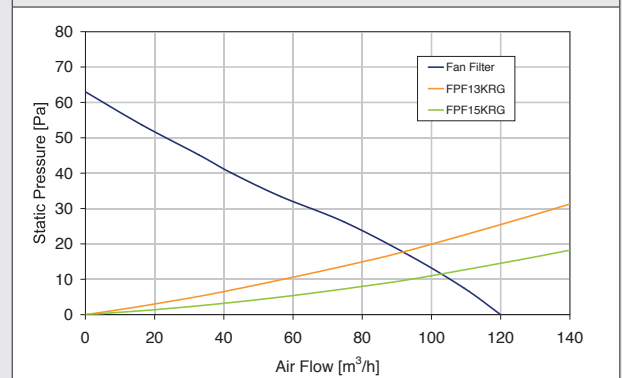
Technical data

Model	Rated Voltage	Rated Current	Rated power	Max air flow	Static Pressure	Noise	Weight	Working Temp. Range	Approvals
	V	A	W	m³/h	Pa	dB(A)	Kg	°C	
FPF13KPRD24B-110	24 V d.c.	0.400	9.6	120	63	42.5	0.81	-10 ÷ +50	CE; cURus;
FPF13KPRD24BR-110	24 V d.c.	0.400	9.6	120	63	42.5	0.81	-10 ÷ +50	CE; cURus;

Technical specifications



Standard flow / Reverse flow



General specifications



- Mounting without screws in square openings as indicated in the cut-out diagram
- Plate thickness between 1.5 and 2.2mm
- Plastic parts in PC/ABS alloy
- Permanent sealing gasket in polyurethane foam
- Filter media in thermo-linked progressive structure synthetic fibre
- filter class G3 (optionally filter class G4), according to EN 779
- Filter media can be cleaned, up to 10 times by washing, blowing dry and lightly beating
- IP55, Type1, 3R and EMC versions on request
- UL approval according to UL 508

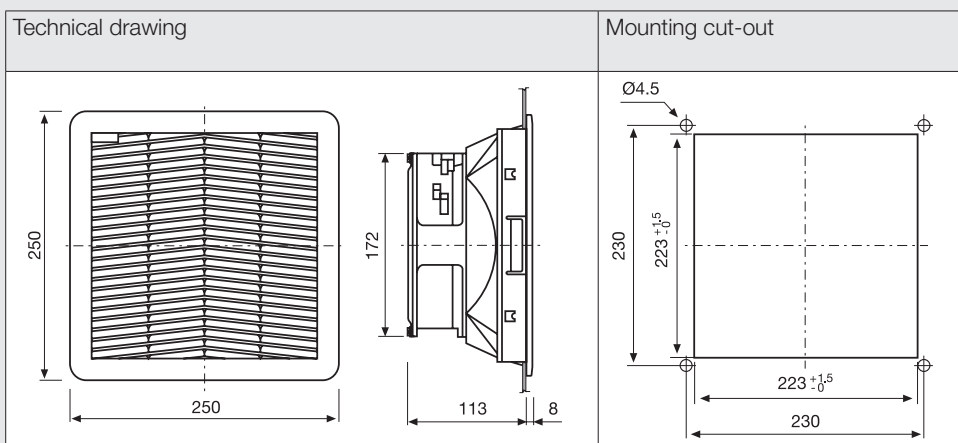


- ▶ Clip mounting system
- ▶ Low profile

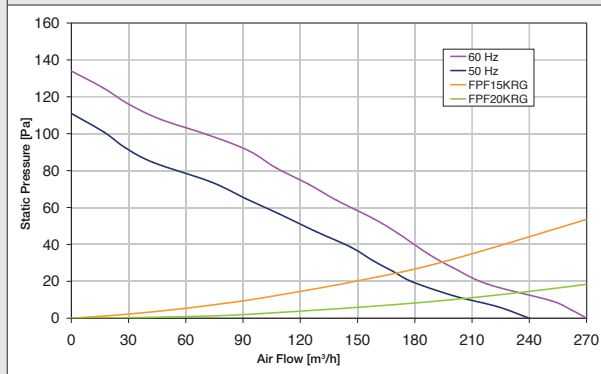
Technical data

Model	Rated Voltage	Freq.	Rated Current	Rated power	Max air flow	Static Pressure	Noise	Weight	Working Temp. Range	Approvals
	V	Hz	A	W	m³/h	Pa	dB(A)	Kg	°C	
FPF15KU115BE-110	115 V a.c.	50/60	0.265/0.274	30/30	240/270	111/134	50.0/55.0	1.78	-10 ÷ +50	CE; cURus;
FPF15KU115BER-110	115 V a.c.	50/60	0.265/0.274	30/30	240/270	111/134	50.0/55.0	1.78	-10 ÷ +50	CE; cURus;
FPF15KU230BE-110	230 V a.c.	50/60	0.132/0.130	29/29	240/270	111/134	50.0/55.0	1.78	-10 ÷ +50	CE; cURus;
FPF15KU230BER-110	230 V a.c.	50/60	0.132/0.130	29/29	240/270	111/134	50.0/55.0	1.78	-10 ÷ +50	CE; cURus;

Technical specifications



Standard flow / Reverse flow





General specifications

- Mounting without screws in square openings as indicated in the cut-out diagram
- Plate thickness between 1.5 and 2.2mm
- Plastic parts in PC/ABS alloy
- Permanent sealing gasket in polyurethane foam
- Filter media in thermo-linked progressive structure synthetic fibre
- filter class G3 (optionally filter class G4), according to EN 779
- Filter media can be cleaned, up to 10 times by washing, blowing dry and lightly beating
- IP55, Type1, 3R and EMC versions on request
- UL approval according to UL 508

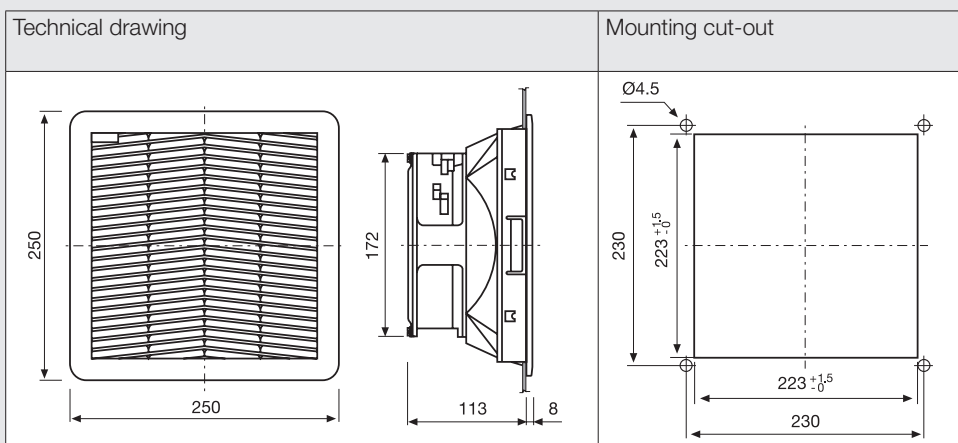


- ▶ Clip mounting system
- ▶ Low profile

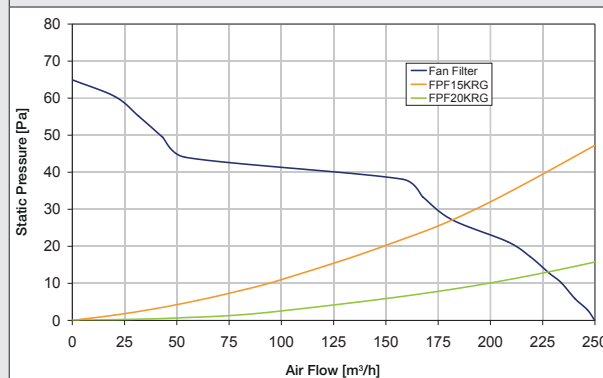
Technical data

Model	Rated Voltage	Rated Current	Rated power	Max air flow	Static Pressure	Noise	Weight	Working Temp. Range	Approvals
	V	A	W	m³/h	Pa	dB(A)	Kg	°C	
FPF15KRD24BR-110	24 V d.c.	0.95	23	250	65	64.0	1.63	-10 ÷ +50	CE; cURus;
FPF15KUD24B-110	24 V d.c.	0.95	23	250	65	64.0	1.63	-10 ÷ +50	CE; cURus;
FPF15KUD48B-110	48 V d.c.	0.370	18	250	65	64.0	1.77	-10 ÷ +55	CE;

Technical specifications



Standard flow / Reverse flow



General specifications



- Mounting without screws in square openings as indicated in the cut-out diagram
- Plate thickness between 1.5 and 2.2mm
- Plastic parts in PC/ABS alloy
- Permanent sealing gasket in polyurethane foam
- Filter media in thermo-linked progressive structure synthetic fibre
- filter class G3 (optionally filter class G4), according to EN 779
- Filter media can be cleaned, up to 10 times by washing, blowing dry and lightly beating
- IP55, Type1, 3R and EMC versions on request
- UL approval according to UL 508



- ▶ Clip mounting system
- ▶ Low profile
- ▶ High performance

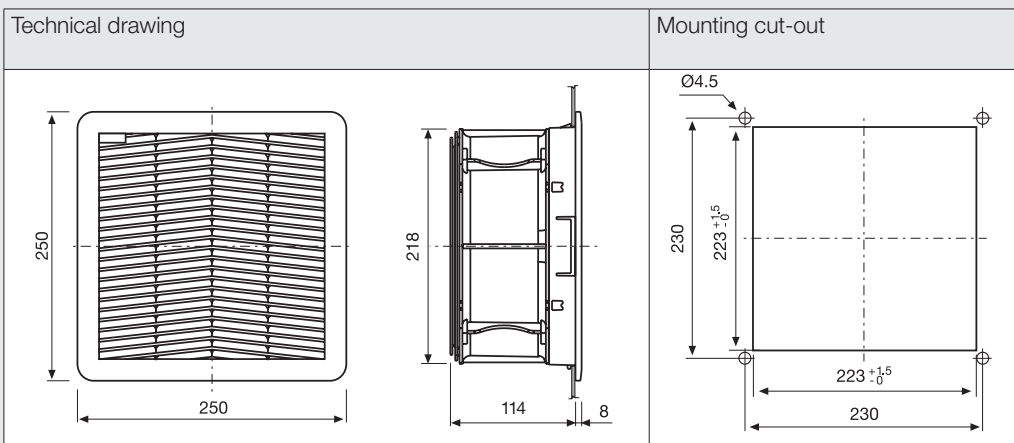
Technical data

Model	Rated Voltage	Freq.	Rated Current	Rated power	Max air flow	Static Pressure	Noise	Weight	Working Temp. Range	Approvals
	V	Hz	A	W	m³/h	Pa	dB(A)	Kg	°C	
FPF15KGR115BE-130	115 V a.c.	50/60	0.60/0.65	58/70	360/400	160/180	66,0/69,2	2.88	-10 ÷ +70	CE; cURus;
FPF15KGU115BE-120	115 V a.c.	50/60	0.54/0.65	50/64	360/400	160/180	66,0/69,2	2.88	-10 ÷ +55	CE;
FPF15KGU115BER-120	115 V a.c.	50/60	0.54/0.65	50/64	360/400	160/180	66,0/69,2	2.88	-10 ÷ +55	CE;
FPF15KGR230BE-130	230 V a.c.	50/60	0.320/0.380	70/85	360/400	160/180	63.3/68.1	2.86	-10 ÷ +70	CE; cURus;
FPF15KGU230BE-120	230 V a.c.	50/60	0.300/0.382	67/87	360/400	160/180	63.3/68.1	2.86	-10 ÷ +50	CE;

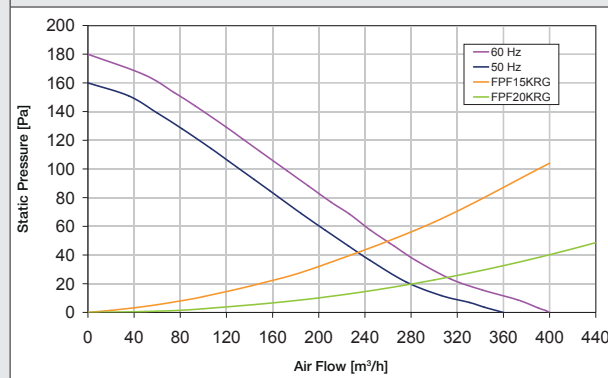
Technical data

Model	Rated Voltage	Freq.	Rated Current	Rated power	Max air flow	Static Pressure	Noise	Weight	Working Temp. Range	Approvals
	V	Hz	A	W	m³/h	Pa	dB(A)	Kg	°C	
FPF15KGU230BER-120	230 V a.c.	50/60	0.300/0.382	67/87	360/400	160/180	63.3/68.1	2.86	-10 ÷ +50	CE;
FPF15KGU400TBE-120	400 V a.c.	50/60	0.140/0.130	71/93	360/400	160/180	69.8/72.7	3.01	-10 ÷ +55	CE;
FPF15KGU400TBER-120	400 V a.c.	50/60	0.140/0.130	71/93	360/400	160/180	69.8/72.7	3.01	-10 ÷ +55	CE;

Technical specifications



Standard flow / Reverse flow





General specifications

- Mounting without screws in square openings as indicated in the cut-out diagram
- Plate thickness between 1.5 and 2.2mm
- Plastic parts in PC/ABS alloy
- Permanent sealing gasket in polyurethane foam
- Filter media in thermo-linked progressive structure synthetic fibre
- filter class G3 (optionally filter class G4), according to EN 779
- Filter media can be cleaned, up to 10 times by washing, blowing dry and lightly beating
- IP55, Type1, 3R and EMC versions on request
- UL approval according to UL 508

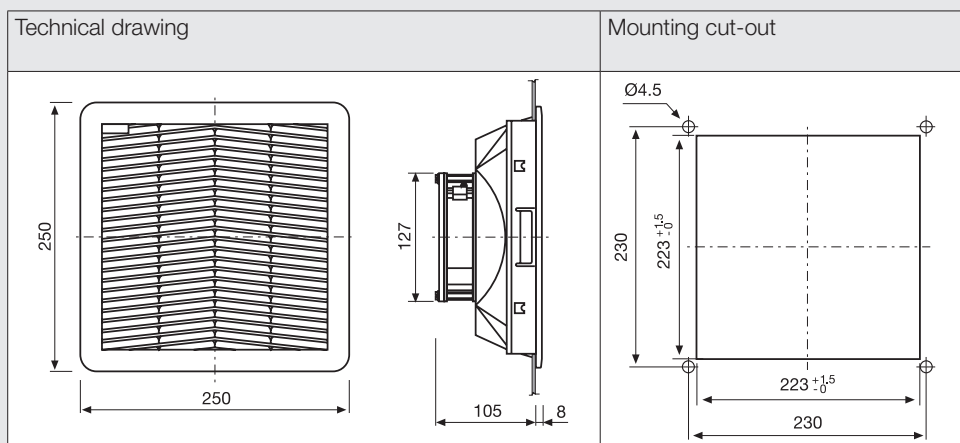


- ▶ Clip mounting system
- ▶ Low profile

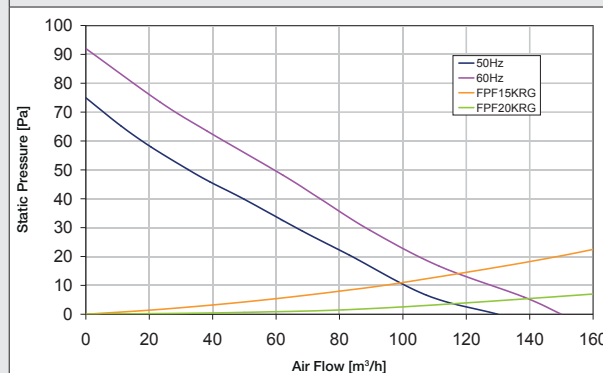
Technical data

Model	Rated Voltage	Freq.	Rated Current	Rated power	Max air flow	Static Pressure	Noise	Weight	Working Temp. Range	Approvals
	V	Hz	A	W	m³/h	Pa	dB(A)	Kg	°C	
FPF15KMR115BER-110	115 V a.c.	50/60	0.200/0.160	17/15	130/150	75/92	46.0/50.0	1.49	-10 ÷ +50	CE; cURus;
FPF15KMU115BE-110	115 V a.c.	50/60	0.200/0.160	17/15	130/150	75/92	46.0/50.0	1.49	-10 ÷ +50	CE; cURus;
FPF15KMU230BE-110	230 V a.c.	50/60	0.100/0.090	23/21	130/150	75/92	46.0/50.0	1.47	-10 ÷ +50	CE; cURus;
FPF15KMU230BER-110	230 V a.c.	50/60	0.100/0.090	23/21	130/150	75/92	46.0/50.0	1.47	-10 ÷ +50	CE; cURus;

Technical specifications



Standard flow / Reverse flow





General specifications

- Mounting without screws in square openings as indicated in the cut-out diagram
- Plate thickness between 1.5 and 2.2mm
- Plastic parts in PC/ABS alloy
- Permanent sealing gasket in polyurethane foam
- Filter media in thermo-linked progressive structure synthetic fibre
- filter class G3 (optionally filter class G4), according to EN 779
- Filter media can be cleaned, up to 10 times by washing, blowing dry and lightly beating
- IP55, Type1, 3R and EMC versions on request
- UL approval according to UL 508

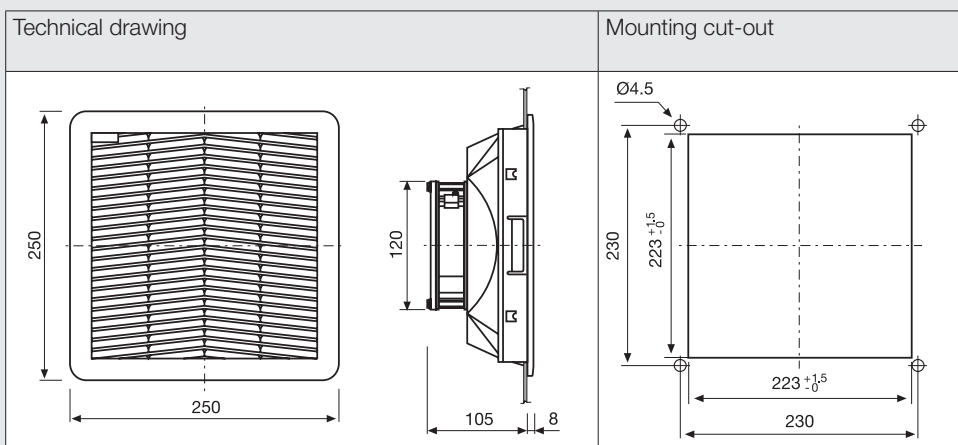


- ▶ Clip mounting system
- ▶ Low profile

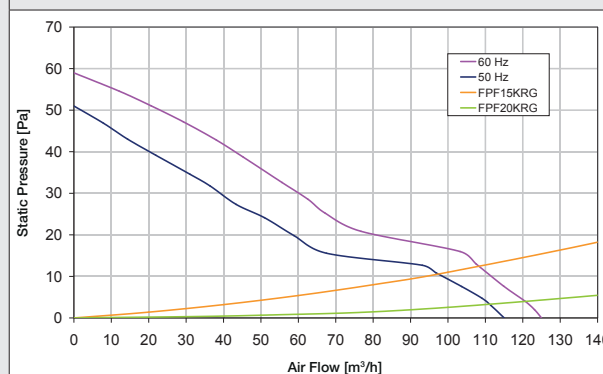
Technical data

Model	Rated Voltage	Freq.	Rated Current	Rated power	Max air flow	Static Pressure	Noise	Weight	Working Temp. Range	Approvals
	V	Hz	A	W	m³/h	Pa	dB(A)	Kg	°C	
FPF15KPR115BE-110	115 V a.c.	50/60	0.210/0.180	20/18	115/125	51/59	46.0/50.0	1.43	-10 ÷ +50	CE; cURus;
FPF15KPR115BER-110	115 V a.c.	50/60	0.210/0.180	20/18	115/125	51/59	46.0/50.0	1.43	-10 ÷ +50	CE; cURus;
FPF15KPU230BE-110	230 V a.c.	50/60	0.125/0.110	20/19	115/125	51/59	46.0/50.0	1.43	-10 ÷ +50	CE; cURus;
FPF15KPU230BER-110	230 V a.c.	50/60	0.125/0.110	20/19	115/125	51/59	46.0/50.0	1.43	-10 ÷ +50	CE; cURus;

Technical specifications



Standard flow / Reverse flow





General specifications

- Mounting without screws in square openings as indicated in the cut-out diagram
- Plate thickness between 1.5 and 2.2mm
- Plastic parts in PC/ABS alloy
- Permanent sealing gasket in polyurethane foam
- Filter media in thermo-linked progressive structure synthetic fibre
- filter class G3 (optionally filter class G4), according to EN 779
- Filter media can be cleaned, up to 10 times by washing, blowing dry and lightly beating
- IP55, Type1, 3R and EMC versions on request
- UL approval according to UL 508

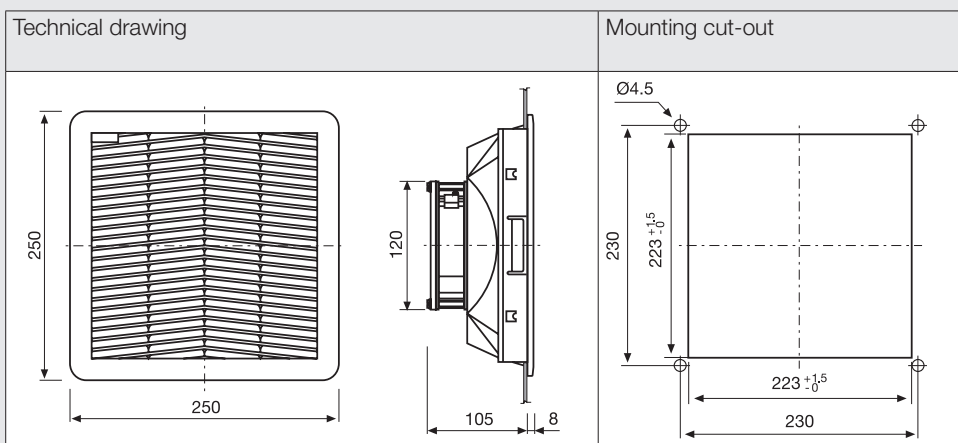


- ▶ Clip mounting system
- ▶ Low profile

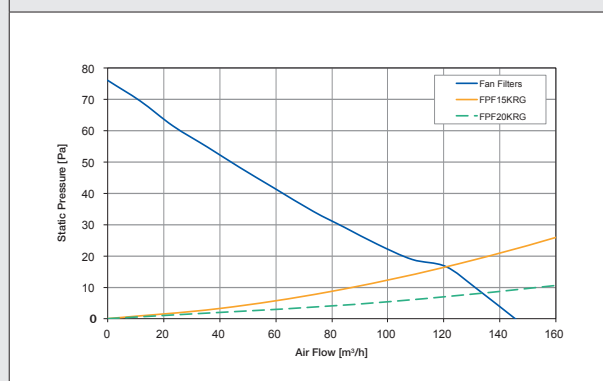
Technical data

Model	Rated Voltage	Rated Current	Rated power	Max air flow	Static Pressure	Noise	Weight	Working Temp. Range	Approvals
	V	A	W	m³/h	Pa	dB(A)	Kg	°C	
FPF15KPRD24BR-110	24 V d.c.	0.400	9.6	145	76	42.5	1.19	-10 ÷ +50	CE; cURus;
FPF15KPUD24B-110	24 V d.c.	0.400	9.6	145	76	42.5	1.19	-10 ÷ +50	CE; cURus;
FPF15KPRD48B-110	48 V d.c.	0.160	7.7	145	76	42.5	1.19	-10 ÷ +55	CE;
FPF15KPRD48BR-110	48 V d.c.	0.160	7.7	145	76	42.5	1.19	-10 ÷ +55	CE;

Technical specifications



Standard flow / Reverse flow





General specifications

- Mounting without screws in square openings as indicated in the cut-out diagram
- Plate thickness between 1.5 and 2.2mm
- Plastic parts in PC/ABS alloy
- Permanent sealing gasket in polyurethane foam
- Filter media in thermo-linked progressive structure synthetic fibre
- filter class G3 (optionally filter class G4), according to EN 779
- Filter media can be cleaned, up to 10 times by washing, blowing dry and lightly beating
- IP55, Type1, 3R and EMC versions on request
- UL approval according to UL 508



- ▶ Clip mounting system
- ▶ Low profile

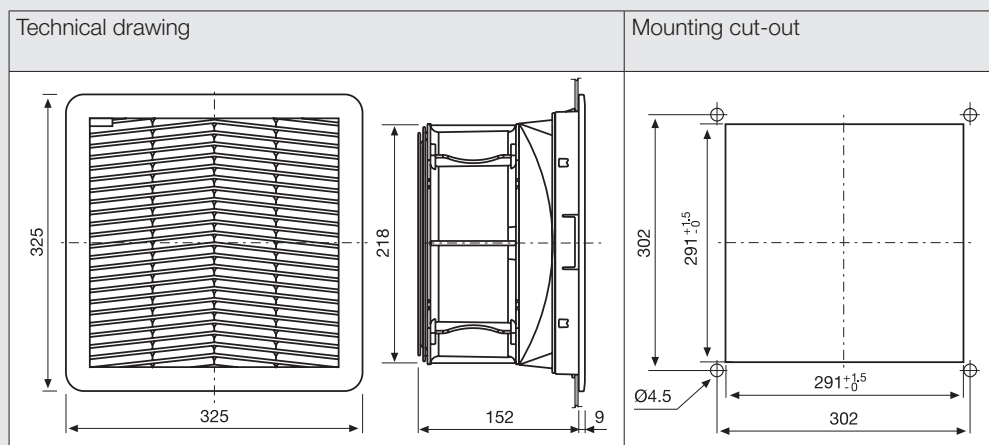
Technical data

Model	Rated Voltage	Freq.	Rated Current	Rated power	Max air flow	Static Pressure	Noise	Weight	Working Temp. Range	Approvals
	V	Hz	A	W	m³/h	Pa	dB(A)	Kg	°C	
FPF20KR115BE-130	115 V a.c.	50/60	0.60/0.65	58/70	520/580	160/186	74.7/78.9	3.6	-10 ÷ +70	CE; cURus;
FPF20KU115BE-120	115 V a.c.	50/60	0.54/0.65	50/64	520/580	160/186	66.0/69.2	3.58	-10 ÷ +55	CE;
FPF20KU115BE-130	115 V a.c.	50/60	0.60/0.65	58/70	520/580	160/186	66,0/69,2	3.58	-10 ÷ +70	CE; cURus;
FPF20KU115BER-120	115 V a.c.	50/60	0.54/0.65	50/64	520/580	160/186	66.0/69.2	3.58	-10 ÷ +55	CE;
FPF20KR230BE-130	230 V a.c.	50/60	0.326/0.391	70/85	520/580	160/186	65.3/68.1	3.58	-10 ÷ +70	CE; cURus;
FPF20KU230BE-120	230 V a.c.	50/60	0.335/0.405	77/92	520/580	160/186	65.3/68.1	3.56	-10 ÷ +50	CE;

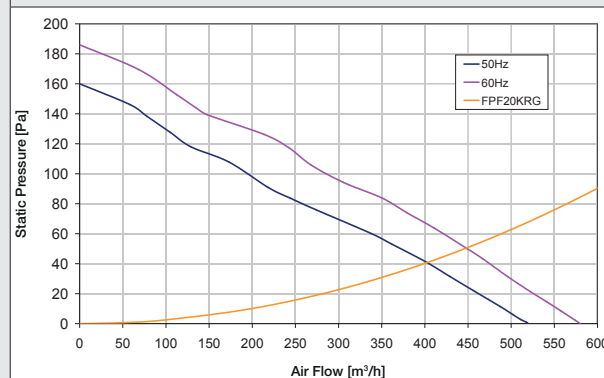
Technical data

Model	Rated Voltage	Freq.	Rated Current	Rated power	Max air flow	Static Pressure	Noise	Weight	Working Temp. Range	Approvals
	V	Hz	A	W	m³/h	Pa	dB(A)	Kg	°C	
FPF20KU230BE-130	230 V a.c.	50/60	0.300/0.360	70/85	520/580	160/186	65,3/68,1	3.56	-10 ÷ +70	CE; cURus;
FPF20KU230BER-120	230 V a.c.	50/60	0.300/0.382	67/87	520/580	160/186	65.3/68.1	3.56	-10 ÷ +50	CE;
FPF20KR400TBER-120	400 V a.c.	50/60	0.140/0.130	71/93	520/580	160/186	69.8/72.7	3.73	-10 ÷ +55	CE;
FPF20KU400TBE-120	400 V a.c.	50/60	0.140/0.130	71/93	520/580	160/186	69.8/72.7	3.71	-10 ÷ +55	CE;

Technical specifications



Standard flow / Reverse flow





General specifications

- Mounting without screws in square openings as indicated in the cut-out diagram
- Plate thickness between 1.5 and 2.2mm
- Plastic parts in PC/ABS alloy
- Permanent sealing gasket in polyurethane foam
- Filter media in thermo-linked progressive structure synthetic fibre
- filter class G3 (optionally filter class G4), according to EN 779
- Filter media can be cleaned, up to 10 times by washing, blowing dry and lightly beating
- IP55, Type1, 3R and EMC versions on request
- UL approval according to UL 508



- ▶ Clip mounting system
- ▶ Low profile
- ▶ High performance

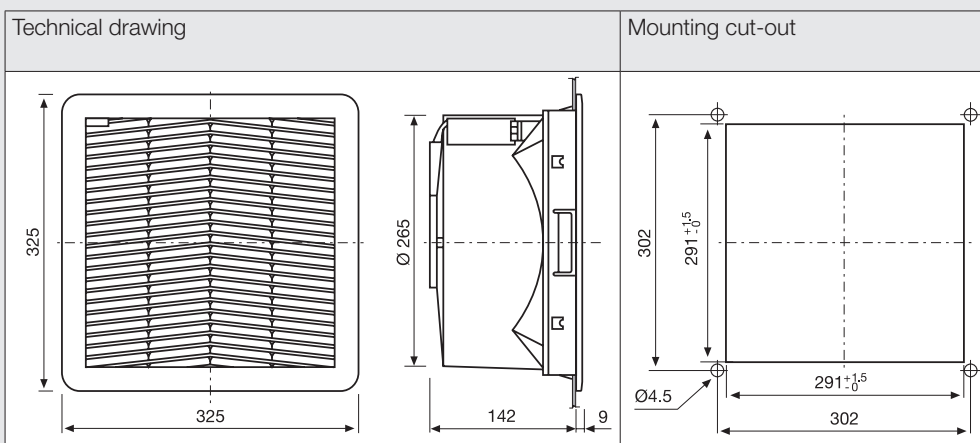
Technical data

Model	Rated Voltage	Freq.	Rated Current	Rated power	Max air flow	Static Pressure	Noise	Weight	Working Temp. Range	Approvals
	V	Hz	A	W	m ³ /h	Pa	dB(A)	Kg	°C	
PPF20KGR115B-130	115 V a.c.	50/60	1.5/1.4	112/148	660/745	220/222	74.8/79.0	3.6	-10 ÷ +70	CE; cURus;
PPF20KGR115BR-130	115 V a.c.	50/60	1.5/1.4	112/148	660/745	220/222	74.8/79.0	3.6	-10 ÷ +70	CE; cURus;
PPF20KGU115B-110	115 V a.c.	50/60	1.2/1.2	120/135	650/730	186/213	64.6/67.4	3.71	-10 ÷ +55	CE;
PPF20KGU115B-130	115 V a.c.	50/60	1.5/1.4	112/148	660/745	220/222	74.8/79.0	3.58	-10 ÷ +70	CE; cURus;
PPF20KGU115BR-110	115 V a.c.	50/60	1.2/1.2	120/135	650/730	186/213	74.7/78.9	3.59	-10 ÷ +55	CE;

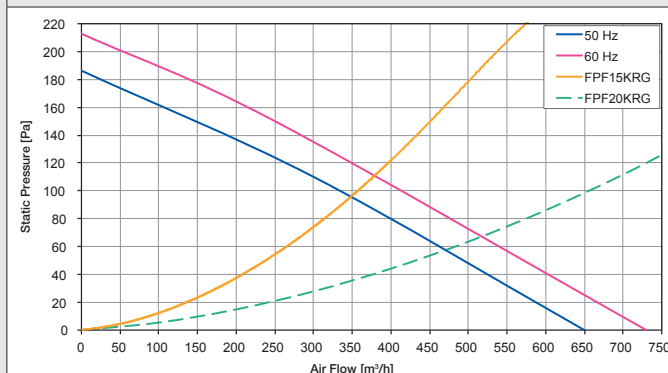
Technical data

Model	Rated Voltage	Freq.	Rated Current	Rated power	Max air flow	Static Pressure	Noise	Weight	Working Temp. Range	Approvals
	V	Hz	A	W	m³/h	Pa	dB(A)	Kg	°C	
FPF20KGR230B-130	230 V a.c.	50/60	0.70/0.72	111/140	660/745	220/222	67.6/70.6	3.71	-10 ÷ +70	CE; cURus;
FPF20KGR230BR-130	230 V a.c.	50/60	0.70/0.72	111/140	660/745	220/222	66.0/69.2	3.71	-10 ÷ +70	CE; cURus;
FPF20KGU230B-110	230 V a.c.	50/60	0.62/0.81	140/185	650/730	186/213	67.6/70.6	3.54	-10 ÷ +55	CE;
FPF20KGU230B-130	230 V a.c.	50/60	0.70/0.72	111/140	660/745	220/222	67.6/70.6	3.69	-10 ÷ +70	CE; cURus;
FPF20KGU230BR-110	230 V a.c.	50/60	0.460/0.64	106/147	650/730	186/213	74.8/79.0	3.53	-10 ÷ +50	CE;
FPF20KGU400TB-110	400 V a.c.	50/60	0.180/0.200	93/123	650/730	186/213	76.0/79.0	4.05	-10 ÷ +55	CE;

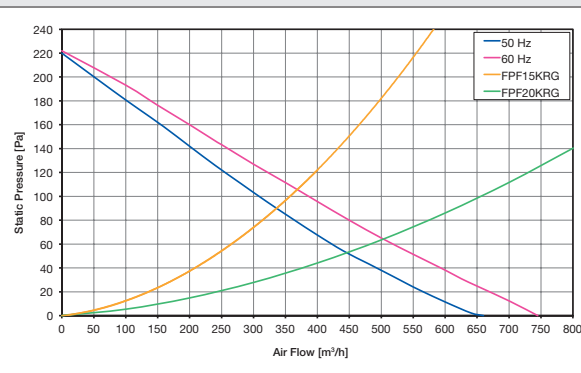
Technical specifications



Standard flow / Reverse flow - 110



Standard flow / Reverse flow - 130





General specifications

- Mounting without screws in square openings as indicated in the cut-out diagram
- Plate thickness between 1.5 and 2.2mm
- Plastic parts in PC/ABS alloy
- Permanent sealing gasket in polyurethane foam
- Filter media in thermo-linked progressive structure synthetic fibre
- filter class G3 (optionally filter class G4), according to EN 779
- Filter media can be cleaned, up to 10 times by washing, blowing dry and lightly beating
- IP55, Type1, 3R and EMC versions on request
- UL approval according to UL 508



- ▶ Clip mounting system
- ▶ Low profile
- ▶ High performance

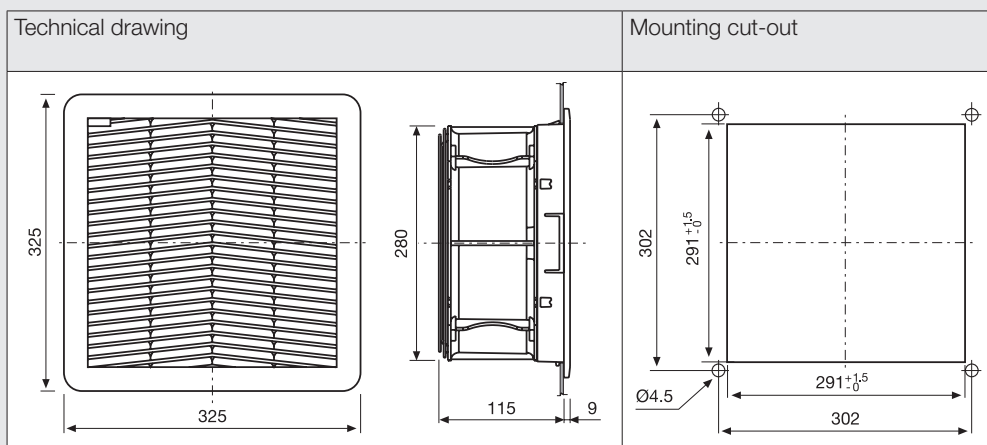
Technical data

Model	Rated Voltage	Freq.	Rated Current	Rated power	Max air flow	Static Pressure	Noise	Weight	Working Temp. Range	Approvals
	V	Hz	A	W	m³/h	Pa	dB(A)	Kg	°C	
PPF20KGR115BE-130	115 V a.c.	50/60	1.4/1.5	112/148	660/745	220/222	74.7/78.9	4.31	-10 ÷ +70	CE; cURus;
PPF20KGU115BE-120	115 V a.c.	50/60	0.96/1.3	107/143	660/745	220/222	74.7/78.9	4.43	-10 ÷ +55	CE;
PPF20KGU115BE-130	115 V a.c.	50/60	1.4/1.5	112/148	660/745	220/222	74.7/78.9	4.29	-10 ÷ +70	CE; cURus;
PPF20KGU115BER-120	115 V a.c.	50/60	0.96/1.3	107/143	660/745	220/222	74.7/78.9	4.43	-10 ÷ +55	CE;
PPF20KGR230BE-130	230 V a.c.	50/60	0.60/0.72	111/140	660/745	220/222	68.0/70.0	4.43	-10 ÷ +70	CE; cURus;

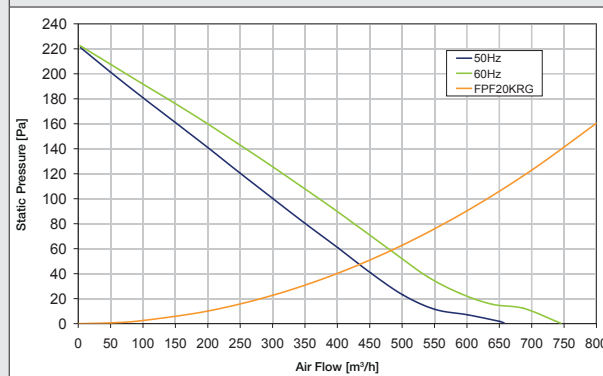
Technical data

Model	Rated Voltage	Freq.	Rated Current	Rated power	Max air flow	Static Pressure	Noise	Weight	Working Temp. Range	Approvals
	V	Hz	A	W	m³/h	Pa	dB(A)	Kg	°C	
FPF20KGU230BE-120	230 V a.c.	50/60	0.50/0.72	111/140	660/745	220/222	72.8/75.8	4.26	-10 ÷ +55	CE;
FPF20KGU230BE-130	230 V a.c.	50/60	0.60/0.72	111/140	660/745	220/222	68.0/70.0	4.41	-10 ÷ +70	CE; cURus;
FPF20KGU230BER-120	230 V a.c.	50/60	0.50/0.72	111/140	660/745	220/222	72.8/75.8	4.26	-10 ÷ +55	CE;
FPF20KGR400TBER-120	400 V a.c.	50/60	0.180/0.200	93/123	660/745	220/222	76.0/79.0	4.78	-10 ÷ +55	CE;

Technical specifications



Standard flow / Reverse flow



- ▶ Fixing system with jacks (international patent)
- ▶ Ideal for plastic or plate enclosures
- ▶ Easy media replacement
- ▶ Low profile
- ▶ Media replacement without tools



General specifications

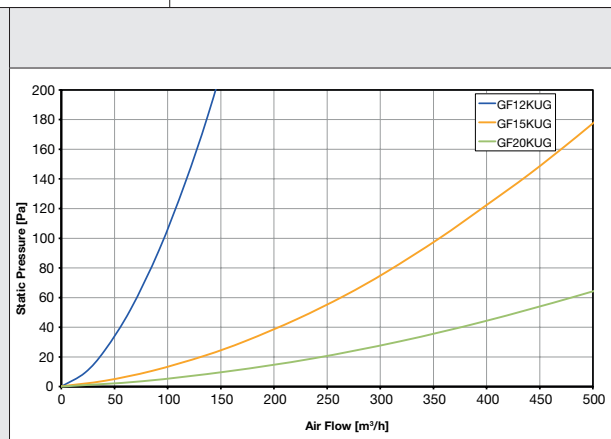
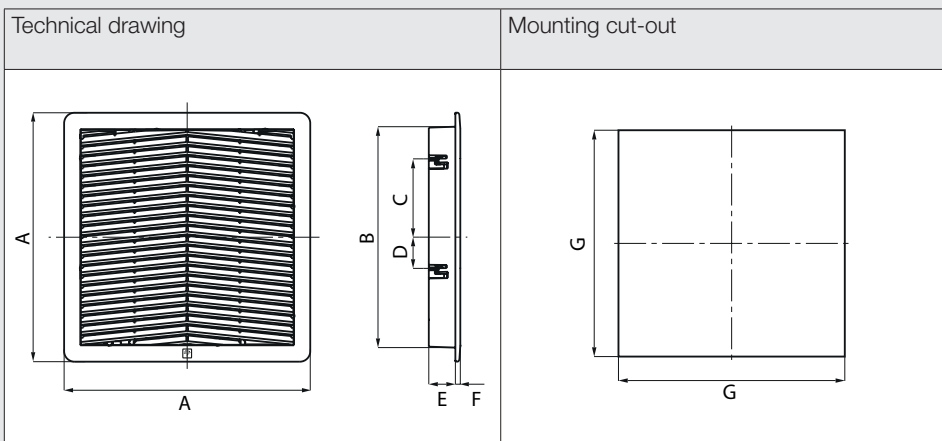
- Mounting without screws in square openings as indicated in the cut-out diagram
- Plate thickness up to 8mm and by cutting the jacks up to 16mm
- Plastic parts in PC/ABS alloy
- Standard color RAL 7035, other colors available on request, subject to quantity
- Permanent sealing gasket in polyurethane foam
- Filter media in thermo-linked progressive structure synthetic fibre
 - filter class G3, according to EN 779 Filter media can be cleaned, up to 10 times by washing, blowing dry and lightly beating



Technical data

Model	A	B	C	D	E	F	G	Weight	Approvals
	mm	mm	mm	mm	mm	mm	mm	Kg	
GF12KUG	150	124	41.6	-	26.5	4.5	125	0.17	CE;
GF15KUG	250	222	78.6	31.4	27	5	223	0.49	CE;
GF20KUG	325	289	95.6	48.4	26.7	5.8	290	0.74	CE;

Technical specifications



General specifications



- Mounting without screws in square openings as indicated in the cut-out diagram
- Plate thickness up to 8mm and by cutting the jacks up to 16mm
- Plastic parts in PC/ABS alloy
- Standard color RAL 7035, other colors available on request, subject to quantity
- Permanent sealing gasket in polyurethane foam
- Filter media in thermo-linked progressive structure synthetic fibre
 - filter class G3, according to EN 779 Filter media can be cleaned, up to 10 times by washing, blowing dry and lightly beating

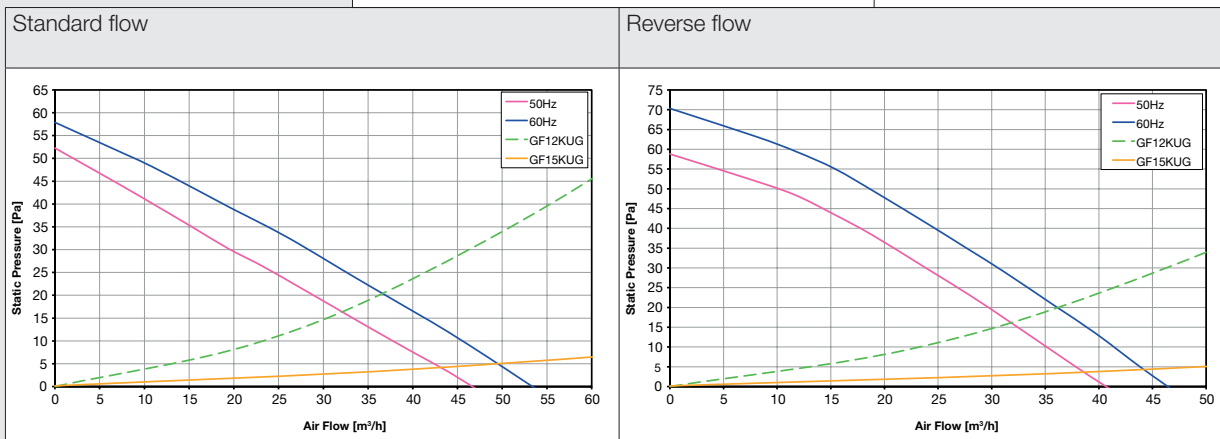
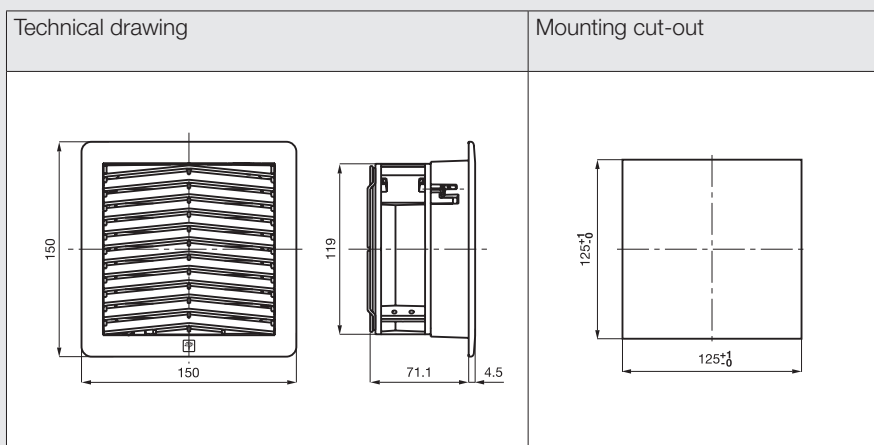


- ▶ Fixing system with jacks (international patent)
- ▶ Ideal for plastic or plate enclosures
- ▶ Easy media replacement
- ▶ Low profile
- ▶ Media replacement without tools

Technical data

Model	Rated Voltage	Freq.	Rated Current	Rated power	Max air flow	Static Pressure	Noise	Weight	Working Temp. Range	Approvals
	V	Hz	A	W	m³/h	Pa	dB(A)	Kg	°C	
GF12KU230BE	230 V a.c.	50/60	0.10/0.09	17/16	46/53	52/58	43.0/48.0	0.75	-10 ÷ +55	CE;
GF12KU230BER	230 V a.c.	50/60	0.10/0.09	17/16	42/47	59/70	43.0/48.0	0.75	-10 ÷ +55	CE;

Technical specifications





General specifications

- Mounting without screws in square openings as indicated in the cut-out diagram
- Plate thickness up to 8mm and by cutting the jacks up to 16mm
- Plastic parts in PC/ABS alloy
- Standard color RAL 7035, other colors available on request, subject to quantity
- Permanent sealing gasket in polyurethane foam
- Filter media in thermo-linked progressive structure synthetic fibre
 - filter class G3, according to EN 779 Filter media can be cleaned, up to 10 times by washing, blowing dry and lightly beating

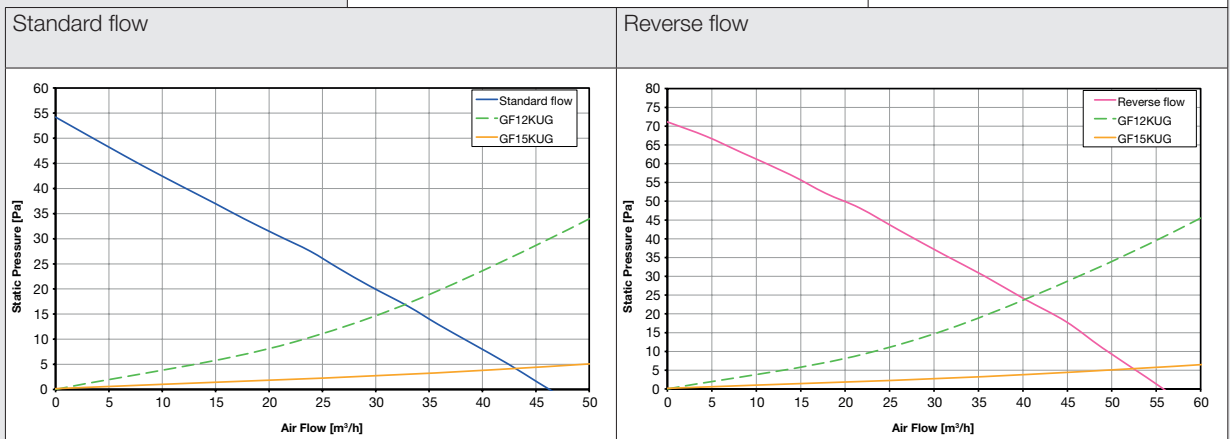
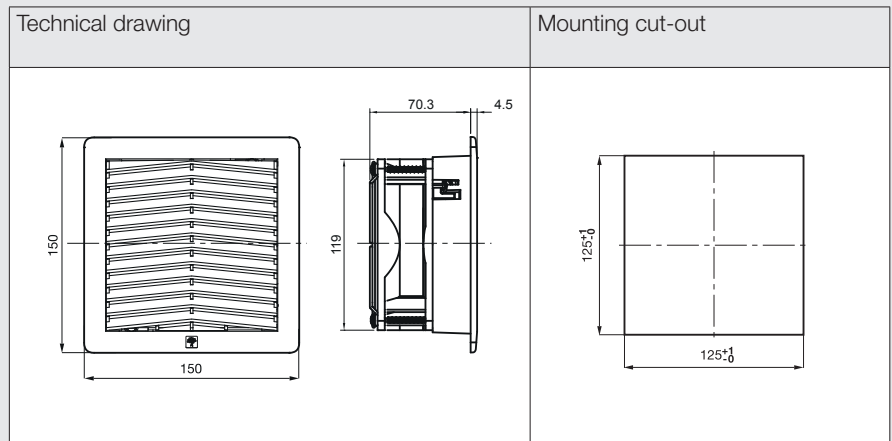


- ▶ Fixing system with jacks (international patent)
- ▶ Ideal for plastic or plate enclosures
- ▶ Easy media replacement
- ▶ Low profile
- ▶ Media replacement without tools

Technical data

Model	Rated Voltage	Rated Current	Rated power	Max air flow	Static Pressure	Noise	Weight	Working Temp. Range	Approvals
	V	A	W	m³/h	Pa	dB(A)	Kg	°C	
GF12KUD24B	24 V d.c.	0.30	7.0	46	54	42.5	0.52	-10 ÷ +50	CE;
GF12KUD24BR	24 V d.c.	0.30	7.0	55	71	42.5	0.52	-10 ÷ +50	CE;

Technical specifications





General specifications

- Mounting without screws in square openings as indicated in the cut-out diagram
- Plate thickness thickness up to 8mm and by cutting the jacks up to 16mm
- Plastic parts in PC/ABS alloy
- Standard color RAL 7035, other colors available on request, subject to quantity
- Permanent sealing gasket in polyurethane foam
- Filter media in thermo-linked progressive structure synthetic fibre
 - filter class G3, according to EN 779 Filter media can be cleaned, up to 10 times by washing, blowing dry and lightly beating



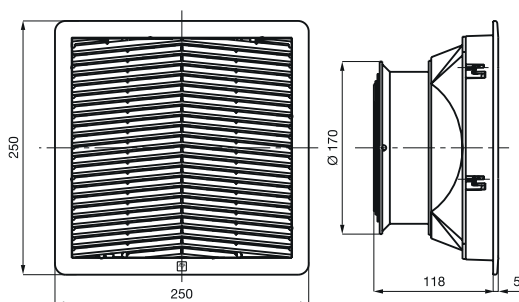
- ▶ Fixing system with jacks (international patent)
- ▶ Ideal for plastic or plate enclosures
- ▶ Easy media replacement
- ▶ Low profile
- ▶ Media replacement without tools

Technical data

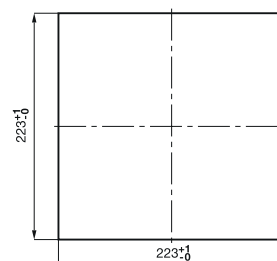
Model	Rated Voltage	Freq.	Rated Current	Rated power	Max air flow	Static Pressure	Noise	Weight	Working Temp. Range	Approvals
	V	Hz	A	W	m³/h	Pa	dB(A)	Kg	°C	
GF15KU115BE	115 V a.c.	50/60	0.28/0.30	32/35	224/270	110/148	50.0/55.0	1.7	-10 ÷ +50	CE;
GF15KU230BE	230 V a.c.	50/60	0.14/0.15	32/34	224/270	110/148	50.0/55.0	1.7	-10 ÷ +50	CE;
GF15KU230BER	230 V a.c.	50/60	0.14/0.15	32/35	248/290	158/202	50.0/55.0	1.7	-10 ÷ +50	CE;

Technical specifications

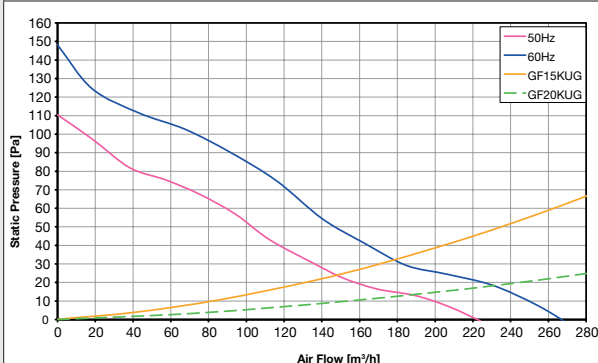
Technical drawing



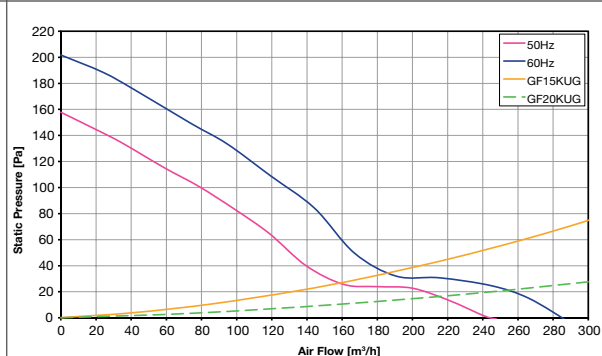
Mounting cut-out



Standard flow



Reverse flow





General specifications

- Mounting without screws in square openings as indicated in the cut-out diagram
- Plate thickness up to 8mm and by cutting the jacks up to 16mm
- Plastic parts in PC/ABS alloy
- Standard color RAL 7035, other colors available on request, subject to quantity
- Permanent sealing gasket in polyurethane foam
- Filter media in thermo-linked progressive structure synthetic fibre
 - filter class G3, according to EN 779 Filter media can be cleaned, up to 10 times by washing, blowing dry and lightly beating

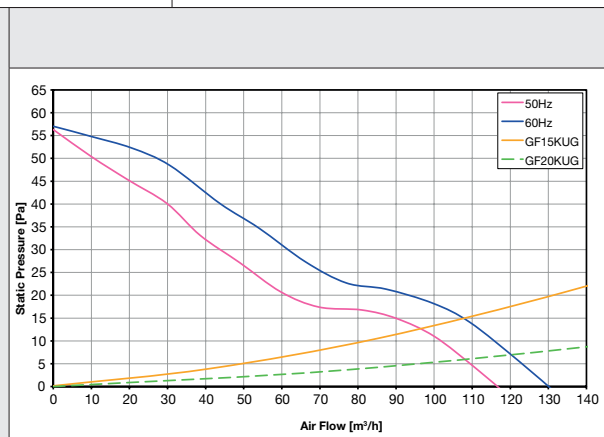
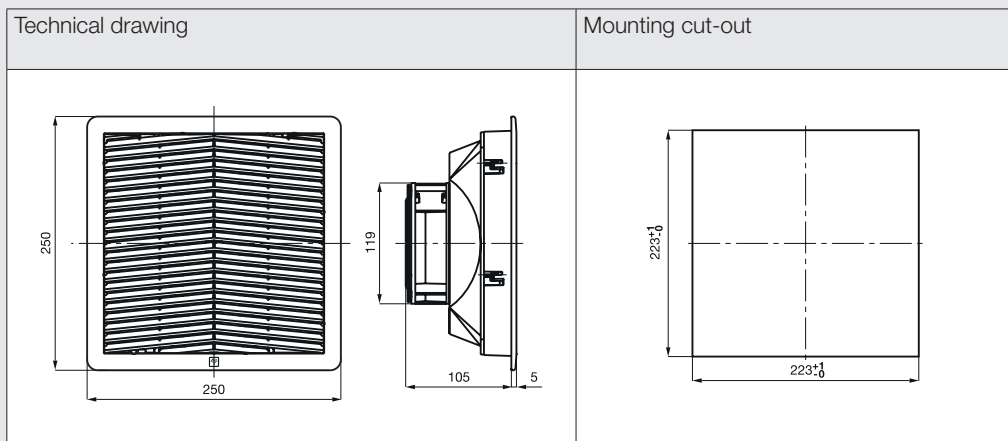


- ▶ Fixing system with jacks (international patent)
- ▶ Ideal for plastic or plate enclosures
- ▶ Easy media replacement
- ▶ Low profile
- ▶ Media replacement without tools

Technical data

Model	Rated Voltage	Freq.	Rated Current	Rated power	Max air flow	Static Pressure	Noise	Weight	Working Temp. Range	Approvals
	V	Hz	A	W	m³/h	Pa	dB(A)	Kg	°C	
GF15KPU230BE	230 V a.c.	50/60	0.10/0.10	18/18	118/132	56/57	43.0/48.0	1.34	-10 ÷ +55	CE;

Technical specifications



General specifications



- Mounting without screws in square openings as indicated in the cut-out diagram
- Plate thickness up to 8mm and by cutting the jacks up to 16mm
- Plastic parts in PC/ABS alloy
- Standard color RAL 7035, other colors available on request, subject to quantity
- Permanent sealing gasket in polyurethane foam
- Filter media in thermo-linked progressive structure synthetic fibre
 - filter class G3, according to EN 779 Filter media can be cleaned, up to 10 times by washing, blowing dry and lightly beating

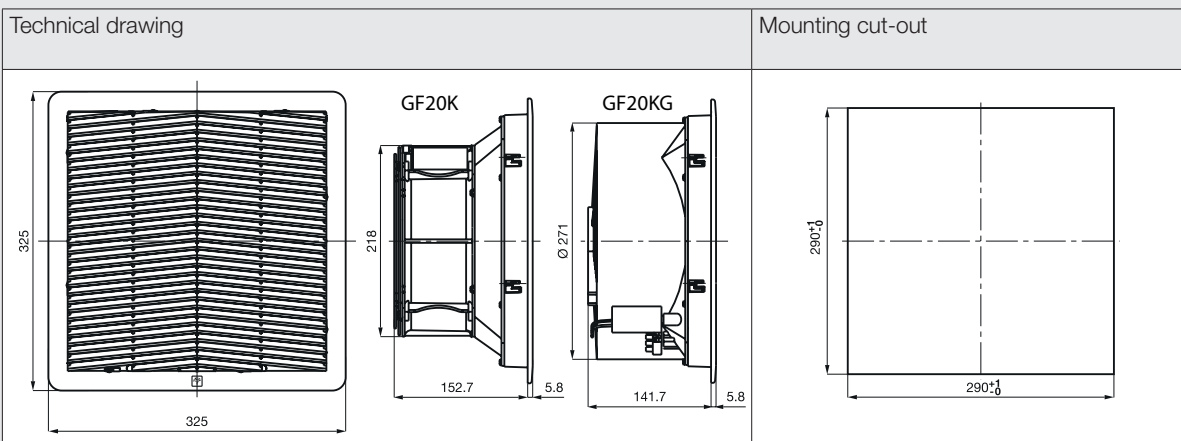


- ▶ Fixing system with jacks (international patent)
- ▶ Ideal for plastic or plate enclosures
- ▶ Easy media replacement
- ▶ Low profile
- ▶ Media replacement without tools

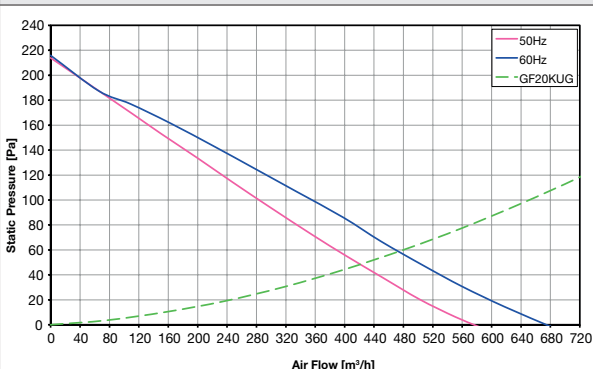
Technical data

Model	Rated Voltage	Freq.	Rated Current	Rated power	Max air flow	Static Pressure	Noise	Weight	Working Temp. Range	Approvals
	V	Hz	A	W	m³/h	Pa	dB(A)	Kg	°C	
GF20KGU230B	230 V a.c.	50/60	0.70/0.55	159/125	583/680	214/216	71.0/73.0	3.34	-10 ÷ +55	CE;
GF20KU230BE	230 V a.c.	50/60	0.33/0.40	76/92	475/535	140/156	60.0/62.0	3.36	-10 ÷ +50	CE;

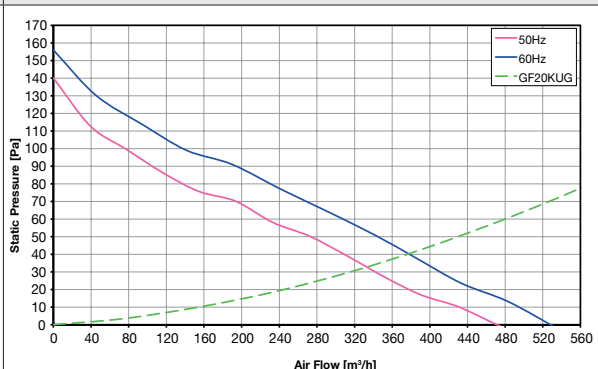
Technical specifications



GF20KG B



GF20K BE



ROOF EXHAUST UNITS

Roof exhaust units are commonly used in restricted spaces to dissipate hot air that is extracted from the top of enclosures.

These units can be provided with an exhaust filter for either convection cooling or forced air-cooling in combination with a fan.

TP SERIES



CASING MATERIAL
Plastic structure with aluminum top

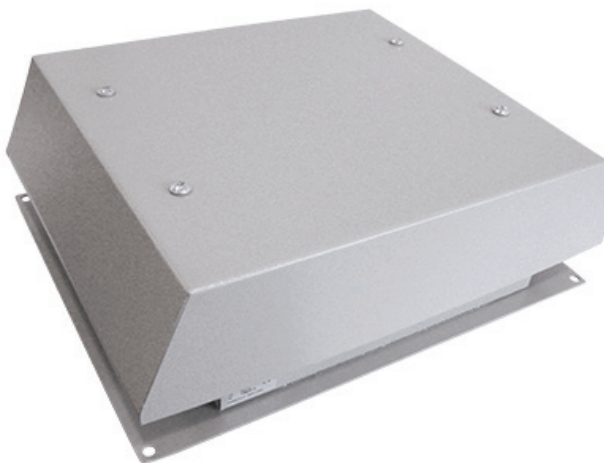


PROTECTION
Available in 4 different protection classes



VENTILATION
Natural air convection or forced air sucking

T SERIES



CASING MATERIAL
Metal structure

HIGH PERFORMANCE VERSION (T22)

Model numbering system for TP SERIES

<i>description</i>	TP	19	R	115	B	A	-	SXX	<i>description</i>
FAMILY TP / T TP = small plastic T = large metallic									CUSTOM SERIES SXX = custom version
FAN DIMENSION									
COLOUR R = ral 7032 U = ral 7035 N = ral 9005									VERSION A = anodized
VOLTAGE () = no voltage 115 = 115 V.a.c. 230 = 230 V.a.c.									DESIGN



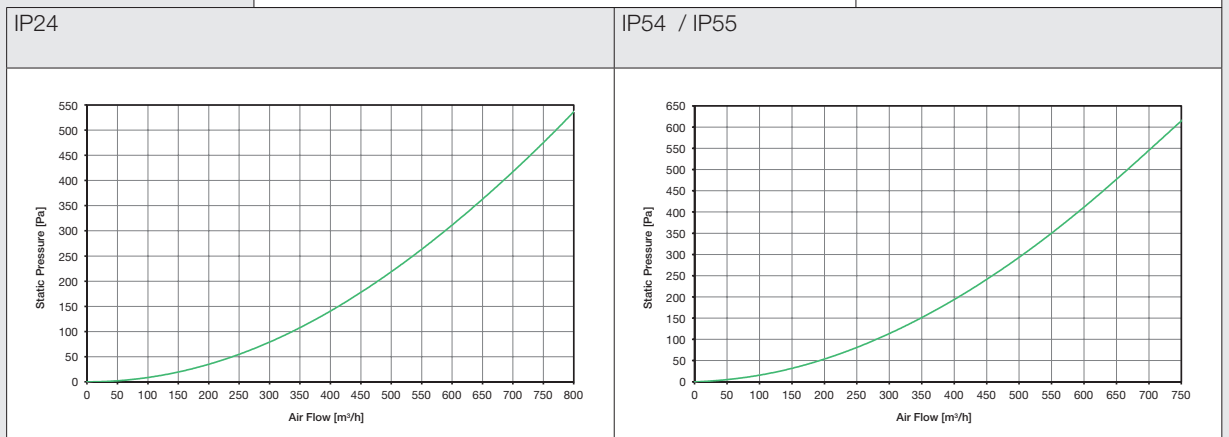
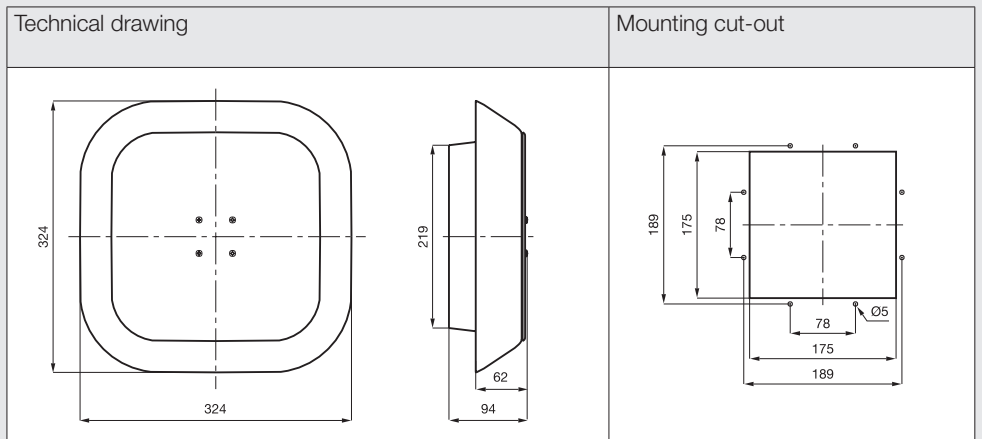
General specifications

- Mounting by nr. 8 Ø4x16 mm screws for thermoplastic material in square openings as indicated in the cut-out diagram
- Plate thickness: any
- Plastic parts in PC/ABS alloy and aluminum cover
- Standard color RAL 7035, other colors available on request, subject to quantity
- Permanent sealing gasket in polyurethane foam
- UL approval according to UL 508 and CSA approval according to CSA/CAN 22.2 No. 14



Technical data		
Model	Protection Degree	Approvals
	IP	
TP19U1	IP24	CE; cURus; cCSAus;
TP19U541	IP54	CE; cURus; cCSAus;
TP19U551	IP55	CE; cURus; cCSAus;

Technical specifications





General specifications

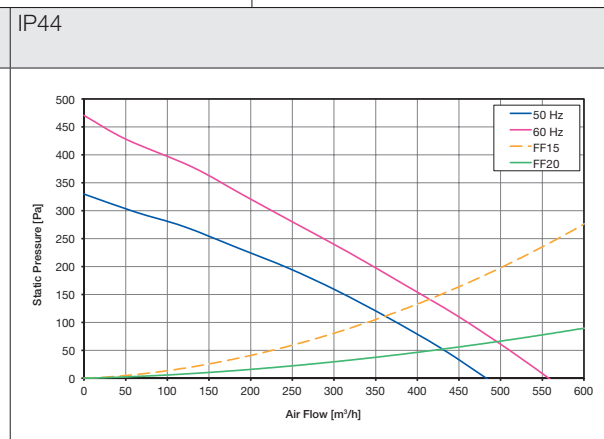
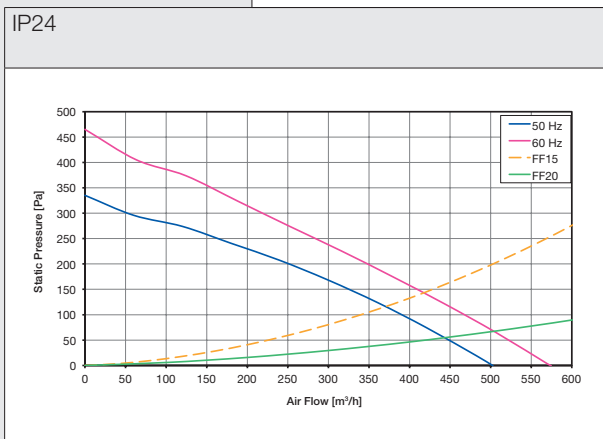
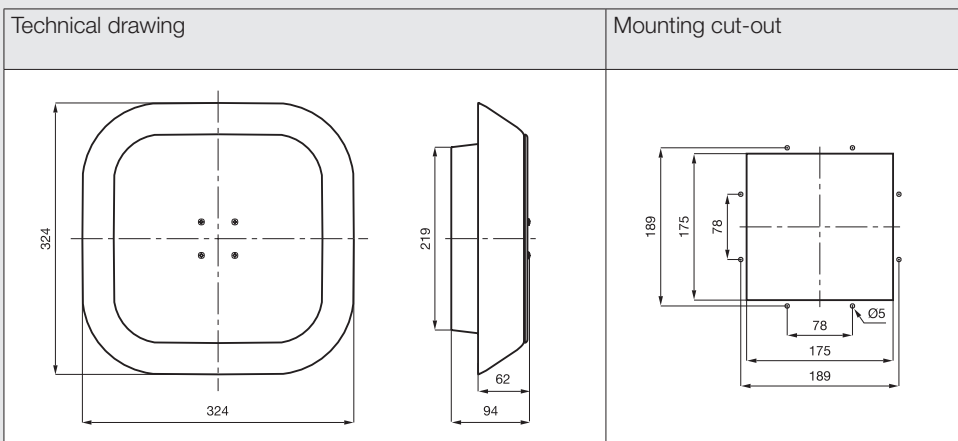
- Mounting by nr. 8 Ø4x16 mm screws for thermoplastic material in square openings as indicated in the cut-out diagram
- Plate thickness: any
- Plastic parts in PC/ABS alloy and aluminum cover
- Standard color RAL 7035, other colors available on request, subject to quantity
- Permanent sealing gasket in polyurethane foam
- UL approval according to UL 508 and CSA approval according to CSA/CAN 22.2 No. 14



Technical data

Model	Rated Voltage	Freq.	Rated Current	Rated power	Max air flow	Static Pressure	Noise	Weight	Working Temp. Range	Approvals
	V	Hz	A	W	m³/h	Pa	dB(A)	Kg	°C	
TP19U115B	115 V a.c.	50/60	0.55/0.65	62/75	500/575	335/465	67.9/71.0	2.54	-10 - +60	CE;
TP19U115B1	115 V a.c.	60	0.85	97	575	465	72.9	2.56	-10 - +55	CE; cURus; cCSAus;
TP19U115B441	115 V a.c.	60	0.85	97	560	470	71.9	2.64	-10 - +55	CE; cURus; cCSAus;
TP19U230B	230 V a.c.	50/60	0.307/0.361	67/83	500/575	335/465	67.9/71.0	2.53	-10 - +60	CE;
TP19U230B1	230 V a.c.	50/60	0.310/0.360	70/81	500/575	335/465	67.9/71.0	2.51	-10 - +55	CE; cURus; cCSAus;
TP19U230B44	230 V a.c.	50/60	0.309/0.354	69/81	485/560	330/470	67.9/71.0	2.62	-10 - +60	CE;
TP19U230B441	230 V a.c.	50/60	0.310/0.360	70/81	485/560	330/470	67.9/71.0	2.6	-10 - +55	CE; cURus; cCSAus;

Technical specifications





General specifications

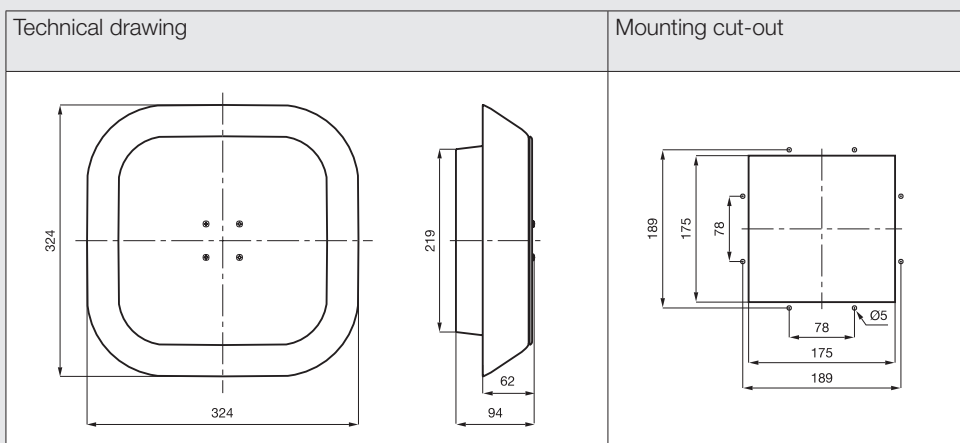
- Mounting by nr. 8 Ø4x16 mm screws for thermoplastic material in square openings as indicated in the cut-out diagram
- Plate thickness: any
- Plastic parts in PC/ABS alloy and aluminum cover
- Standard color RAL 7035, other colors available on request, subject to quantity
- Permanent sealing gasket in polyurethane foam
- UL approval according to UL 508 and CSA approval according to CSA/CAN 22.2 No. 14



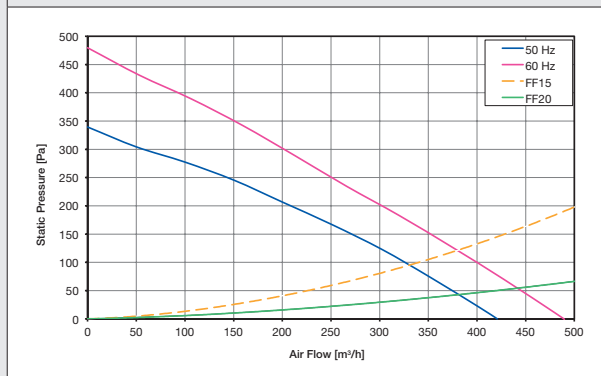
Technical data

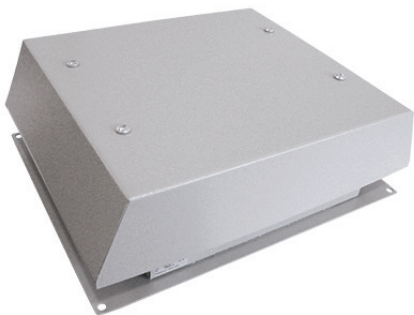
Model	Rated Voltage	Freq.	Rated Current	Rated power	Max air flow	Static Pressure	Noise	Weight	Working Temp. Range	Approvals
	V	Hz	A	W	m³/h	Pa	dB(A)	Kg	°C	
TP19U115B54	115 V a.c.	50/60	0.62/0.64	66/74	420/490	340/480	67.9/71.0	2.63	-10 - +60	CE;
TP19U115B541	115 V a.c.	60	0.85	97	490	480	71.9	2.65	-10 - +55	CE; cURus; cCSAus;
TP19U115B55	115 V a.c.	50/60	0.62/0.64	66/74	420/490	340/480	67.9/71.0	2.63	-10 - +60	CE;
TP19U115B551	115 V a.c.	60	0.85	97	490	480	71.9	2.66	-10 - +55	CE; cURus; cCSAus;
TP19U230B54	230 V a.c.	50/60	0.309/0.360	70/83	420/490	340/480	67.9/71.0	2.62	-10 - +60	CE;
TP19U230B541	230 V a.c.	50/60	0.310/0.360	70/81	420/490	340/480	67.9/71.0	2.61	-10 - +55	CE; cURus; cCSAus;
TP19U230B55	230 V a.c.	50/60	0.309/0.360	70/83	420/490	340/480	67.9/71.0	2.63	-10 - +60	CE;
TP19U230B551	230 V a.c.	50/60	0.310/0.360	70/81	420/490	340/480	67.9/71.0	2.61	-10 - +55	CE; cURus; cCSAus;

Technical specifications



IP54 / IP55





General specifications

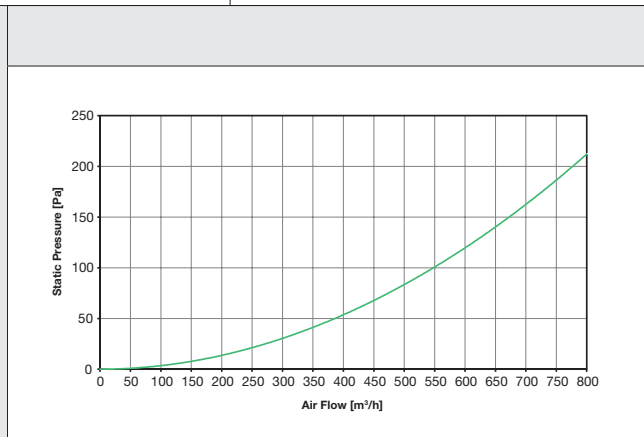
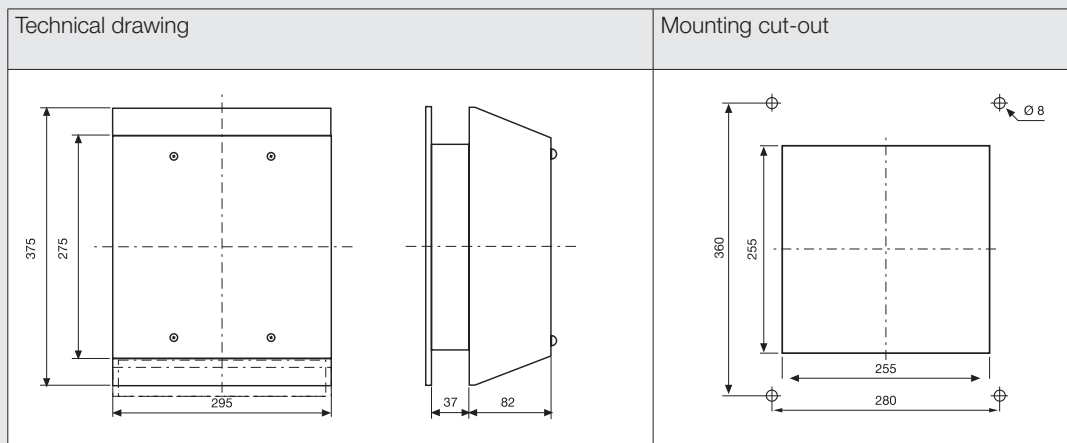
- Mounting by nr. 4 M6 screws in square openings as indicated in the cut-out diagram
- Plate thickness: any
- Epoxy painted steel casing
- Permanent sealing gasket in polyurethane foam
- Standard color RAL 7035 and RAL 7032

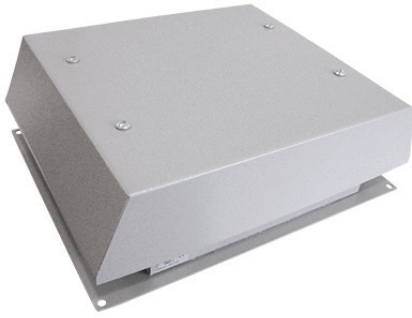


Technical data

Model	Approvals
T19UK	CE;

Technical specifications





General specifications

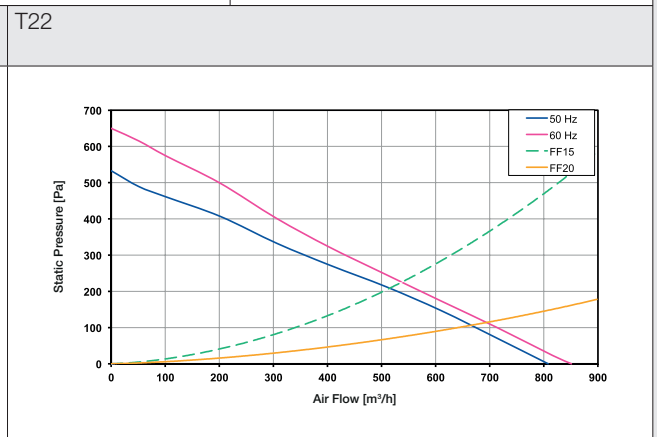
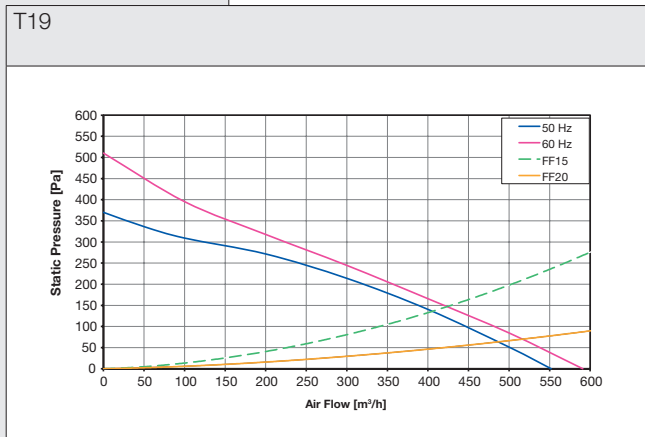
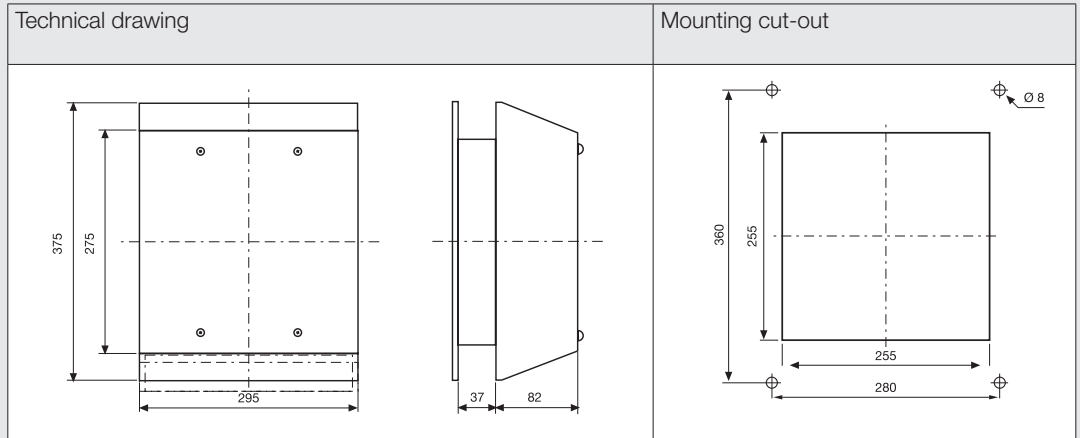
- Mounting by nr. 4 M6 screws in square openings as indicated in the cut-out diagram
- Plate thickness: any
- Epoxy painted steel casing
- Permanent sealing gasket in polyurethane foam
- Standard color RAL 7035 and RAL 7032



Technical data

Model	Rated Voltage	Freq.	Rated Current	Rated power	Max air flow	Static Pressure	Noise	Weight	Working Temp. Range	Approvals
	V	Hz	A	W	m ³ /h	Pa	dB(A)	Kg	°C	
T19R115B	115 V a.c.	50/60	0.53/0.62	58/71	550/590	370/510	67.9/71.0	5.53	-20 ÷ +60	CE;
T19R230B	230 V a.c.	50/60	0.290/0.340	62/78	550/590	370/510	67.9/71.0	5.53	-20 ÷ +60	CE;
T19U115B	115 V a.c.	50/60	0.53/0.62	58/71	550/590	370/510	67.9/71.0	5.92	-20 ÷ +60	CE;
T19U230B	230 V a.c.	50/60	0.290/0.340	62/78	550/590	370/510	67.9/71.0	5.91	-20 ÷ +60	CE;
T22R115B	115 V a.c.	50/60	1.1/1.5	130/170	800/850	520/650	74.0/75.6	6.36	-20 ÷ +60	CE;
T22R230B	230 V a.c.	50/60	0.56/0.70	125/161	800/850	520/650	75.2/76.7	6.28	-20 ÷ +60	CE;
T22U115B	115 V a.c.	50/60	1.10/1.50	130/170	800/850	520/650	74.0/75.6	6.74	-20 ÷ +60	CE;
T22U230B	230 V a.c.	50/60	0.56/0.70	125/161	800/850	520/650	75.2/76.7	6.65	-20 ÷ +60	CE;

Technical specifications



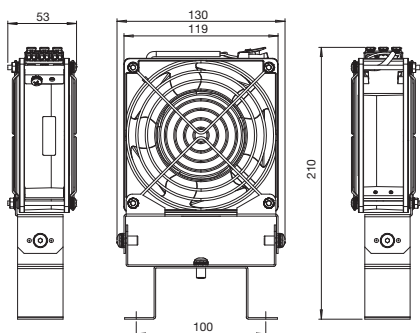


General specifications

- Prevents hot spots inside the cabinet
- Mounting by 2 screws (fixing holes ø 6mm)
- Vertical/horizontal adjustable positioning
- Metal protection guards on both sides



- ▶ Quick electrical connection with cage clamp terminal
- ▶ Easy adjustable positioning system

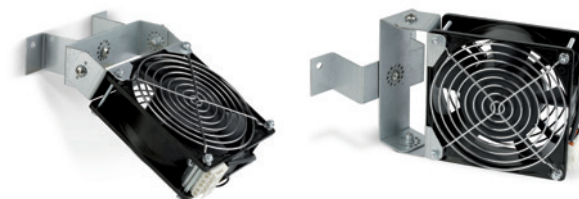


Technical data

Model	Rated Voltage	Freq.	Rated Current	Rated power	Max air flow	Static Pressure	Noise	Weight	Working Temp. Range	Approvals
	V	Hz	A	W	m ³ /h	Pa	dB(A)	Kg	°C	
OF-A12B23SWBAQ130	230 V a.c.	50/60	0.170/0.130	21/21	163/182	60/62	46.4/48.1	0.99	-10 ÷ +70	CE;

ORIENTABLE FAN

The orientable fan is designed to be mounted vertically or horizontally to eliminate hot spots and ensure distribution of air inside the enclosure.



SIMPLE POSITIONING

Adjustable in 2 axis



QUICK CONNECTION

Cage clamp free-tool wiring system



General specifications

The adaptor is a plastic frame, which allows the fan filter installation in a semi built-in position in the electric cabinet, reducing the internal dimensions.

- Available for FF, FPF and GF series in 150x150mm, 204x204mm and 325x325mm sizes
- Standard color RAL 7035 and 7032 grey, other colors on request

Technical data	
Model	Description
FPFA12-7032G	FF12, FPF12, GF12
FPFA12-7035G	FF12, FPF12, GF12
FPFA12-9005G	FF12, FPF12, GF12
FPFA15-7032G	FF15, FPF15, GF15
FPFA15-7035G	FF15, FPF15, GF15
FPFA20-7011G	FF20, FPF20, GF20
FPFA20-7032G	FF20, FPF20, GF20
FPFA20-7035G	FF20, FPF20, GF20

Technical specifications

FPFA12	FPFA15	FPFA20



General specifications

The stainless steel cover is particularly suitable for outdoors applications or in the food industry. This cover protects against splashing water and solid foreign objects and it is easily washable.

- Available for FF, FPF and GF series in all sizes
- AISI 304 stainless steel cover of 1mm with bayonet joint on support
- Stainless steel support of 0.6mm to apply between base and clips

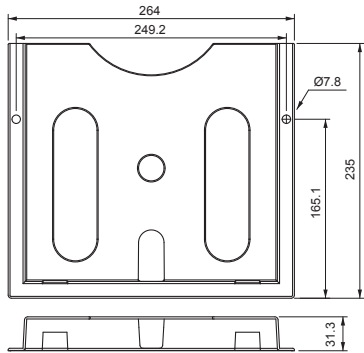


Technical data

Model	Description
SSC-08	FF08, FPF08
SSC-12	FF12, FPF12, GF12
SSC-13	FF13, FPF13
SSC-15	FF15, FPF15, GF15
SSC-20	FF20, FPF20, GF20

Technical specifications

	SSC-08	SSC-12
SSC-13	SSC-15	SSC-20

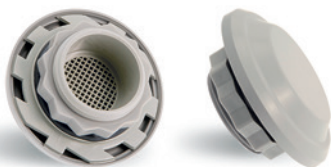


General specifications

An handy accessory for documents storage, this holder can be easily fixed on the enclosure door through a pre-arranged double side adhesive tape.

- Material: PC/ABS alloy
- Holds documents in A4 format
- Standard color RAL 7035

Technical data
Model
TPD-A4



General specifications

The pressure compensation device avoids the pressure compensation for temperature fluctuations across the seal. Air pressure changes are compensated and the ingress of dirt and water is prevented.

- Fixing system: PG29, Ø37mm
- Easy installation to any cabinet, even retrospectively
- Standard color RAL 7035



Technical data
Model
CP-U55-00



General specifications

The filter media are made of high performance nonwovens produced from elastic, break-resistant polyolefin fibers with thermal bonding.

- High arrestance throughout their entire useful lifetime, thus providing maximized operational reliability
- The filter media can be cleaned, up to 10 times, by careful washing, blowing dry and lightly beating
- Available for FF, FPF and GF series in all sizes
- G4 not for FF08 and FPF08 models



► 6 pcs. kit

Technical data

Model	Description	Filtration Class
M08FFPK	FF08, FPF08	G3
M12FFPF5K	FF12, FPF12	G4
M12FFPK	FF12, FPF12	G3
M12GFK	GF12	G3
M13FFPF5K	FF13, FPF13	G4
M13FFPK	FF13, FPF13	G3
M15FFPF5K	FF15, FPF15	G4
M15FFPK	FF15, FPF15	G3
M15GFK	GF15	G3
M20FFPF5K	FF20, FPF20	G4
M20FFPK	FF20, FPF20	G3
M20GFK	GF20	G3