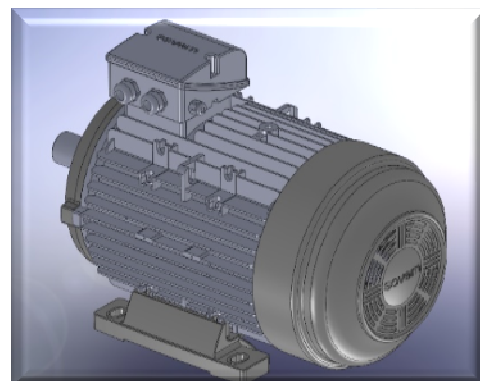


Three-phase motors with squirrel cage rotor, high efficiency motors
Cast iron Housing

Y-IE2 160M2



Duty type		S1	
Design output	(kW)	11,0	13,2
Number of poles	(-)	2	
Design frequency	(Hz)	50	60
Design speed	[rpm]	2930	3515
Voltage	(V)	400/690	480
Connection	(-)	D	Y
Current	(A)	20,0	11,5
Rated torque	(Nm)	35,8	20,0
Relative pull-in current	(-)	7,9	
Relative starting torque	(-)	2,2	
Relative pull-out torque	(-)	2,3	
Power factor	(-)	0,89	
Efficiency	(100 %)	89,4	
Efficiency	(75 %)	89,8	
Efficiency	(50 %)	87,6	
Th. cl.		155(F/B)	
Coolant temperature	(°C)	40°C	
Altitude above sea level	(m)	1000m	
Degree of protection		IP55	
Motor weight	(kg)	122	
Bearing, D-side		6309 2Z C3	
Bearing, N-side		6309 2Z C3	
Relubrication device		Standard DE+NDE	
A-sound pressure level	(dB)	87	
Special details to bearings 1		None	
Special details to bearings 2		None	
Bearing monitoring		None	
Winding protection		1 set 3 PTC sensors	
Winding protection 2		None	
Anti-condensation heating		None	
Special versions 1		None	
Special versions 2		None	
Special versions 3		None	
Cooling type		IC 411	
Limit values to vibration velocity		Class A	
Balancing		with half key	
Colour system		Moderate	
Colour shade		RAL 7031	
Layer thickness		70 µm	

Delivery conditions and/or official regulations: DIN EN 60034-1

This document was produced electronically, all specifications are valid only after confirmation of the manufacturer