

■ **Rohrkabelschuhe 90° gewinkelt**
6 - 120 mm²

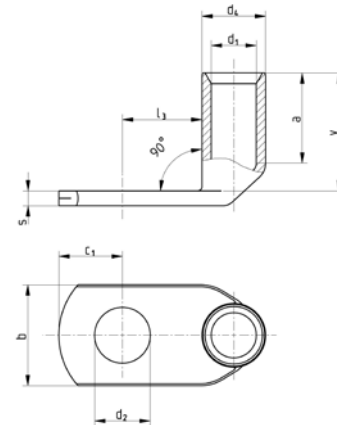
■ **Tubular cable lugs 90° angled**
6 - 120 mm²

Eigenschaften

- Werkstoff: Kupfer (EN 13600)
- Oberfläche: galvanisch verzinkt min. 6µm

Characteristics

- Material: Copper (EN 13600)
- Surface: tin plated min. 6µm



Artikel-Nr. / Part No.	Querschnitt / Cross section mm ²	Bohrung / Bolt size Ø	Abmessung / Dimension mm									Gewicht / Weight g				
			d3 Ø	d1 Ø	d2 Ø	c1	l3	a min.	y	b	s					
AMK11801	6	M 5	6.5	3.5	5.3	7.5	9.0	7.5	13.3	10.0	(2.2)	5.9				
AMK12020		M 6			6.4	6.5	10.0						15.5	12.0	(1.8)	5.65
AMK11802		M 6			6.4	7.5	11.0						13.7	12.0	(1.8)	5.8
AMK11803		M 8			8.4	10.0	13.0						14.1	14.0	(1.4)	6.1
AMK11810	10	M 6	7.0	4.5	6.4	7.5	11.0	8.0	14.2	12.0	(1.8)	5.7				
AMK11192		M 8	8.0	5.5	8.4	9.0	12.0	12.0	20.3	16.0	(1.6)	8.4				
AMK11811		M 8	7.0	4.5	8.4	10.5	13.0	8.0	14.7	15.0	(1.3)	6.3				
AMK11812		M 10	7.0	4.5	10.5	12.0	15.0	8.0	14.7	17.0	(1.3)	6.6				
AMK11820	16	M 6	8.5	5.5	6.4	7.5	11.0	10.0	17.7	12.0	(2.8)	10.1				
AMK11109		M 8	9.5	6.0	8.5	10.0	28.0	20.0	26.0	16.0	(2.5)	25.0				
AMK11195		M 8	9.5	6.0	8.5	10.0	15.0	20.0	28.0	16.0	(3.0)	19.6				
AMK11821		M 8	8.5	5.5	8.4	10.0	13.0	10.0	18.5	15.0	(2.0)	10.8				
AMK11822		M 10	8.5	5.5	10.5	12.0	15.0	10.0	18.8	17.0	(1.7)	10.9				
AMK11830	25	M 6	10.0	7.0	6.4	7.5	11.0	13.5	20.1	14.0	(2.9)	13.2				
AMK11138		M 8			8.4	10.0	22.5	17.0	26.0	17.0	(2.3)	18.9				
AMK11196		M 8			8.5	10.0	15.0	20.0	20.0	16.0	(3.0)	18.0				
AMK11831		M 8			8.4	10.0	13.0	13.5	20.6	16.0	(2.4)	14.4				
AMK11832		M 10			10.5	12.0	15.0	13.5	20.9	18.0	(2.1)	14.9				
AMK11833		M 12			13.0	13.0	18.0	13.5	21.0	19.0	(2.0)	14.4				
AMK11834		M 14			15.0	14.5	20.0	13.5	21.3	21.0	(1.7)	15.5				

>>>

Artikel-Nr. / Part No.	Querschnitt / Cross section mm ²	Bohrung / Bolt size Ø	Abmessung / Dimension mm									Gewicht / Weight g
			d3 Ø	d1 Ø	d2 Ø	c1	l3	a min.	y	b	s	
AMK11840	35	M 8	12.0	8.5	8.4	10.0	13.0	15.0	21.7	17.0	(3.3)	22.0
AMK11124		M 8			8.4	10.0	22.5	17.0	26.0	17.0	(3.3)	28.4
AMK11049		M 8			8.5	10.0	22.0	19.0	29.5	18.0	(3.0)	28.0
AMK11177		M 8			8.4	10.0	13.0	15.5	25.0	17.0	(3.3)	22.0
AMK11120		M 10			10.5	12.0	15.0	15.0	25.0	19.0	(2.8)	22.8
AMK11841		M 10			10.5	12.0	15.0	15.0	22.2	19.0	(2.8)	22.8
AMK11842		M 12			13.0	13.0	18.0	15.0	22.4	21.0	(2.6)	23.8
AMK11843		M 14			15.0	14.5	20.0	15.0	22.4	21.0	(2.6)	24.1
AMK11844		M 16			17.0	16.0	22.0	15.0	22.8	26.0	(2.2)	24.0
AMK11850		50			M 8	14.0	10.0	8.4	10.0	13.0	17.0	24.7
AMK11179	M 8		8.4	10.0	13.0			17.5	28.5	20.0	(3.8)	32.8
AMK11851	M 10		10.5	12.0	15.0			17.0	24.7	20.0	(3.8)	34.7
AMK11852	M 12		13.0	13.0	18.0			17.0	25.3	23.0	(3.2)	34.2
AMK11853	M 14		15.0	14.5	20.0			17.0	25.3	23.0	(3.2)	35.5
AMK11854	M 16		17.0	16.0	22.0			17.0	26.0	28.0	(2.5)	35.8
AMK11860	70	M 8	16.5	12.0	8.4	10.0	13.0	19.0	28.6	23.0	(4.4)	48.0
AMK12011		M 10	17.0	13.0	10.5	11.0	18.5	26.0	35.5	25.0	(4.0)	52.9
AMK11861		M 10	16.5	12.0	10.5	12.0	15.0	19.0	28.6	23.0	(4.4)	48.8
AMK11862		M 12	16.5	12.0	13.0	13.0	18.0	19.0	28.6	23.0	(4.4)	49.9
AMK11863		M 14	16.5	12.0	15.0	14.5	20.0	19.0	28.6	23.0	(4.4)	53.8
AMK11864		M 16	16.5	12.0	17.0	16.0	22.0	19.0	29.6	28.0	(3.4)	53.5
AMK11870	95	M 8	18.0	13.5	8.4	10.0	13.0	23.0	32.2	26.0	(4.3)	58.9
AMK11871		M 10			10.5	12.0	18.0		32.2	26.0	(4.3)	58.8
AMK11872		M 12			13.0	13.0	15.0		32.2	26.0	(4.3)	59.3
AMK11873		M 14			15.0	14.5	20.0		32.2	26.0	(4.3)	60.3
AMK11874		M 16			17.0	16.0	22.0		32.7	28.0	(3.8)	61.7
AMK11880	120	M 10	19.5	15.0	10.5	12.0	15.0	23.5	35.6	28.0	(4.4)	73.0
AMK11881		M 12			13.0	13.0	18.0		35.6	28.0	(4.4)	71.9
AMK11882		M 14			15.0	14.5	20.0		35.6	28.0	(4.4)	73.0
AMK11883		M 16			17.0	16.0	22.0		36.0	30.0	(4.0)	73.5

■ **Rohrkabelschuhe 90° gewinkelt**
10 - 50 mm²

■ **Tubular cable lugs 90° angled**
10 - 50 mm²

- mit Aufweitung
- mit Lötloch

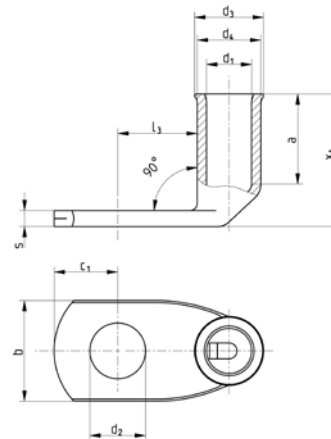
- with easy entry
- with inspection hole

Eigenschaften

- Werkstoff: Kupfer (EN 13600)
- Oberfläche: galvanisch verzinkt min. 6µm

Characteristics

- Material: Copper (EN 13600)
- Surface: tin plated min. 6µm



Artikel-Nr. / Part No.	Querschnitt / Cross section mm ²	Bohrung / Bolt size Ø	Abmessung / Dimension mm										Gewicht / Weight g
			d4 Ø	d1 Ø	d3 Ø	d2 Ø	c1	l3	a min.	x1	b	s	
AMK11702	10	M 6	6.8	4.2	(7.8)	6.4	6.5	7.7	12.5	19.5	11.0	(1.9)	5.8
AMK11128	25	M 8	9.5	6.6	(10.5)	8.4	10.0	10.0	13.5	22.0	16.0	(2.3)	12.8
AMK11176	35	M 8	11.0	7.9	(12.0)	8.5	10.0	13.0	17.0	23.5	17.0	(2.8)	17.1
AMK11169	50	M 8	12.4	9.2	(13.9)	8.4	10.0	11.6	19.0	27.0	18.0	(3.1)	22.3
AMK11006		M 10	14.5	10.5	(16.0)	10.5	12.0	26.0	17.5	29.0	21.0	(4.0)	44.0
AMK11182		M 10	12.4	9.2	(13.9)	10.5	12.0	12.0	19.0	26.0	18.0	(3.1)	24.0

**■ Rohrkabelschuhe 90° gewinkelt
50 - 70 mm²**

**■ Tubular cable lugs 90° angled
50 - 70 mm²**

■ mit Aufweitung

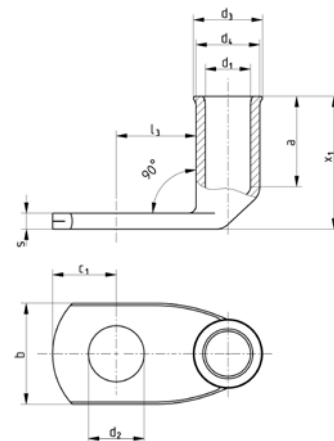
■ with easy entry

Eigenschaften

- Werkstoff: Kupfer (EN 13600)
- Oberfläche: galvanisch verzinkt min. 6µm

Characteristics

- Material: Copper (EN 13600)
- Surface: tin plated min. 6µm



Artikel-Nr. / Part No.	Querschnitt / Cross section mm ²	Bohrung / Bolt size Ø	Abmessung / Dimension mm										Gewicht / Weight g
			d4 Ø	d1 Ø	d3 Ø	d2 Ø	c1	l3	a min.	x1	b	s	
AMK11005	50	M 10	12.0	8.5	(13.0)	10.5	12.0	26.0	15.5	25.0	19.0	(3.0)	30.0
AMK11007	70	M 10	16.5	12.2	(17.8)	10.5	9.0	16.0	19.5	33.0	23.7	(4.6)	49.0
AMK11008		M 10				10.5	12.0	26.0					57.7
AMK11989		M 10				10.5	30.0	66.0					
AMK11149		M 12				13.0	13.0	26.0					57.6