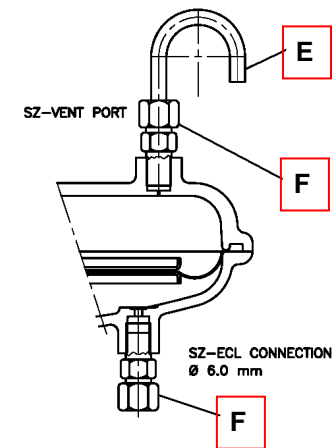
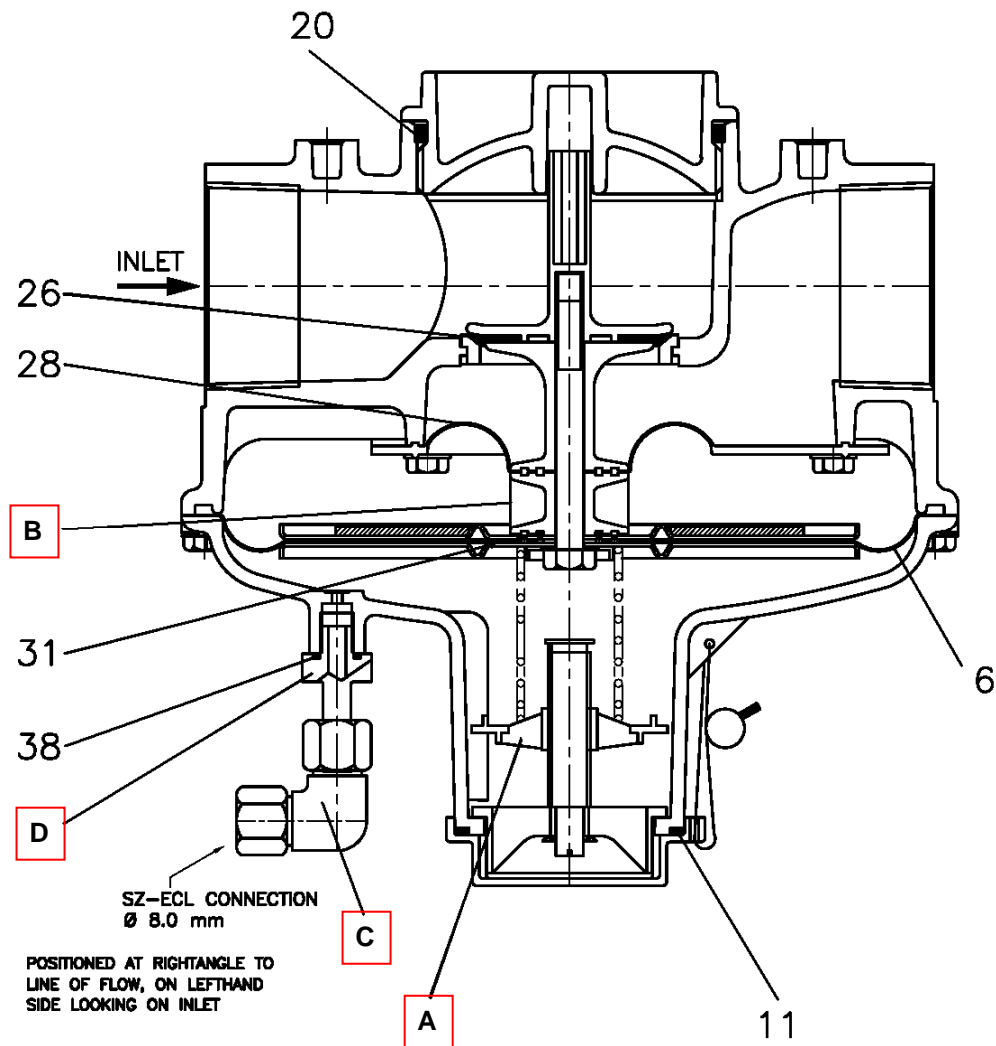


| QTY. | REF. | DESCRIPTION | PART NUMBER |
|------|------|-----------------------------------|---------------|
| 1 | 6 | Main Diaphragm (Viton) | 202/WJ/027 |
| 1 | 11 | O' Ring | 730OAVN059530 |
| 1 | 20 | O' Ring | 730OAVN620 |
| 1 | 26 | Valve Seat | 202/WN/027 |
| 1 | 28 | Middle Diaphragm (Viton) | 202/WJ/026 |
| 1 | 31 | O' Ring | 730OAVN016 |
| 1 | 38 | O' Ring (for 8mm connection only) | 730OAVN012 |



FOR ADDITIONAL SPARES INFORMATION - SEE REVERSE SIDE

= Not included

SPARES KIT REF.

200/WS-027-1

50mm: SERIES 226 SZ Mk.3 Governor (Viton)



NOTES:

The 50mm (2") - Series 226SZ-MK.3 Zero Governor is primarily manufactured for the German Market.

This kit includes a Viton Main and Middle Diaphragm - for special applications

The MK.3 type is only available in screwed sizes only

The illustration shows a standard 50mm (2") Screwed - Series 226 SZ-MK.3 Zero Governor.

Note:

The O' Ring - item (31) has been revised and now fills the inner recess of item (A). If the O' Ring previously fitted in the outer recess is still in place then this should now be removed.

O' Ring - item (38) is only required with the 8mm dia. SZ -ECL connection.

ADDITIONAL SPARES:

| | | |
|----|-----------------|---------------|
| A. | Spring Adjuster | 202/WP/011 |
| B. | Distance Piece | 202/WM/012 |
| C. | Elbow | 731JCWZW08LCF |
| D. | Standpipe | 200/WY/017 |
| E. | Vent Pipe | 200/ZE/040 |

Bryan Donkin RMG Gas Controls Limited
Enterprise Drive, Holmewood, Chesterfield
England. S42 5UZ

T. +44 (0)1246 501501
F. +44 (0)1246 501 500
E. bdrmg.sales@honeywell.com

NOTE:

For good service life this kit, containing items listed and aimed at a 5 yearly maintenance program, should be covered to prevent exposure to light, stored unstressed, away from temperature extremes and aggressive chemicals. If 2 years beyond the date stamped on the front page, inspection by and authority of a competent person should be sought prior to use.

50mm: SERIES 226 SZ Mk.3 Governor (Viton)

REF:
200/WS-027-1

REV:
2012.01



by Honeywell