

ITEM	1	Your Ref.	PUMP
Name	G271T3V1-K50AA6		

Duty	Type of liquid
Required duty	

EXECUTION

Submersible pump of robust construction: ATEX, dry motor type with interposition of the oil chamber between the hydraulic part and the motor side

CONSTRUCTION DATA

Weight (Kg)	43
Impeller type	Vortex
Free passage (mm)	50
Discharge diameter (mm)	50
Suction (mm)	55
Cooling	By surrounding fluid
Motor type	M271T-2,4-400/50NY-IE3EX - (Watertight II 2G Ex c k db IIB T4 Gb)
Mechanical prot. Degree	IP 68
Rated motor power (kW)	2,4
Rated current (A)	4,5
Starting type	Direct
Supply	3ph 400V-50Hz
Nominal speed (rpm)	2793
Winding insulation	Class H
Duty service	S1 Continuous
Electric cable	N-Neoprene submersible, length 10 m
Shaft seal	Double
Liquid max. temperature (°C)	< 45
Pump protection	Motor Thermal Protections
Surface painting	Epoxy painting

MATERIALS

Diffuser	Cast Iron EN-GJL-250
Shaft	DUPLEX ASTM A890 gr. 4A UNS 31803 SAF 2205
Impeller	Cast Iron EN-GJL-250+Ni
Upper seal	Nitrile Lip Seal
Lower seal	Silicon Carbide/Silicon Carbide
Screws	A4 Class AISI 316
O-Rings	Nitrile
Ball bearings	Ball Bearings, life lubricated

Nr. 1

Cod. Code 7005697	Peso totale Total weight 43 Kg	Materiale Construction GHISA EN-GJL-250 CAST IRON EN-GJL-250	Girante Impeller VORTEX VORTEX
--------------------------	---------------------------------------	---	---

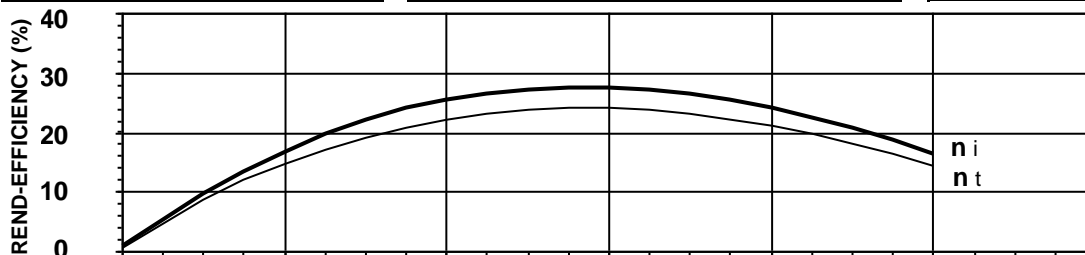
Idraulica - Hydraulic	
MANDATA DISCHARGE	50 mm
ASPIRAZIONE SUCTION	55 mm
PASSAGGIO LIBERO FREE PASSAGE	50 mm
DIAMETRO GIRANTE IMPELLER DIAMETER	155 mm

Motore- Motor		M271T-2,4-400/50NY-IE3EX		
ALIMENTAZIONE POWER SUPPLY	3ph 400V-50Hz			
CLASSE DI ISOLAMENTO INSULATION CLASS	H			
VELOCITÀ NOMINALE NOMINAL SPEED	2793 rpm			
POTENZA NOMINALE MOTORE RATED MOTOR POWER	2,4 kW			
CORRENTE DI SPUNTO STARTING CURRENT	26,6 A			
CORRENTE NOMINALE RATED CURRENT	4,5 A			
MOMENTO DI INERZIA TOTALE TOTAL MOMENT OF INERTIA	0,0091 kgm²			
	CARICO-LOADING			
	4/4	3/4	1/2	
FATTORE DI POTENZA POWER FACTOR	0,89	0,82	0,70	
RENDIMENTO MOTORE MOTOR EFFICIENCY	87 %	86 %	84 %	

Impiego - Application	
TEMP. MAX DEL LIQUID PUMPED LIQUID MAX TEMP.	< 45 °C
PROTEZIONE MECCANICA MECHANICAL PROT. DEGREE	IP 68
CAVO CABLE	2X4G1,5 H07RNF
CODICE DISEGNO DRAWING CODE	707_50_07_1
CURVA CURVE	V707-235

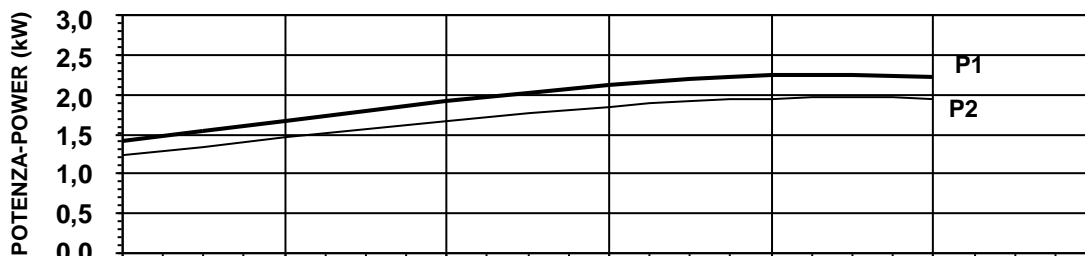
Rend. max - Best efficiency	
RENDIMENTO TOTALE TOTAL EFFICIENCY	24,1 %
RENDIMENTO IDRAULICO HYDRAULIC EFFICIENCY	27,7 %
POT. ASS. DALLA RETE ABS. POWER FROM MAINS	2,1 kW
PREVALENZA HEAD	8,8 m
PORTATA CAPACITY	20,6 m³/h

Protezioni - Protections	
PROTEZIONE TERMICA THERMAL PROTECTION	<input checked="" type="checkbox"/> YES
CONTROLLO INFILTRAZIONE HUMIDITY PROBE	<input type="checkbox"/> NO
II 2G Ex c k db IIB T4 Gb	<input checked="" type="checkbox"/> YES
MANTELLINO DI RAFFREDDAMENTO COOLING JACKET	<input type="checkbox"/> NO



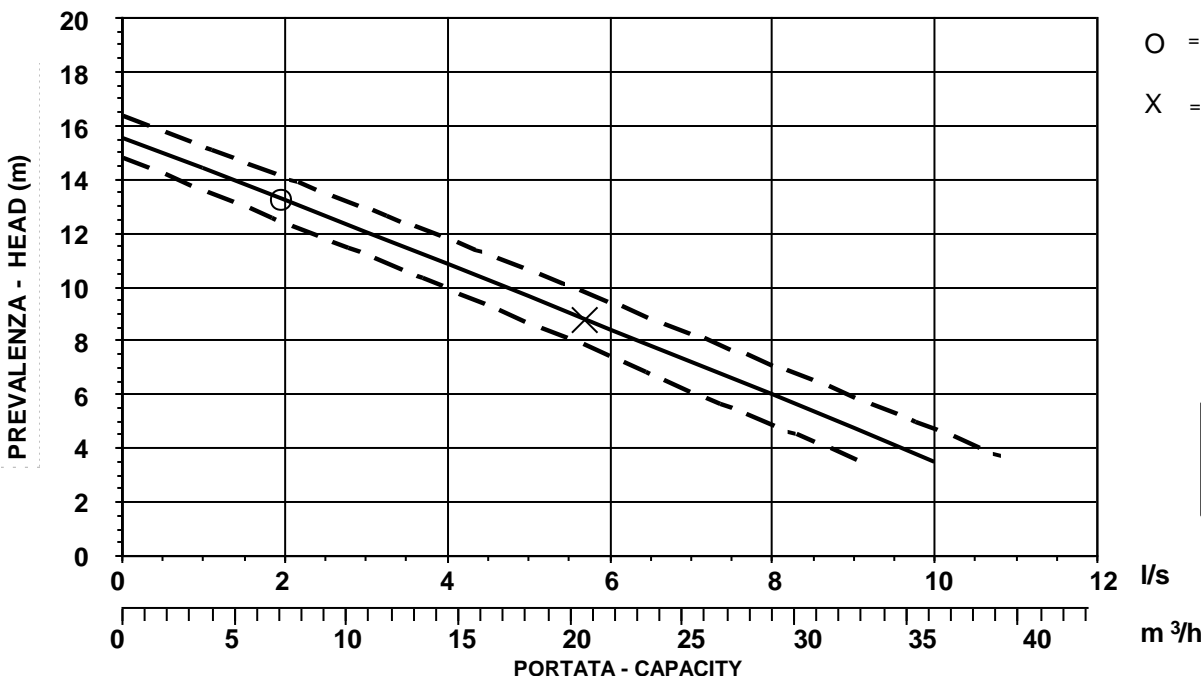
η_i = Rendimento idraulico
Hydraulic efficiency

η_t = Rendimento totale
Total efficiency



P1 = Potenza ass. dalla rete
Abs. power from mains

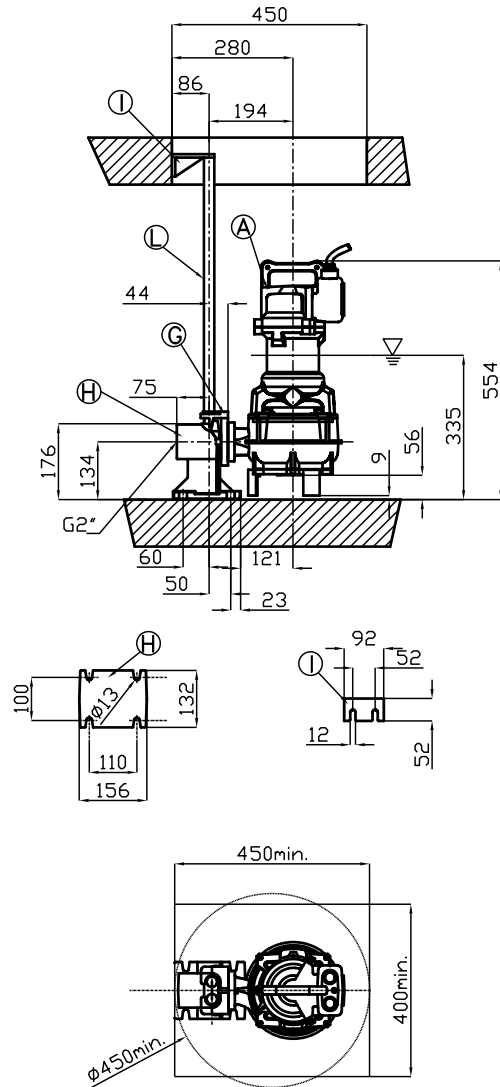
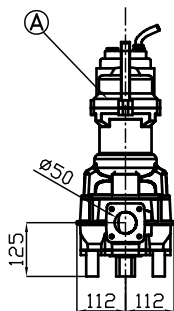
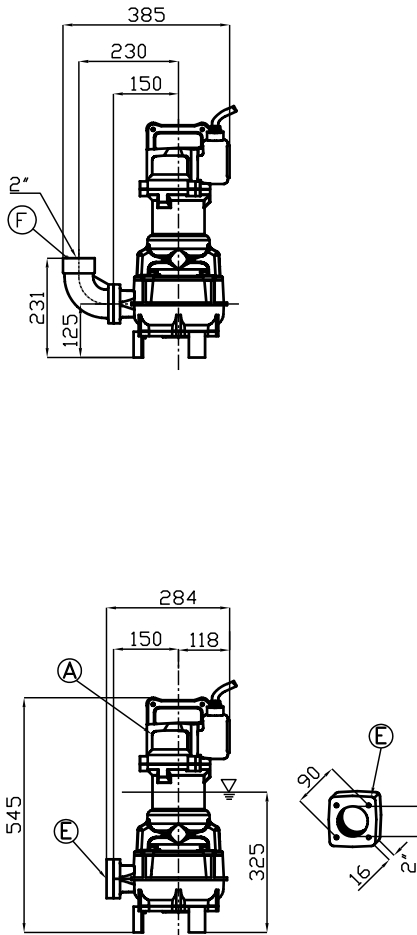
P2 = Potenza idraulica
Hydraulic power



O = Portata minima
Minimum capacity

X = Punto max rendimento
Best efficiency point





R

Pos.	Codice	Descrizione	Materiale	Peso Kg
Pos.	Code	Description	Material	Weight Kg
A	-	Elettropompa Sommersibile Submersible Pump	-	-
B	54.09310	Guarnizione DN50 Rubber joint DN50	Neoprene Neoprene	0,01
Type: R GPADN502T				
G	GCADN50	Controflangia accoppiamento 2 guide DN50 Double guide rail coupling flange DN50	GS400 Ghisa GS400 Cast-Iron	1,5
H	GBPACDN502T	Piede d'accoppiamento 2 guide DN50 Double guide coupling feet DN50	G250 Ghisa G250 Cast-Iron	6
I	SOP2TDN50	Sopporto tubi superiore 2 guide 3/4 Double guide rail upper support 3/4	G250 Ghisa G250 Cast-Iron	1,1
L	TG3/4Z	Tubo guida 3/4 Guide rail 3/4	Acciaio zincato Galvanized Steel	-
Type: S				
E	GF2	Flangetta filettata 2" Threaded flange 2"	G250 Ghisa G250 Cast-Iron	1
F	GCF2	Curva filettata 90° 2" Threaded elbow 90° 2"	G250 Ghisa G250 Cast-Iron	3

▽ LIVELLO MINIMO DI SOMMERGIBILITÀ STANDARD.
▽ PER VERSIONE ATEX, COMPLETAMENTE SOMMERSA.

▽ MINIMUM SUBMERSIBLE LEVEL STANDARD.
▽ FOR ATEX TYPE, COMPLETELY SUBMERGED.

S