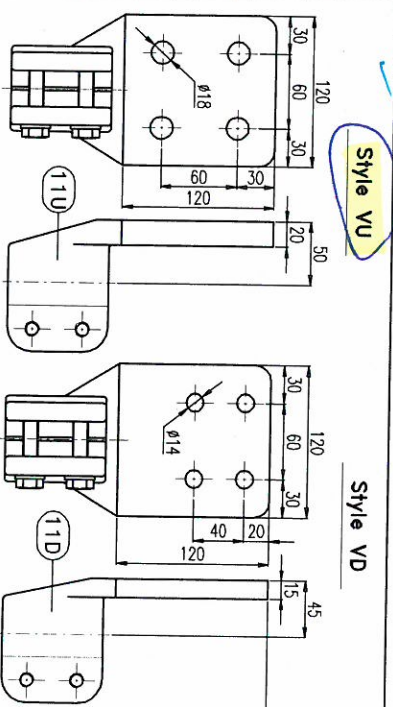


List of CEDASPE make LV Bushings to be supplied

No	SAP Code	Make of Bushings	Long Description	Qty	Remarks
1	2700097298	CEDASPE	BUSHING; MAKE: CEDASPE, MAKER'S TYPE: 20F/3150, (STYLE: E1) RATED VOLTAGE: 24KV, RATED CURRENT: 3150A, CREEPAGE DISTANCE: 440 MM, WITH VITON GASKETS AND MOUNTING ACCESSORIES INCLUDING TOP TERMINALS (STYLE-VU), DIN 42533, FOR JARA IDT LV BUSHINGS. AS PER THE ENCLOSED DRAWING NO: 3806 (Item: 1)	2	
2	2700097299	CEDASPE	BUSHING; MAKE: CEDASPE, MAKER'S TYPE: 20F/3150, (FIG-B1) RATED VOLTAGE: 24KV, RATED CURRENT: 3150A, CREEPAGE DISTANCE: 440 M, WITH VITON GASKETS AND MOUNTING ACCESSORIES INCLUDING TOP TERMINALS (ESEC. UNEL), DIN 42533, AS PER THE ENCLOSED DRAWING, UNEL 38174-74, FOR MALL IDT LV BUSHINGS.	2	
3	2700097300	CEDASPE	BUSHING; MAKE: CEDASPE, MAKER'S TYPE: 20F/4500, (STYLE- C5), RATED VOLTAGE: 24KV, RATED CURRENT: 4500A; BIL: 125KV; CREEPAGE DISTANCE: 440 (MM), STANDARD: IEC 60137, WITH VITON GASKETS AND MOUNTING ACCESSORIES INCLUDING TOP TERMINALS FOR RGNB IDT LV BUSHINGS. AS PER THE ENCLOSED DRAWING NO: 3811	2	
4	2700097301	CEDASPE	BUSHING; MAKE: CEDASPE, MAKER'S TYPE: 30F/4500, (BOTTOM ROD - R3040250), RATED VOLTAGE: 36KV, RATED CURRENT: 4500A, CREEPAGE DISTANCE: 680 MM, WITH VITON GASKETS AND MOUNTING ACCESSORIES INCLUDING TOP TERMINALS (BRASS TINNED) FOR JABLQUAY IDT LV BUSHINGS; AS PER THE ENCLOSED DRAWING NO: CE/579/JABLQUAY/E/02/594	2	
5	2700097302	CEDASPE	BUSHING; MAKE: CEDASPE, MAKER'S TYPE: 30F/3150, (STYLE-CO), RATED VOLTAGE: 36KV, RATED CURRENT: 3150A, CREEPAGE DISTANCE: 680MM; STANDARD: IEC 60137, WITH VITON GASKETS AND MOUNTING ACCESSORIES INCLUDING TOP TERMINALS (STYLE- VD),DIN 42533, FOR HDQA IDT LV BUSHINGS, AS PER THE ENCLOSED DRAWING NO:3806 (Item:5)	1	
6	2700097303	CEDASPE	BUSHING; MAKE: CEDASPE, MAKER'S TYPE: 12-3150/P4, DIN EN 50180 (FIG-C1), RATED VOLTAGE: 12 KV; RATED CURRENT: 3150A; CREEPAGE DISTANCE: 385 MM, WITH VITON GASKETS AND MOUNTING ACCESSORIES INCLUDING TOP TERMINALS (ESEC.DIN) FOR KFAF IDT LV BUSHINGS; AS PER THE ENCLOSED DRAWING NO:3802	2	

Remarks:

- 1 Each Bushings shall be packed in separate wooden / metal box for long term storage.
- 2 Spare bushings shall be suitable for replacing the existing ones, as per the enclosed drawings.
- 3 Mounting instructions, drawings and test certificate shall be supplied with each bushings
- 4 Gaskets and mounting accessories shall be supplied with each bushings
- 5 Refer the enclosed drawings for more technical details.

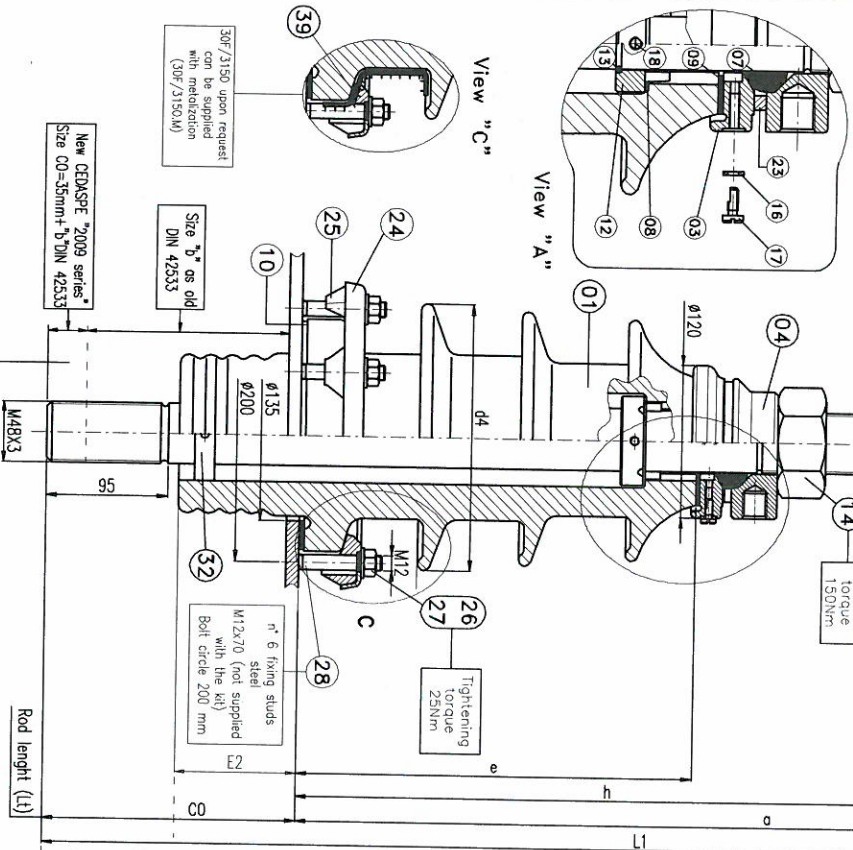


Style VU

Style VD

Style F0

Pos	Description
1	Porcelain
2	Copper rod
3	Brass cap "E"
4	Brass top washer "F"
7	NBR ring gasket "J"
8	Gasket "O"
9	NBR gasket "K"
10	NBR Flange gasket "N"
11D	Brass flag Escc. DIN
11U	Brass flag Escc. UNEL
12	Brass ring "P"
13	Copper ring "S"
14	Brass nut M40 DIN 934
16	Fiber gasket
17	Lock screw "R"
18	Locking screw
23	Bronze contact ring "U"
24	Aluminum fixing ring "V" DIN 42536 (ANSI304)
25	Aluminum clamping piece "W" DIN 42539
28	Nuts M12 DIN934 (ANSI304)
27	Washer Ø13 (ANSI304)
28	Fixing stud M12x70 (not supplied)
29	Brass nut M48 DIN934
30	Brass locknut M48 DIN936
31D-U	Brass flag Escc. DIN or UNEL
32	Center ring
39	Copper spacer ring



View "C"

View "A"

Style C0

Style E1

Style A1

Bushing Voltage kV	Current A	Creepage distance mm	PF	BIL kV	a mm	CO mm	d4 mm	e mm	E2 mm	h mm	L1 mm	Z n° of sheds	G.W. Kg	Rod LT mm
10F/3150	12	290	30	75	560	203	190	239	86	422	763	2	29	625
20F/3150	24	440	55	125	635	213	210	314	96	497	848	3	33	710
30F/3150		680	77	170	740	243	230	419	121	602	983	4	39	845
30F/3150M	36	585*												

Bushing Acc. to IEC 60137 ed. 6.0

NOTE *: Reduced CO for porcelain with melization

THE FIGURE SHOWS THE BUSHING 20/3150 (1:5 SCALE)

← DETH SAP code 27000 97E298

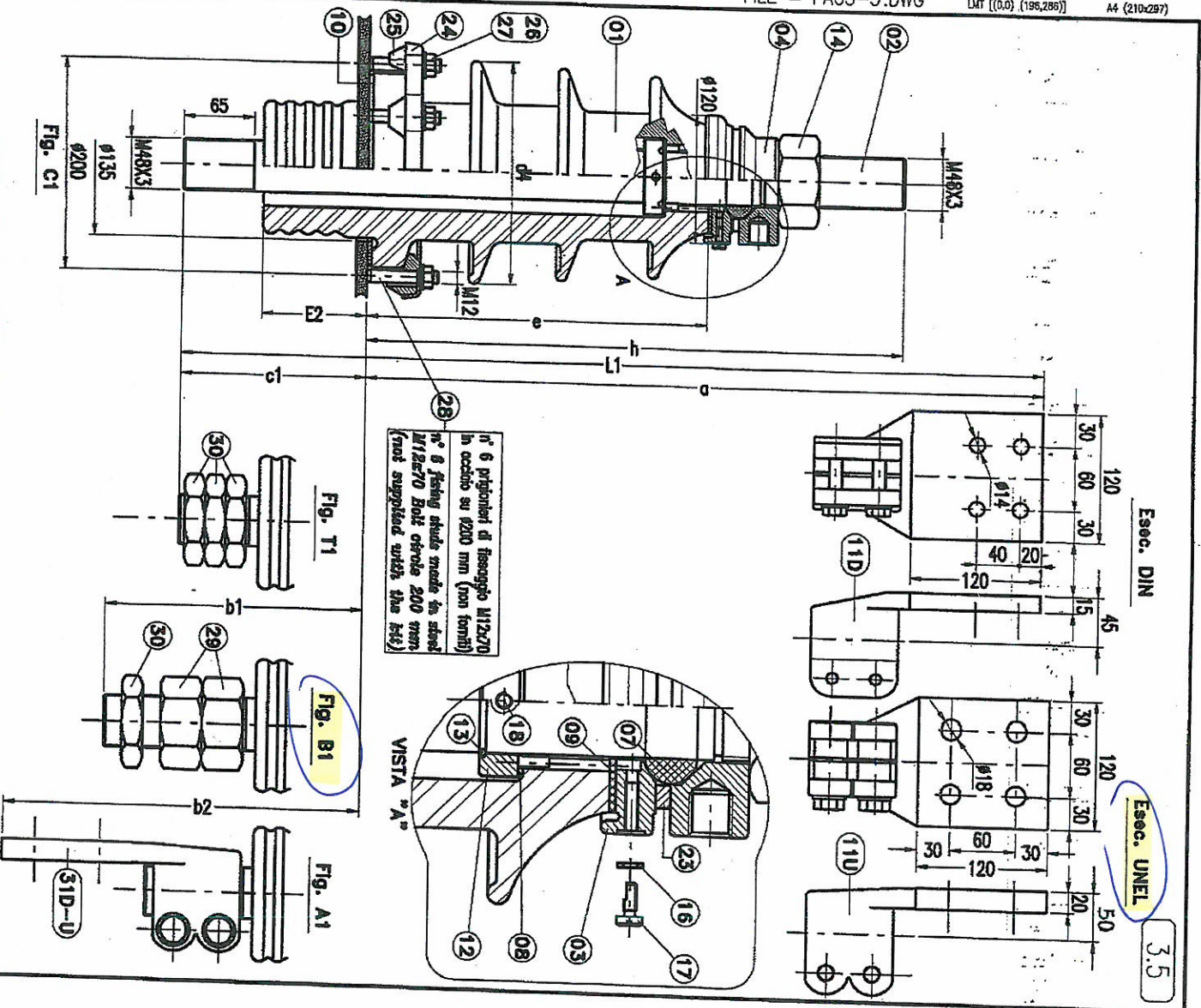


Titolo **OUTDOOR TRANSFORMER BUSHING**

DIN 42533 (UNEL 38174/74)
RATED CURRENT 3150A
VOLTAGE 12 TO 36kV

Data 11/03/13
Scala 1:5
Dis. Visto

Dis. Nr **3806**
1 2 3



n° 6 pigmenti di fascio M12/20
in acciaio su φ200 mm (non forniti)
n° 8 festugi stelo made in steel
M12x270 Bolt outside 200 mm
(not supplied with the kit)

Isolatore Bushing	Tensione Voltage KV	Corrente Current A	Linea di fuga Creepage (mm)	a	b1	b2	c1	d4	e	E2	h	L1	NALETTE # of sheds Z	Massa Kg	Volume dm ³
10F/3150	12	3150	290	560	226	316	168	190	239	86	422	728	2	29	75
20F/3150	24	3150	440	635	236	326	178	210	314	96	497	803	3	33	85
30F/3150	36	3150	680	740	261	358	208	230	419	121	602	948	4	39	95

LA FIGURA MOSTRA ISOLATORE 20/3150 IN SCALA 1:5

THE FIGURE SHOWS THE INSULATOR 20/3150 (1:5 SCALE)

CEDASPE

ISOLATORI PASSANTI PER TRASFORMATORI DIN 42533 E UNEI 38174/74
CORRENTE NOMINALE 3150A
OUTDOOR TRANSFORMER BUSHING DIN 42533 AND UNEI 38174/74
RATED CURRENT 3150A

DEWA SAP
CODE
270009729

ITEM N. 3

RGBN } 1DT LV
Quoz

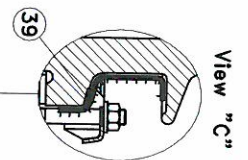
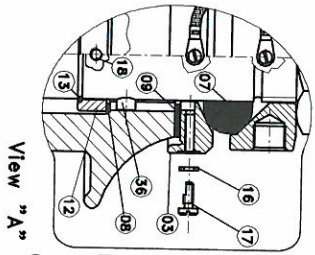
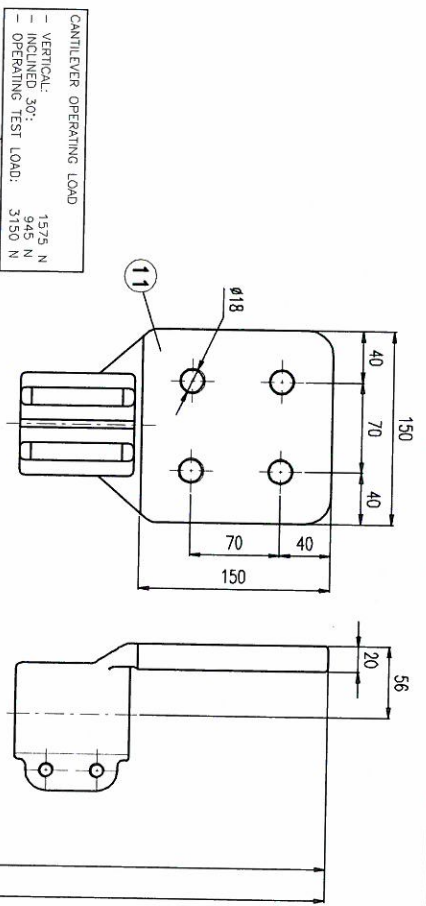
3.8

M4 (210x297) LMT [(0,0) (196,286)]

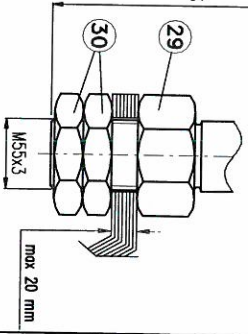
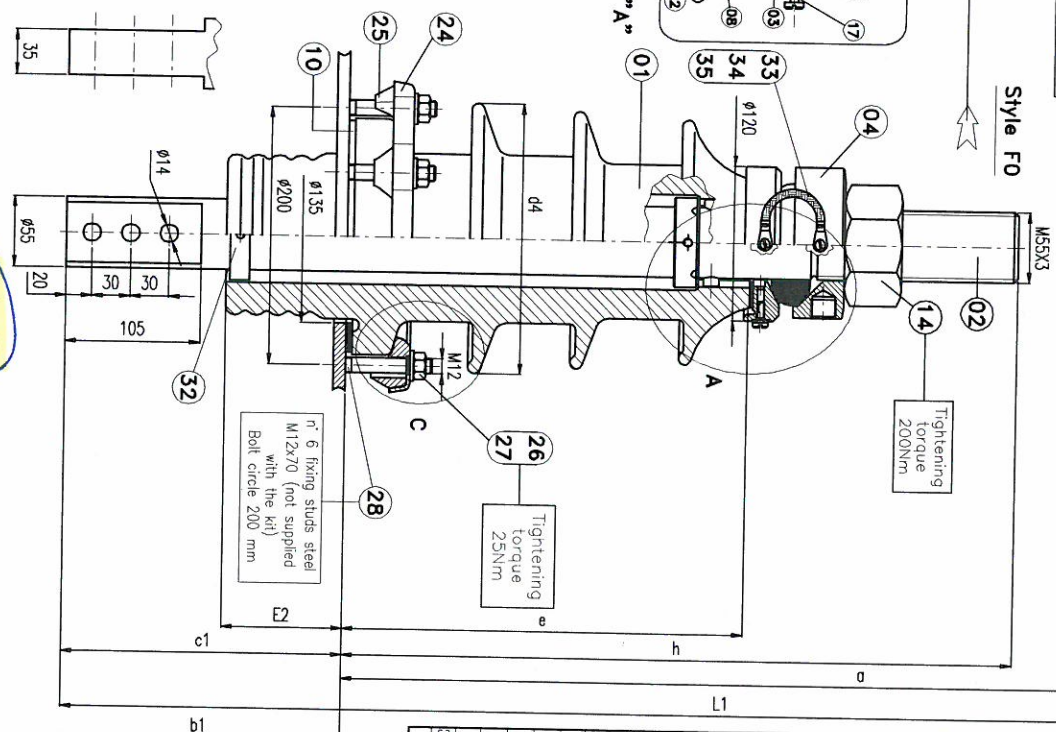
FILE = 3811.DWG

REV. 03 DTD 30/06/2014

La CEDASPE S.p.A. si riserva a termini di legge la proprietà del presente disegno con divieto di riprodurlo o comunicarlo a terzi senza sua autorizzazione.



30F/4500 upon request can be supplied with metalization (30F/4500.M)



Pos.	Description
1	Porcelain
2	Copper rod
3	Brass cap "E"
4	Brass top washer "F"
7	NBR ring gasket "J"
8	Gasket "O"
9	NBR gasket "M"
10	NBR Flange gasket "N"
11	Brass flag
12	Brass ring "P"
13	Copper ring "S"
14	Brass nut M55 DIN 934
16	Fiber gasket
17	Vent./screw "R"
18	Locking screw
23	Bronze contact ring "U"
24	Aluminium fixing ring "D"
25	Aluminium clamping piece "T"
26	Nuts M12 DIN934 (AISI304)
27	Washer Ø13 (AISI304)
28	Fixing stud M12x70 (not supplied)
29	Brass nut M55 DIN934
30	Brass locknut M55 DIN936
32	Center ring
33-35	Equipotential link
39	Copper spacer ring

Bushing Acc. to IEC 60137 ed. 6.0

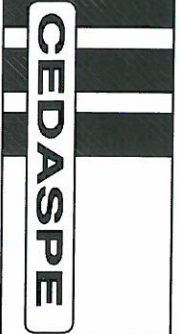
Bushing	Voltage KV	Current A	Creepage distance mm	PF	BIL KV	a mm	b1 mm	c1 mm	d4 mm	e mm	E2 mm	h mm	L1 mm	Z n° of sheds	G.W. Kg	Rad E1 mm	Rad C5 mm
10F/4500	12	4500	290	30	75	600	215	210	190	239	86	455	810	2	39	660	655
20F/4500	24	4500	440	55	125	675	225	220	210	314	96	530	895	3	47	755	750
30F/4500		4500	680	77	170	780	250	245	230	419	121	635	1025	4	55	885	880
36/4500-P3		4500	920	77	170	780	250	245	260	419	103	635	1025	5	55	885	880
36/4500-P3.M		4500	830*	77	170	780	250	245	260	419	103	635	1025	5	55	885	880

NOTE: Reduced CI for porcelain with metalization

Remark: using porcelain type 36/3150-P3 with hardware 30/4500

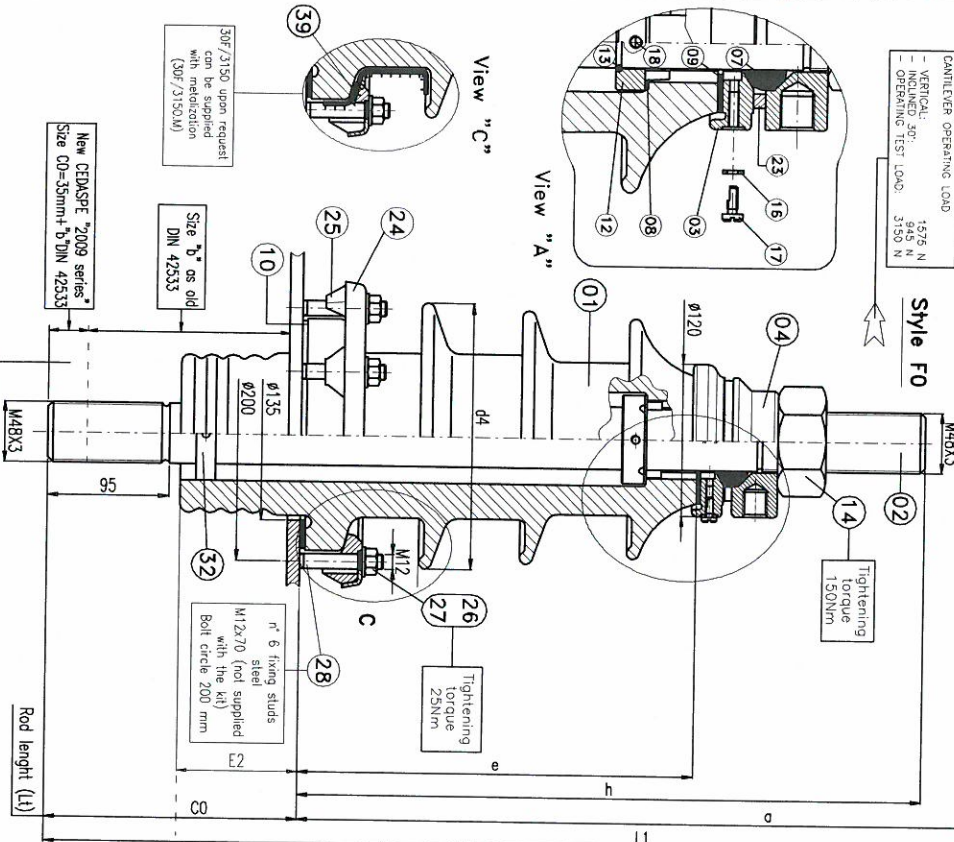
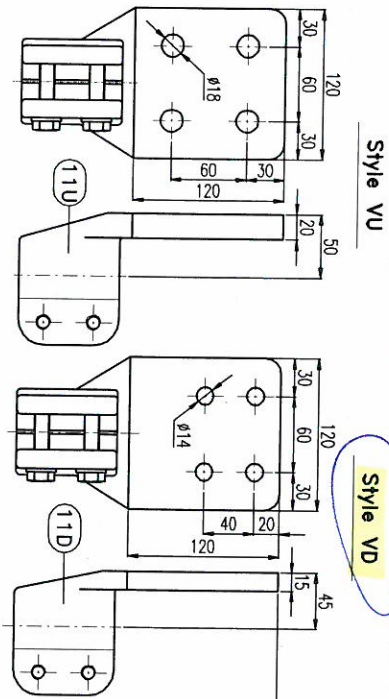
THE FIGURE SHOWS THE BUSHING 20/4500 (1:5 SCALE)

DEWA SAP CODES
2700097300



Titolo
OUTDOOR TRANSFORMER
BUSHING 12-24-36 KV
RATED CURRENT 4500A

Data 11/03/13
Scale 1:5
Dis. Nr 3811
Visto 1 2 3



Pos	Description
1	Porcelain
2	Copper rod
3	Brass cap "E"
4	Brass top washer "F"
7	NBR ring gasket "J"
8	Gasket "O"
9	NBR gasket "M"
10	NBR Flange gasket "N"
11D	Brass flag Escc DIN
11U	Brass flag Escc UNEL
12	Brass ring "P"
13	Copper ring "S"
14	Brass nut M48 DIN 934
16	Fiber gasket
17	Wash/screw "R"
18	Locking screw
23	Bronze contact ring "U"
24	Aluminum fixing ring "V" DIN 42538 (ANSI304)
25	Aluminum clamping piece "T" DIN 42538
26	Nuts M12 DIN934 (ANSI304)
27	Washer ø13 (ANSI304)
28	Fixing stud M12x70 (not supplied)
29	Brass nut M48 DIN934
30	Brass flag Escc DIN or UNEL
31D-U	Center ring
32	Center ring
39	Copper spacer ring

Bushing Voltage kV	Current A	Creepage distance mm	PF I' kV	BIL kV	a mm	C0 mm	d4 mm	e mm	E2 mm	b mm	L1 mm	Z n° of sheds	G.W. Kg	Rod LT mm
10F/3150	12	290	30	7.5	560	203	190	239	86	422	763	2	29	625
20F/3150	24	440	55	125	635	213	210	314	96	497	848	3	33	710
30F/3150	36	680	77	170	740	243	230	419	121	602	983	4	39	845
30F/3150.M		585*												

Bushing Acc. to IEC 60137 ed. 6.0

Style C0

Style E1

Style A1

NOTE *: Reduced CD for porcelain with metalization

THE FIGURE SHOWS THE BUSHING 20/3150 (1:5 SCALE)

DENVA SAP
4 CODE
2700097302



Titolo **OUTDOOR TRANSFORMER BUSHING**
DIN 42533 (UNEL 38174/74)
RATED CURRENT 3150A
VOLTAGE 12 TO 36kV

Data 11/03/13
Scala 1:5
Dis. Visto

Dis. Nr **3806**
1 2 3

