

Contactless MR-element Angle Sensor

CP-2UKN-A Series

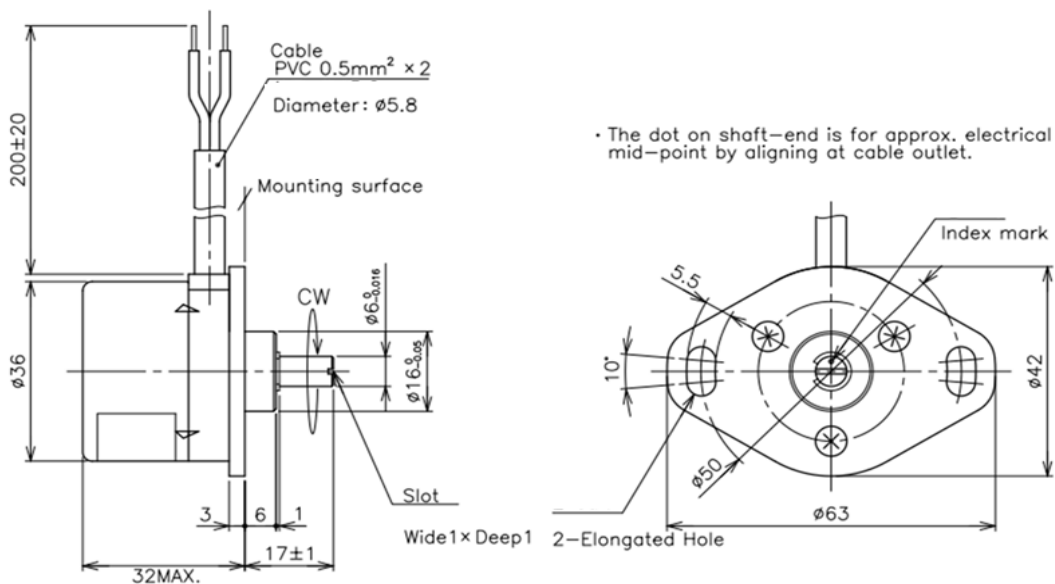


- Contactless MR-element Angle Sensor
- Effective Electrical Travel : $\pm 45^\circ$
- Independent Linearity : $\pm 2.2\%FS$
- Output Range : 4~20mA

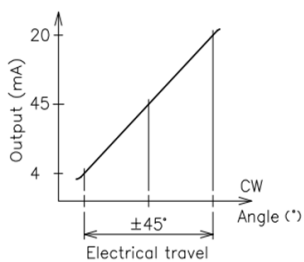
[Material]

- Housing : Aluminum
- Shaft : Stainless Steel
- Ball Bearing : Stainless Steel
- Cover : Steel, Nickel Plate

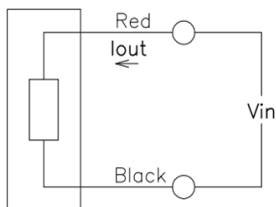
■ Dimension (mm)



■ Output Characteristics

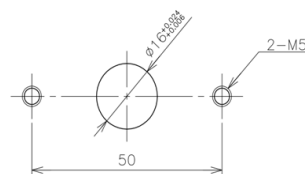


■ Schematic



• Red and Black indicate harness colors.

■ Mounting



【Model No.】	CP-2UKN-A
--------------------	------------------

Electrical Specifications	
Effective Electrical Travel	±45°
Output Range	4~20mA
Independent Linearity	±2.2%FS FS=90°
Input Voltage	DC24V±4V
Load Resistance	600Ω MAX. (at 24V/Vin)
Temp. Characteristics -20~+80°C (Reference Temp. 25°C)	@0°Position: ±1.4° @±45°Position: ±3°

Mechanical Specifications	
Total Mechanical Travel	360° Endless
Torque	2mN · m MAX.
Thrust Load Tolerance	4N
Radial Load Tolerance	14N
Mass	Approx. 80g

Environmental Specifications	
Life Cycles	50 Million cycles MIN.
Category Temperature Range	-20~+80°C
Storage Temperature Range	-40~+100°C
Vibration	100m/S ² 3axis 2hours each
Shock	1000m/S ² 3axis 6directions 3times each
EMS	10V/m (IEC61000-4-3, Level 3)
ESD (Cast to Each Terminal)	±4KV (IEC)
ESD (Each Terminal)	±4KV (IEC)
IP Level	IP54 (Except shaft side from mounting surface)

■ Handling Instruction

- These products do not shielded with shaft bearing
- Do not use this sensor as a variable resistor.
- This product may be influenced from external magnetic field.
- This model is available to remove mounting flange.