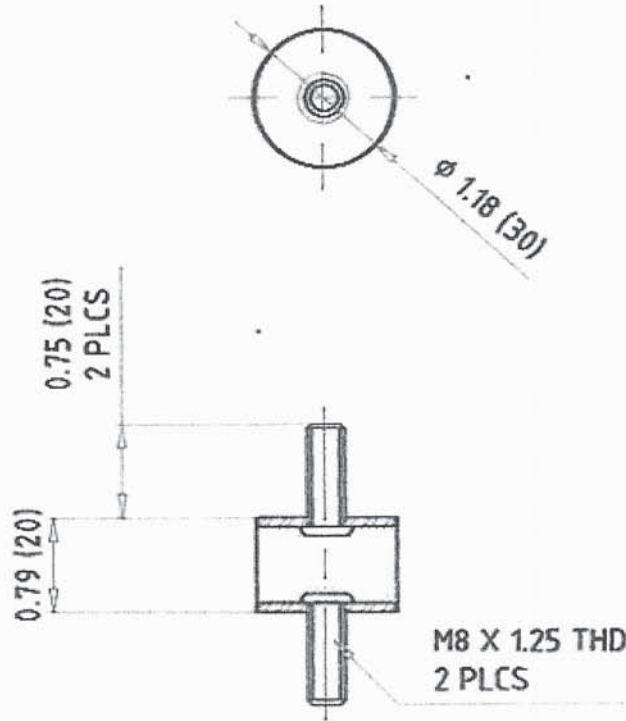


BUFFER, BA-3020-31C-75-NR57

1	1	2	3	4
REV.NO	REVISION NOTE	DATE	SIGNATURE	CHECKED

DIM'S INCH (mm)



NOTES :

1. RATED STATIC COMPRESSION (AXIAL) LOAD SPRING RATE (1204 Lb/in) 215 N/mm
 RATED STATIC COMPRESSION LOAD (121 Lb) 550 N

2. RATED STATIC SHEAR (RADIAL) LOAD SPRING RATE (246 Lb/in) 44 N/mm
 RATED STATIC SHEAR LOAD (41 Lb) 187 N

UNLESS OTHERWISE SPECIFIED TOLERANCES +/-
 .X 0.06 IN 1.50 MM
 .XX 0.03 IN 0.75 MM
 .XXX 0.01 IN 0.30 MM

2	2	CARBON STEEL, 5/16-18 THD INSERT, PIN	-03
1	X	RUBBER, NATURAL ASTM D2000 M4AA617	NR 57
ITEM REF.	QUANTITY	MATERIAL DESCRIPTION AND DESIGNATION	REFERENCE NO
DESIGNED BY	CHECKED BY	APPROVED BY - DATE	FILE NAME
			DATE 10.29.02
			SCALE



PART NAME
BUFFER, BA-3020-31C-75-NR57
 DRAWING NO
BA-03020-31C-75-NR57
 REVISION SHEET