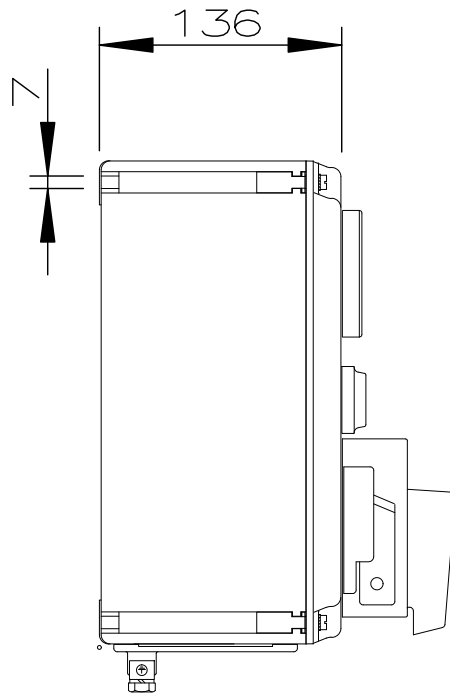
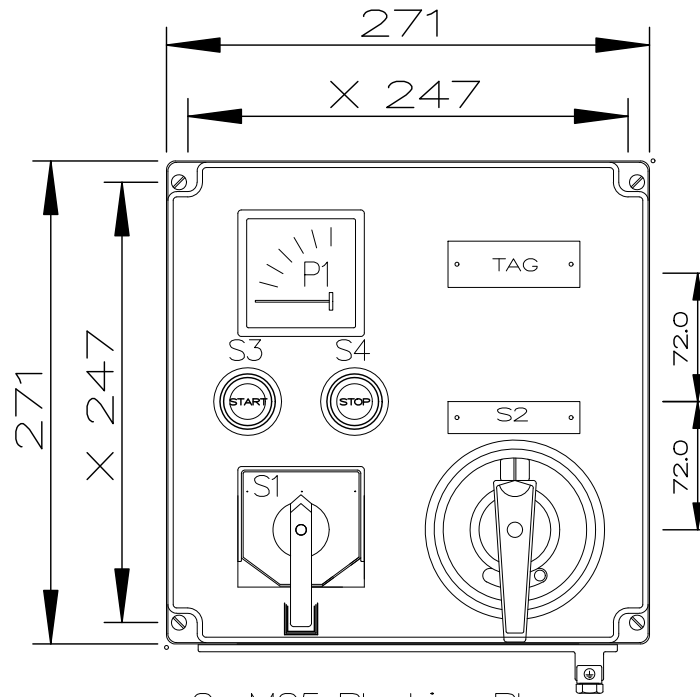


X= Fixing Dimensions

TAG labels see separate Label list

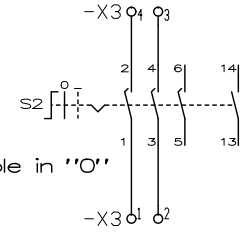
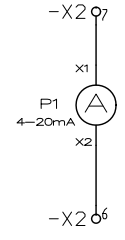
**CEAG** GHG4482402R0357  
 www.ceag.de  
 U<sub>i</sub>: 690V I<sub>max</sub> 6/20A  
 Ex d e mb IIC T6 IECEx BK1 07.0023  
 PTB 99 ATEX 1044  
 Made in Germany CE0158 IP66

**Sicherheitsschalter**  
 Deckel in AUS-Stellung nicht abnehmbar  
**SAFETY SWITCH**  
 Cover not removable in OFF-position

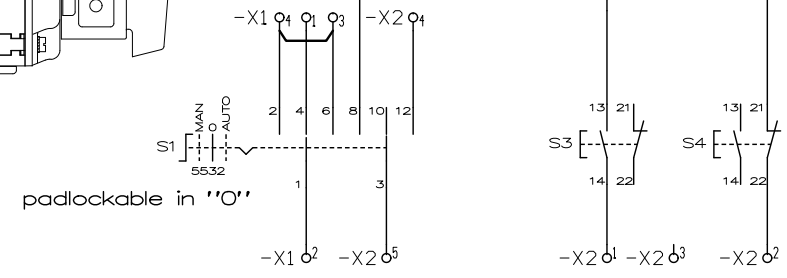
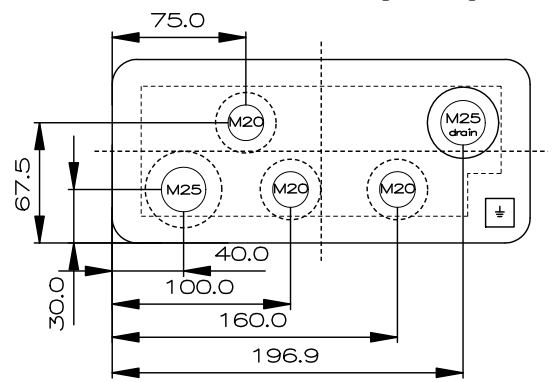


0-100/120%

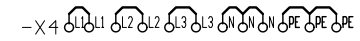
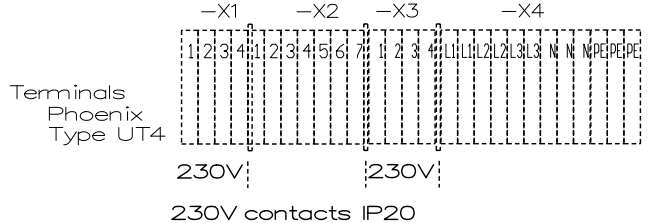
S2: ANTI CONDENSATION HEATER SAFETY SWITCH



2x M25 Blanking Plug  
 3x M20 Blanking Plug



with wire marking on both sides



"Schutzvermerk nach DIN 34 beachten"

4	08.11.2006	Jakob	date	14.07.06	Customer		Pos. 1.1	Order no.	Plant no.	Raster 60
5	20.11.2006	Jakob	Exp.	Jakob	Customer-drawing					7 Kg
6	29.11.2006	Jakob	Check.							Sheet 1
Rev.	Modific.	date	name	Regul.	Origin	Replacement f.	Replaced by	Expert	Drawing no.	Sheet of
									GHG4482402R0357	5







