

<b>Technical data</b>				Item no.	Rev.	
<b>LSN 100-65-160 S1VV1 2202</b>				Name		
Company name		Receiver				
Issued by						
Phone number						
Fax no.						
e-mail address						
<b>Operating data</b>						
1	Pumpe type	Single pump operation		Fluid	Water, pure	
2	No. of pumps	1		Operating temperature t A	°C 4	
3	Nominal flow	m <sup>3</sup> /h 103		pH-value at t A	7	
4	Nominal head	m 50		Density at t A	kg/dm <sup>3</sup> 1	
5	Static head	m 0		Kin. viscosity at t A	mm <sup>2</sup> /s 1,569	
6	Prepint	bar 0,098		Vapor pressure at t A	bar 0,00789	
7	Environmental temperature	°C 4		Content of solid %	Solid size mm 0 0	
8	Available system NPSH	m 0		Altitude	m 0	
<b>Pump data</b>						
9	Pump designation	LSN 100-65-160 S1VV1 2202				
10	Design	ISO Chemical pump		Impeller Ø	Max. mm 172	
11	Execution	without Inducer (8)			designed mm 168,6	
12	Operating speed	1/min 3540			Min. mm 124	
13	Number of stages	1		Flow	Nominal- m <sup>3</sup> /h 103 ( 103 )	
14	Intake socket	DN 100 / PN16 / EN 1092 (IC)			Max- m <sup>3</sup> /h 165,4	
15	Pressure socket	DN 65 / PN16 / EN 1092 (IC)		Min- m <sup>3</sup> /h 35,9		
16	Max. casing pressure	bar 16		Head	Nominal- m 50	
17	Max. working pressure	bar 5,8			at Qmax m 31,4	
18	Impeller type	Impeller construction	Radialrad Closed		at Qmin m 57,4	
19	Bearing bracket	32		Shaft power	kW 18,2 ( 18,2 )	
20	Lubrication	oil (standard)		Max. shaft power	kW 21,3	
21	Constant level Oil	without (side glas)		Efficiency	% 77,42	
22	Pump weight / Total weight	kg 74 / 330		NPSH 3%	m 4,2	
				Head H(Q=0)	m 58	
<b>Materials</b>						
23	Pump			Shaft Seal		
24	Impeller	alloy cast steel, 1.4408		S1.1 single seal, smooth shaft sleeve		
25	Casing	alloy cast steel, 1.4408		MG912	BQ1EGG	
26	casing cover	alloy cast steel, 1.4408		shaft sleeve	Stainless Steel	
27	Shaft	alloy steel, 1.4021		1. Seal face	Carbon, resinimpreganted	
28	impeller nut	Duplex, 1.4517		2. Stationary face	SIC - pressure-free sintered	
29	lantern	ductile iron, 0.7043		3. Stationary seal	EPDM	
30	Bearing frame	Cast iron, 0.6025		4. Springs	CrNiMo - steel	
31	Case Drain Plug	alloy steel, 1.4571		5. Others	CrNiMo - steel	
32						
33						
34						
35						
36	Wear rings	without (Standard)				
37						
<b>Motor data</b>				<b>Coupling</b>		
38	Manufacturer	WEG	Electric voltage	220 V	Manufacturer	VOGEL
39	Specific design	IE3 motors - Cast Iron Frame - Premium Efficiency		Series	flexible coupling with spacer	
40	Type	W22 - 180 M - 22kW		Type	H 110 FK-100	
41	Rated power	22 kW	Electric current	72,3 A	Frame size	110
42	Nominal speed	3540 1/min	Degree of protection	IP55	Spacer length mm	100
43	Frame size	180 M	Explosion protection	-- -- --	Weight kg	5,8
44	Weight	168 kg	Shaft diameter	48 mm	Coupling protection	yes Werkstoff :
<b>Base plate</b>				<b>Accessories</b>		
45	Name	Baseplate-180 M		Piping		
46	Weight	kg 82		heating jacket (casing)	<input type="checkbox"/> yes / no	
<b>Remarks</b>				heating jacket (casing cover)	<input type="checkbox"/> yes / no	
47				Constant level Oiler	<input type="checkbox"/> yes / no	
48				Anchorbolts	<input type="checkbox"/> yes / no	
49					<input type="checkbox"/> yes / no	
50					<input type="checkbox"/> yes / no	
51					<input type="checkbox"/> yes / no	
52					<input type="checkbox"/> yes / no	
Project		Project ID		Created by	Created on	Last update
					12-7-2018	

## hydraulic LSN 100-65-160 S1VV1 2202

Company name	Receiver
Issued by	
Phone number	
Fax no.	
e-mail address	

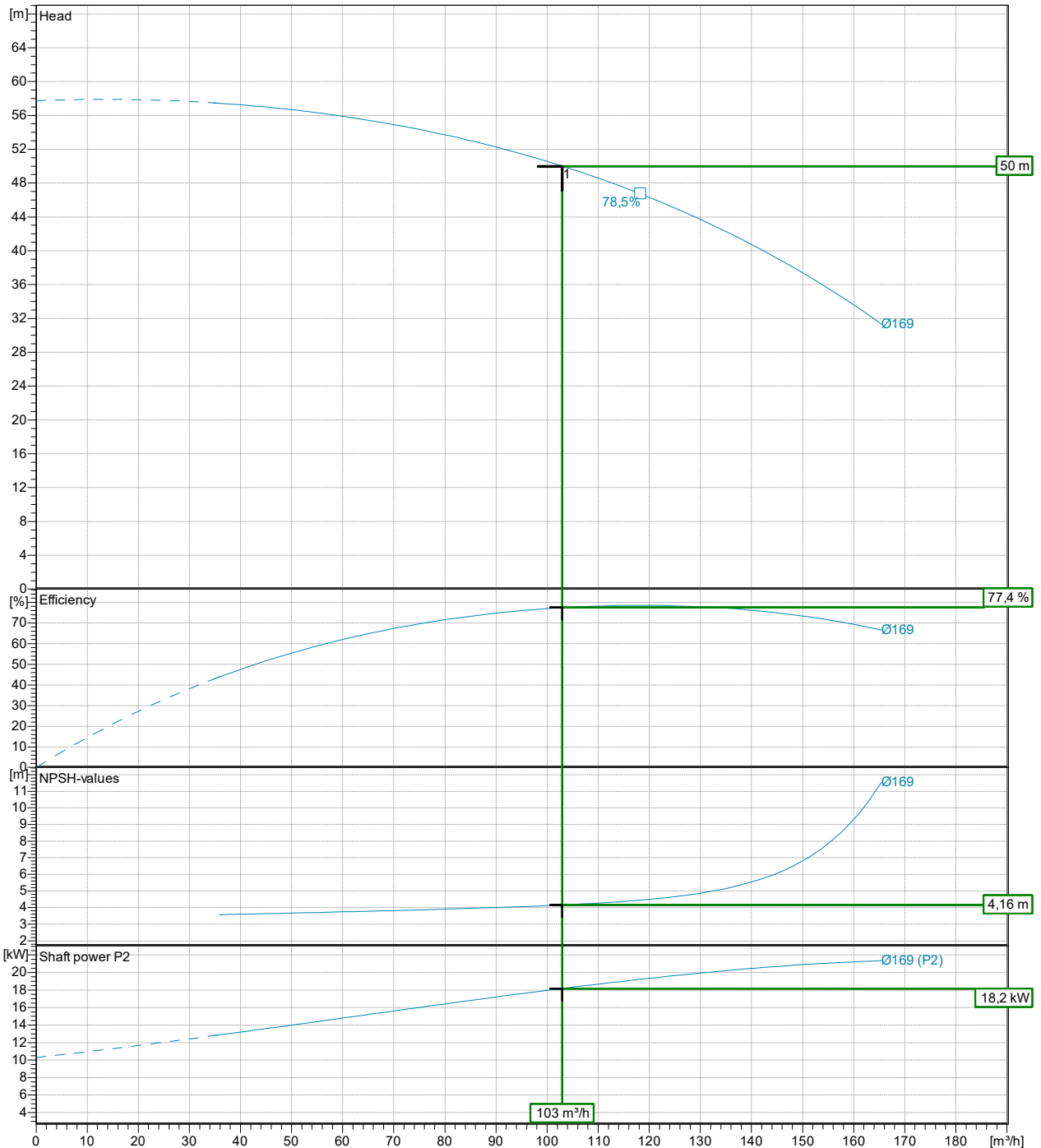
Impeller										Impeller type		Radialrad		
	Ø mm	Pump capacity			Pump head		Shaft power P2			Impeller design	Closed			
		Operating range Min. m³/h	Max. m³/h	η Max. m³/h	H(Q=0) m	η Max. m	P2(Q=0) kW	Max. kW	η Max. kW	Sense of rotation	Clockwise from the drive end			
actual	169	35,9	165	118	57,7	46,7		21,3	19,2	Discharge width	mm	7,0		
Min.	124	/	/	84,8	28,7	20,7		/	7,82	Free passage	mm			
Max.	172	/	/	122	60,3	48,9		/	20,3	Frequency	Hz	60		
Duty chart										3550 rpm	Operating speed	1/min	3540	

**Power datas referred to:**

**hydr. Performance acceptance acc. To EN ISO 9906 Class**

Water, pure [100%] ; 4°C; 1kg/dm³; 1,57mm²/s

Grade 2B



Project	Project ID	Created by	Created on 12-7-2018	Last update
---------	------------	------------	-------------------------	-------------

**Dimensions**
**LSN 100-65-160 S1VV1 2202**

 Company name  
Issued by  
Phone number  
Fax no.  
e-mail address

Receiver

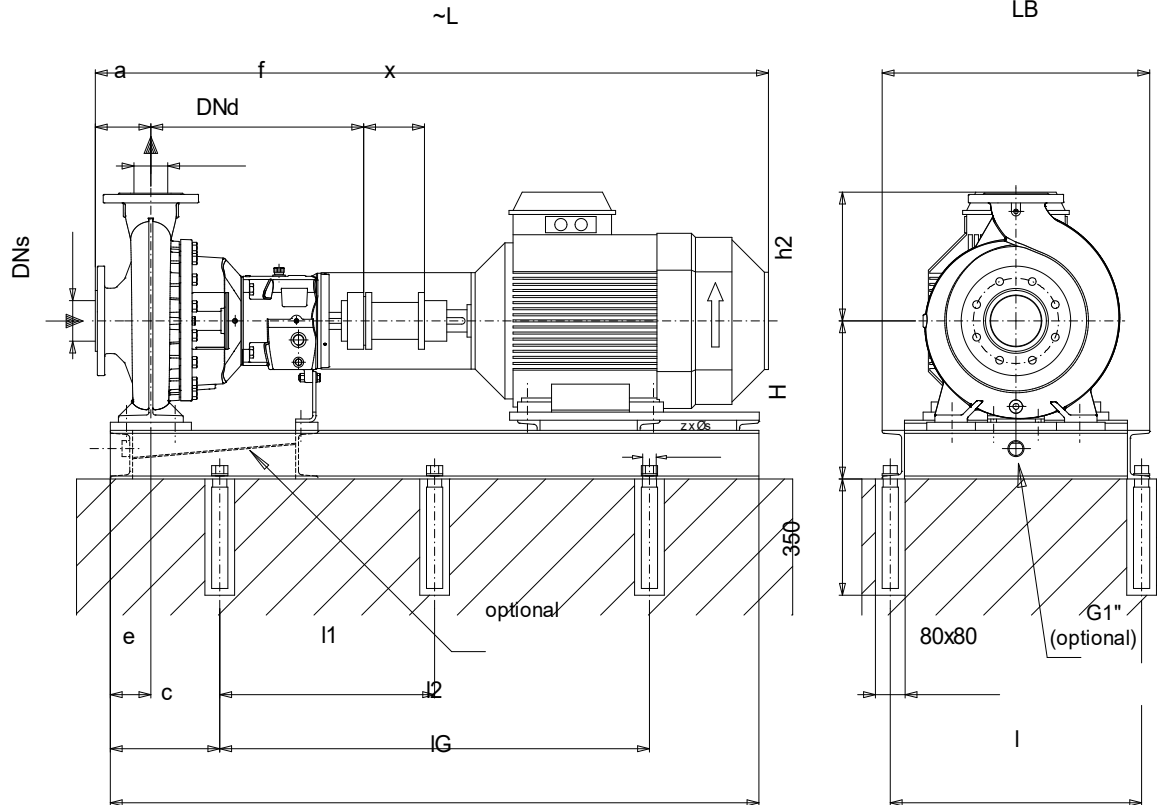
From

Unit with standard motor brand and accessories

without Inducer (8)

**Dimensions**

[ mm ]



Dimensions and weight without obligation

~L	1364
a	100
c	205
DNd	65
DNs	100
e	75
f	500
H	305
h2	200
i	90
l	490
l1	420
l2	840
LB	530
IG	1250
s	19
Volumen	0,36507
x	100
z	6

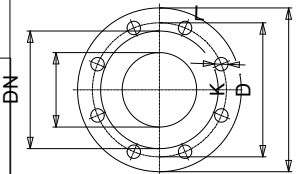
**Connections**

[ mm ]

<b>Intake socket</b>	<b>Pressure socket</b>
DN 100	DN 65
PN16	PN16
EN 1092 (IC)	EN 1092 (IC)

Weight [ kg ]	
Pump	74
Coupling	6
Base plate	82
Motor	168
Total weight	~ 330

C	24	C	20
d	157	d	122
D	230	D	185
K	180	K	145
L	19	L	19
n	8	n	4



Project

Project ID

Created by

 Created on  
12-7-2018

Last update