

## HALOPAR 16 GU10/GZ10

Halogen lamps with parabolic reflector PAR16, with GU10/GZ10 base



### Areas of application

- General illumination
- Shops
- Restaurants, hotels and similar prestigious applications

### Product benefits

- Brilliant accent light
- With whole glass reflector for brilliant lighting effects
- Approved for use in open luminaires (to IEC 60598-1)
- No transformer required
- UV filter
- Innovative bulb pinch technology for the burner
- Complies with IEC 60432-2 thanks to integrated fuse function
- Contains no mercury

### Product features

- Average life: 2,000 h
- 100 % dimmable
- Color rendering index  $R_a$ : 100
- Base: GU10, GZ10

## Product family datasheet

### Technical data

Product description	Electrical data				Photometrical data			Light technical data			Dimensions & weight	
	Nominal wattage	Nominal voltage	Rated wattage	Power factor $\lambda$	Nominal useful luminous flux 90°	Color temperature	Color rendering index Ra	Beam angle	Starting time	Warm-up time (60 %)	Diameter	Overall length
HALOPAR 16 20 W 230 V 35° GU10 <sup>1)</sup>	20.00 W	230 V	20.00 W	1.00	100 lm	2700 K	100	35 °	0.0 s	0.00 s	51.0 mm	53.0 mm
HALOPAR 16 35 W 230 V 35° GU10 <sup>1)</sup>	35.00 W	230 V	35.00 W	1.00	190 lm	2700 K	100	35 °	0.0 s	0.00 s	51.0 mm	53.0 mm
HALOPAR 16 35 W 240 V 35° GU10 <sup>1)</sup>	35.00 W	240 V	35.00 W	1.00	190 lm	2700 K	100	35 °	0.0 s	0.00 s	51.0 mm	53.0 mm
HALOPAR 16 50 W 120 V 35° GU10 <sup>1)</sup>	50.00 W	120 V	50.00 W	1.00		2800 K	100	35 °	0.0 s	0.00 s	51.0 mm	53.0 mm
HALOPAR 16 50 W 230 V 35° GU10 <sup>1)</sup>	50.00 W	230 V	50.00 W	1.00	300 lm	2800 K	100	35 °	0.0 s	0.00 s	51.0 mm	53.0 mm
HALOPAR 16 50 W 230 V 35° GZ10 <sup>1)</sup>	50.00 W	230 V	50.00 W	1.00	300 lm	3000 K	100	35 °	0.0 s	0.00 s	51.0 mm	53.0 mm
HALOPAR 16 50 W 240 V 30° GU10 <sup>1)</sup>	50.00 W	240 V	50.00 W	1.00	300 lm	2800 K	100	30 °	0.0 s	0.00 s	51.0 mm	53.0 mm

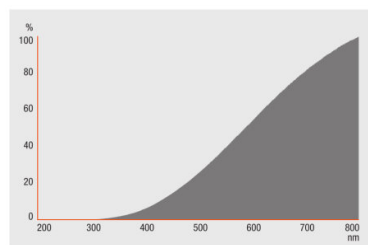
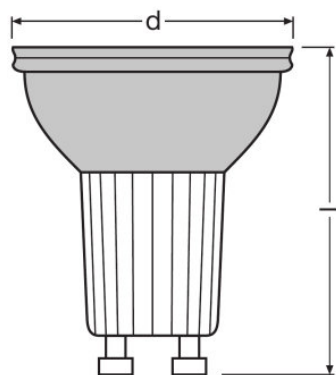
Product description	Lifespan				Additional product data			Capabilities
	Nominal lamp life time	Rated lamp life time	Number of switching cycles	Lumen main. fact. at end of nom. life time	Base (standard designation)	Mercury content	Mercury-free	Burning position
HALOPAR 16 20 W 230 V 35° GU10 <sup>1)</sup>	2000 h	2000 h	50000	0.75	GU10	0.0 mg	Yes	Any
HALOPAR 16 35 W 230 V 35° GU10 <sup>1)</sup>	2000 h	2000 h	50000	0.75	GU10	0.0 mg	Yes	Any
HALOPAR 16 35 W 240 V 35° GU10 <sup>1)</sup>	2000 h	2000 h	50000	0.75	GU10	0.0 mg	Yes	Any
HALOPAR 16 50 W 120 V 35° GU10 <sup>1)</sup>	2000 h	2000 h	1000000		GU10	0.0 mg	Yes	Any
HALOPAR 16 50 W 230 V 35° GU10 <sup>1)</sup>	2000 h	2000 h	50000	0.75	GU10	0.0 mg	Yes	Any
HALOPAR 16 50 W 230 V 35° GZ10 <sup>1)</sup>	2000 h	2000 h	50000	0.75	GZ10	0.0 mg	Yes	Any
HALOPAR 16 50 W 240 V 30° GU10 <sup>1)</sup>	2000 h	2000 h	50000	0.75	GU10	0.0 mg	Yes	Any

Product description	Dimmable	Certificates & standards		Country specific categorizations
		Energy efficiency class	Energy consumption	ILCOS
HALOPAR 16 20 W 230 V 35° GU10 <sup>1)</sup>	Yes	D	20 kWh/1000h	HAGS/UB-20-230-GU10-51/35

## Product family datasheet

Product description	Dimmable	Certificates & standards		Country specific categorizations
		Energy efficiency class	Energy consumption	ILCOS
HALOPAR 16 35 W 230 V 35° GU10 <sup>1)</sup>	Yes	D	35 kWh/1000h	HAGS/UB-35-230-GU10-51/35
HALOPAR 16 35 W 240 V 35° GU10 <sup>1)</sup>	Yes	D	35 kWh/1000h	HAGS/UB-35-240-GU10-51/35
HALOPAR 16 50 W 120 V 35° GU10 <sup>1)</sup>	Yes			HAGS/UB-50-120-GU10-51/35
HALOPAR 16 50 W 230 V 35° GU10 <sup>1)</sup>	Yes	D	50 kWh/1000h	HAGS/UB-50-230-GU10-51/35
HALOPAR 16 50 W 230 V 35° GZ10 <sup>1)</sup>	Yes	D	50 kWh/1000h	HAGS/UB-50-230-GU10-51/35
HALOPAR 16 50 W 240 V 30° GU10 <sup>1)</sup>	Yes	D	50 kWh/1000h	HAGS/UB-50-240-GU10-51/30

<sup>1)</sup> Not suitable for outdoor use or damp conditions/Banned from 1.9.2016 as per EU phase-out plan



HALOPAR 16 20 W 230 V 35° GU10,  
 HALOPAR 16 35 W 230 V 35° GU10,  
 HALOPAR 16 35 W 240 V 35° GU10,

HALOPAR 16 20 W 230 V 35° GU10,  
 HALOPAR 16 35 W 230 V 35° GU10,  
 HALOPAR 16 35 W 240 V 35° GU10,

## Product family datasheet

HALOPAR 16 50 W 120 V 35° GU10,  
HALOPAR 16 50 W 230 V 35° GU10,  
HALOPAR 16 50 W 230 V 35° GZ10,  
HALOPAR 16 50 W 240 V 30° GU10

HALOPAR 16 50 W 230 V 35° GU10,  
HALOPAR 16 50 W 230 V 35° GZ10,  
HALOPAR 16 50 W 240 V 30° GU10

### Application advice

For more detailed application information and graphics please see product datasheet.

### Logistical Data

Product code	Product description	Packaging unit (Pieces/Unit)	Dimensions (length x width x height)	Volume	Gross weight
4008321279057	HALOPAR 16 20 W 230 V 35° GU10	Shipping carton box 20	257 mm x 131 mm x 111 mm	3.74 dm <sup>3</sup>	1016.80 g
4050300727165	HALOPAR 16 35 W 230 V 35° GU10	Shipping carton box 20	257 mm x 134 mm x 108 mm	3.72 dm <sup>3</sup>	1049.68 g
4050300727165	HALOPAR 16 35 W 230 V 35° GU10	Shipping carton box 20	214 mm x 134 mm x 155 mm	4.44 dm <sup>3</sup>	1016.80 g
4050300727165	HALOPAR 16 35 W 230 V 35° GU10	Shipping carton box 60	261 mm x 200 mm x 212 mm	11.07 dm <sup>3</sup>	2826.00 g
4050300727226	HALOPAR 16 35 W 240 V 35° GU10	Shipping carton box 20	257 mm x 130 mm x 111 mm	3.71 dm <sup>3</sup>	1036.80 g
4050300727226	HALOPAR 16 35 W 240 V 35° GU10	Shipping carton box 2800	1294 mm x 958 mm x 471 mm	583.88 dm <sup>3</sup>	135400.00 g
4050300580173	HALOPAR 16 50 W 120 V 35° GU10	Shipping carton box 20	257 mm x 132 mm x 131 mm	4.44 dm <sup>3</sup>	1036.80 g

## Product family datasheet

Product code	Product description	Packaging unit (Pieces/Unit)	Dimensions (length x width x height)	Volume	Gross weight
4050300580111	HALOPAR 16 50 W 230 V 35° GU10	Shipping carton box 20	257 mm x 134 mm x 111 mm	3.82 dm <sup>3</sup>	1040.00 g
4050300580111	HALOPAR 16 50 W 230 V 35° GU10	Shipping carton box 20	208 mm x 132 mm x 160 mm	4.39 dm <sup>3</sup>	1036.80 g
4050300580111	HALOPAR 16 50 W 230 V 35° GU10	Shipping carton box 60	261 mm x 200 mm x 212 mm	11.07 dm <sup>3</sup>	2819.00 g
4052899181090	HALOPAR 16 50 W 230 V 35° GU10	Shipping carton box 20	290 mm x 254 mm x 134 mm	9.87 dm <sup>3</sup>	1033.00 g
4050300501857	HALOPAR 16 50 W 230 V 35° GZ10	Shipping carton box 20	257 mm x 132 mm x 111 mm	3.77 dm <sup>3</sup>	1036.80 g
4008321595294	HALOPAR 16 50 W 240 V 30° GU10	Shipping carton box 20	256 mm x 106 mm x 134 mm	3.64 dm <sup>3</sup>	1030.00 g
4050300580159	HALOPAR 16 50 W 240 V 30° GU10	Shipping carton box 20	230 mm x 130 mm x 165 mm	4.93 dm <sup>3</sup>	1036.80 g

The mentioned product code describes the smallest quantity unit which can be ordered. One shipping unit can contain one or more single products. When placing an order, for the quantity please enter single or multiples of a shipping unit.

### References / Links

For light distribution curves see

▶ [www.osram.com](http://www.osram.com)

### Disclaimer

Subject to change without notice. Errors and omission excepted. Always make sure to use the most recent release.