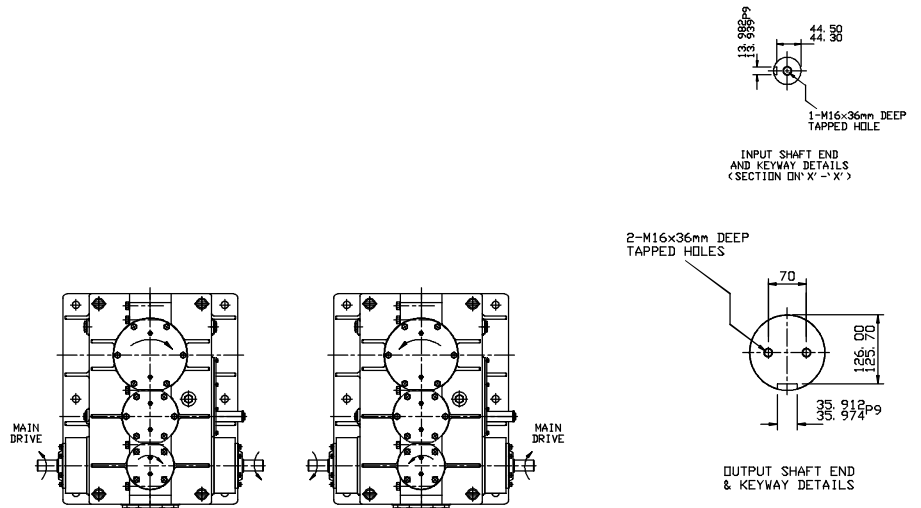
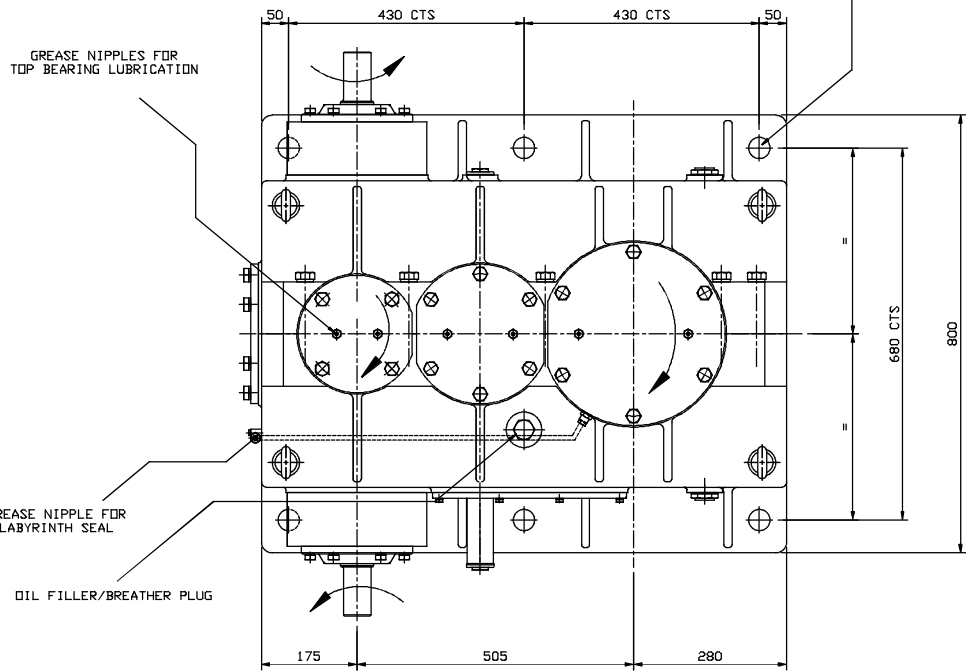
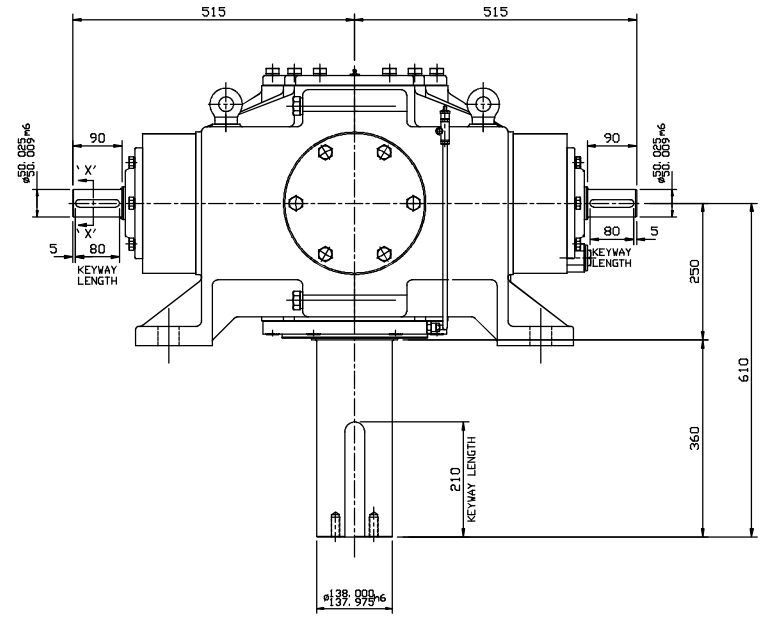
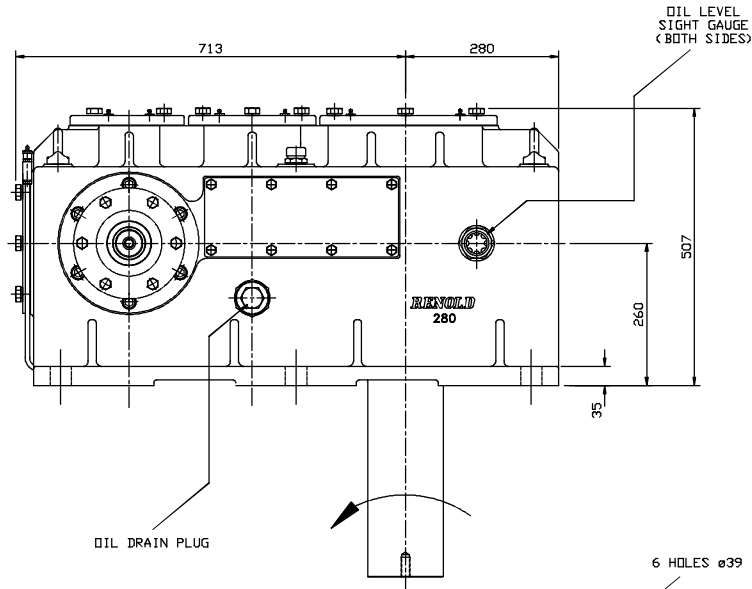
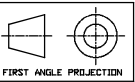


SHOP ORDER	QUANTITY	REF. NO.	DATE
R1378127/1	4	138127	28-05-04



	UNLESS OTHERWISE STATED ALL DIMENSIONS IN MILLIMETRES UNLIMITED W/C DIM'S ±0.2 ANGULAR ±0.5° DRAWING PRACTICE TO B.S.308:1985 WELDING SYMBOLS TO B.S.499:1980 ALL SHARP CORNERS TO BE REMOVED	TITLE:- EXTERNAL ARRANGEMENT FOR SPECIAL 280 BEVEL/HELICAL GEAR UNIT		PLOT SCALE 0.2	DRAWN A.W.T	CHECKED CT	STOCK □/OUT	3-6-04	01-11-04	DRG No. 0A/6376E
		MATERIAL:-								
HILROYD GEAR WORKS MILNRDOW, ENGLAND				CUSTS PART No. -		FILE STORES No. R0022808001		A1		