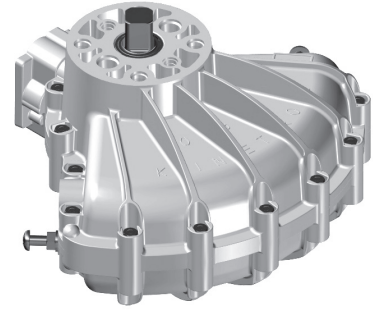


KINETROL-actuator Model 09A-100 / 093-100

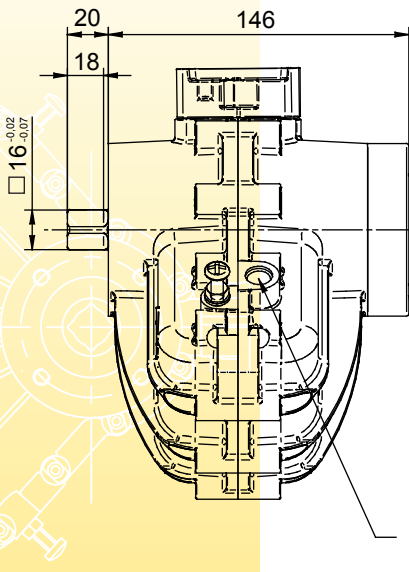
Model 093-100 without NAMUR-adapter plate

DIN-device
double acting



Specification

Angle of Travel	80° to 100°
Working Temp. Range	-20°C to +80°C (with VITON-seals up to +100°C)
max. Working Pressure	7bar
max. Overload Pressure	10bar
max. Output Torque	261Nm (at 7bar)
Air Quality	clean and dry (quality class 4.5.5, acc. to ISO8573.1)
Displaced Volume	644cm ³
Weight	7,36kg
Finish	epoxy stove enamel

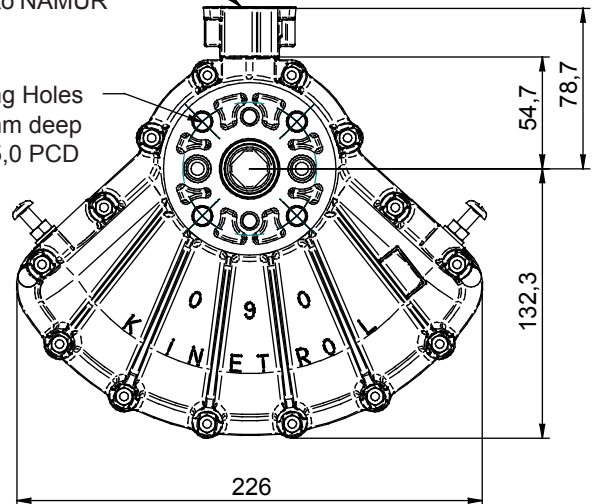


NAMUR-adapter plate
2 air ports R1/4" or
connection to NAMUR

4 Mounting Holes
M10 x 20mm deep
on Ø65,0 PCD

Flange Dimensions
acc. to EN ISO5211, F07
4 Mounting Holes
M8 x 13mm deep
on Ø70 PCD
Female Square:
□ 17 x 19mm deep

2 Air Ports staggered
G1/4"



Options

- Spring Return Unit
spring units are available for either clockwise (Code F120) or counter clockwise (Code F130)
- Solenoid Valve acc. to NAMUR
- Limit Switch Unit
- AP-positioner
- EL-positioner
- P3-positioner
- Position Indicator / Monitor

Standard Stroke Adjustment = 90°
recommended seal kit SP045, consisting of:
2 vane seals, 2 expander, 2 shaft seals and sealant