

AC axial fan

sickled blades (S series)

with guard grille for short nozzle



Nominal data

Type	S4E400-AQ12-57	
Motor	M4E074-DF	
Phase		1~
Nominal voltage	VAC	230
Frequency	Hz	50
Type of data definition		fa
Valid for approval / standard		CE
Speed	min ⁻¹	1400
Power input	W	150
Current draw	A	0.66
Motor capacitor	μF	5
Capacitor voltage	VDB	400
Max. back pressure	Pa	70
Min. ambient temperature	°C	-40
Max. ambient temperature	°C	40

ml = Max. load · me = Max. efficiency · fa = Running at free air · cs = Customer specs · cu = Customer unit
Subject to alterations

Data according to ErP directive

Installation category	A
Efficiency category	Static
Variable speed drive	No
Specific ratio*	1.00

* Specific ratio = $1 + p_{fs} / 100\,000 \text{ Pa}$

		Actual	Request 2013	Request 2015
Overall efficiency η_{es}	%	29	25	29
Efficiency grade N		40	36	40
Power input P_e	kW	0.18		
Air flow q_v	m ³ /h	2790		
Pressure increase p_{fs}	Pa	70		
Speed n	min ⁻¹	1335		

Data definition with optimum efficiency. LU-33842
The ErP data is determined using a motor-impeller combination in a standardised measurement configuration.



AC axial fan

sickled blades (S series)
with guard grille for short nozzle

Technical features

Mass	5.63 kg
Size	400 mm
Surface of rotor	Coated in black
Material of terminal box	ABS plastic
Material of blades	Sheet steel, coated in black
Number of blades	5
Direction of air flow	"V"
Direction of rotation	Counter-clockwise, seen on rotor
Type of protection	IP 44; Depending on installation and position as per EN 60034-5
Insulation class	"B"
Humidity class	F2-2
Max. permissible ambient motor temp. (transp./ storage)	+ 70 °C
Min. permissible ambient motor temp. (transp./storage)	- 40 °C
Mounting position	Shaft horizontal or rotor on bottom; rotor on top on request
Condensate discharge holes	Rotor-side
Operation mode	S1
Motor bearing	Ball bearing with anti-freezing grease
Touch current acc. IEC 60990 (measuring network Fig. 4, TN system)	< 0.75 mA
Electrical leads	Via terminal box, integrated capacitor connected via terminal box
Motor protection	Thermal overload protector (TOP) wired internally
Cable exit	Variable
Protection class	I (if protective earth is connected by customer)
Product conforming to standard	EN 60335-1; CE

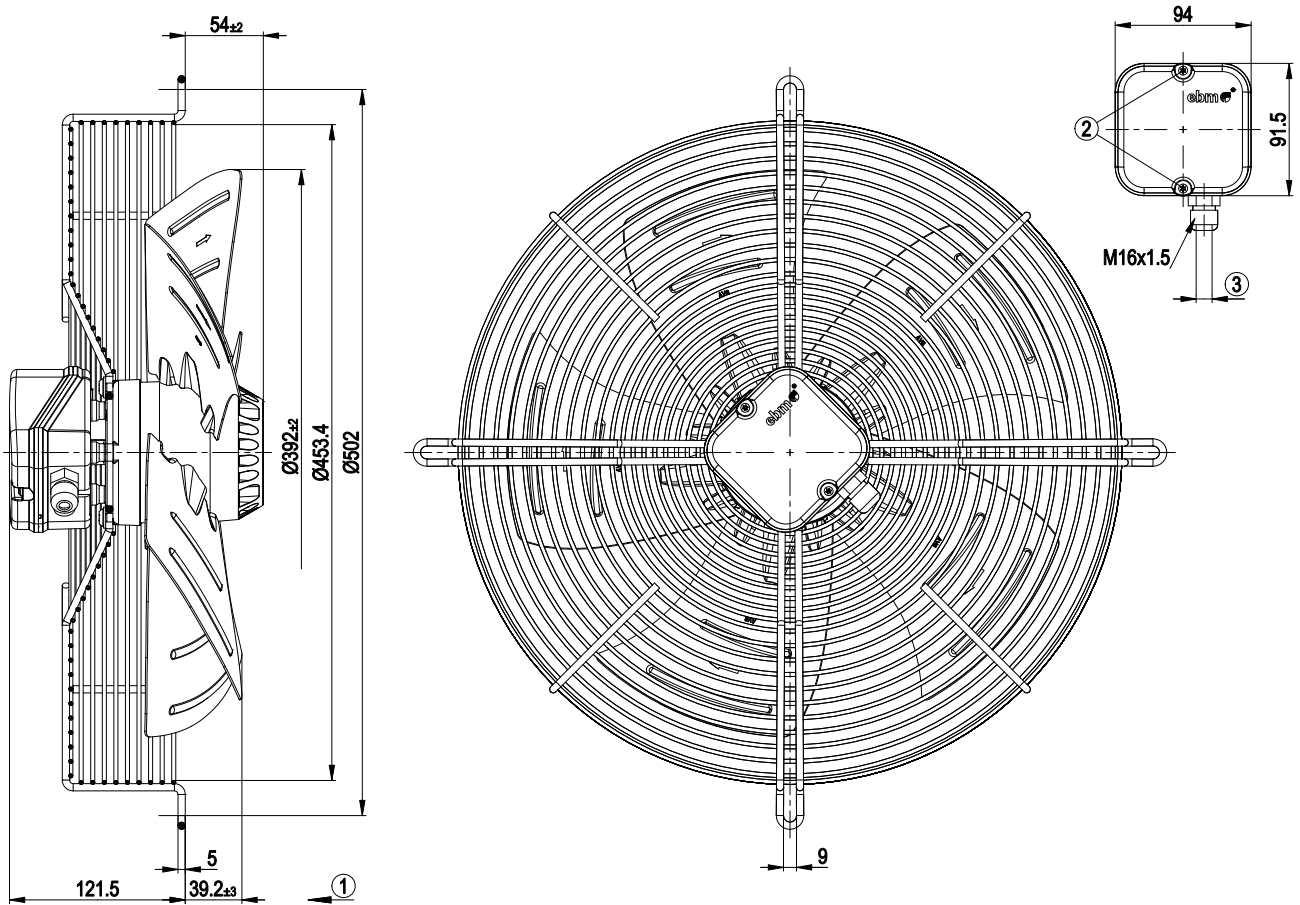
S4E400-AQ12-57

AC axial fan

sickled blades (S series)

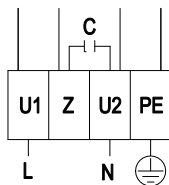
with guard grille for short nozzle

Product drawing



- | | |
|---|---|
| 1 | Direction of air flow "V" |
| 2 | Tightening torque 0.5±0.1 Nm |
| 3 | Cable diameter: max. 7.5 mm, tightening torque 1.3±0.2 Nm |

Connection screen



L	= U1 = blue	Z	brown	N	= U2 = black
PE	green/yellow				

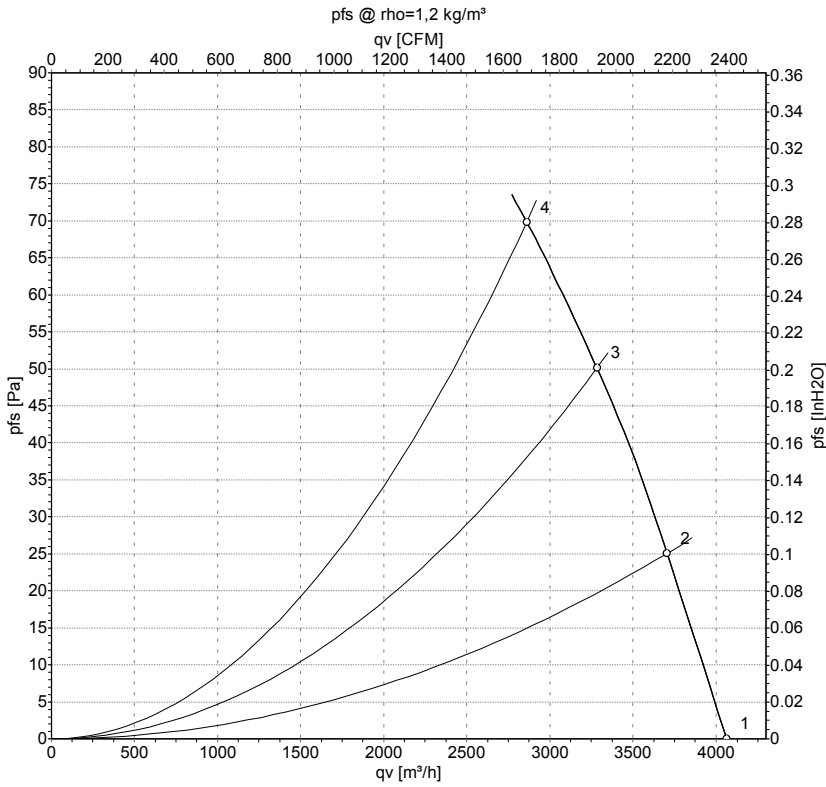


AC axial fan

sickled blades (S series)

with guard grille for short nozzle

Charts: Air flow 50 Hz



Measurement: LU-33842

Air performance measured as per ISO 5801 Installation category A. For detailed information on the measuring set-up, please contact ebm-papst. Suction-side noise levels: LwA measured as per ISO 13347 / LpA measured with 1m distance to fan axis. The values given are valid under the measuring conditions mentioned above and may vary according to the actual installation situation. With any deviation from the standard set-up, the specific values have to be checked and reviewed with the unit installed.

Measured values

	U	f	n	P _e	I	qv	P _{fs}
	V	Hz	min ⁻¹	W	A	m³/h	Pa
1	230	50	1400	150	0.66	4065	0
2	230	50	1385	158	0.69	3705	25
3	230	50	1360	171	0.75	3285	50
4	230	50	1340	184	0.80	2860	70

U = Supply voltage · f = Frequency · n = Speed · P_e = Power input · I = Current draw · qv = Air flow · P_{fs} = Pressure increase

