

Position switch BC-PSI 422

09.02.2011 subject to change without notice

Description

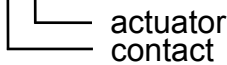
Position switch Type BC-PSI 422 is characterised by a high robustness of the body (diecasting) and the actuator (stainless steel). Because of a huge range of actuators, plungers and contacts, the position switch can be utilised in almost any situation, e.g. a typical task is the control of assembly lines.

- Stainless steel actuators
- Switching with snap action and slow action for precise switching
- Usable in an array of temperatures from -20°C up to +60°C (Dust up to +70°C)
- On demand available with stainless steel housing
- Metrical insertion M20
- Standard: quick release contact 5 (1 NO + 1 NC)

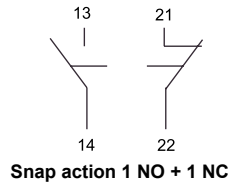


Product key:

BC-PSI 422.*.**



actuator contact



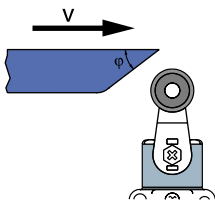
Specifications

Ambient temperature: -20°C to +70°C
 Protection type: IP 67 (EN 60529)
 Connection: Metrical M20
 Design: DIN 50041
 Materials: Body: Diecasting
 Actuators: Synthetics / stainless steel

Mining:
 Chemistry:
 Certificate:

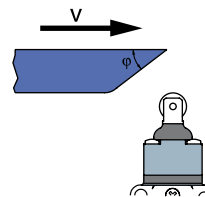
Ex I M2 Ex ia I Mb
 Ex II 2G Ex ia IIC T6 Gb
 DMT 02 ATEX E 124

BC-PSI 422.*.31



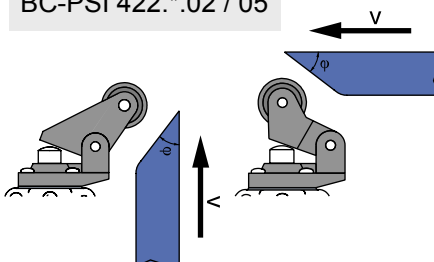
ϕ	Vmax (m/s)	Vmin (mm/s) [L]	Vmin (mm/s) [R]
15°	2,5	9	0,07
30°	1,5	8	
45°	1	7	
60°	0,75	7	

BC-PSI 422.*.15



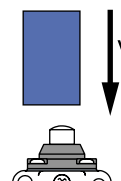
ϕ	Vmax (m/s)	Vmin (mm/s) [L]	Vmin (mm/s) [R]
15°	1	4	0,04
30°	0,5	2	0,02
45°	0,3	1	0,01

BC-PSI 422.*.02 / 05



ϕ	Vmax (m/s)	Vmin (mm/s) [L]	Vmin (mm/s) [R]
15°	1	5	0,05
30°	0,5	2,5	0,025
45°	0,3	1,5	0,015

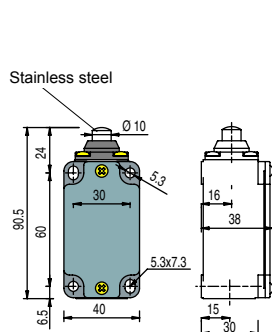
BC-PSI 422.*.31



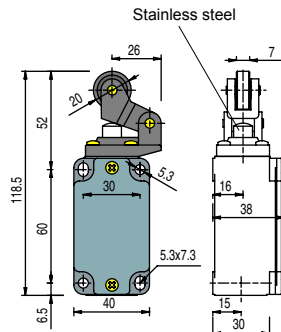
Vmax (m/s)	Vmin (mm/s) [L]	Vmin (mm/s) [R]
0,5	1	0,01

[R] snap action [L] slow action

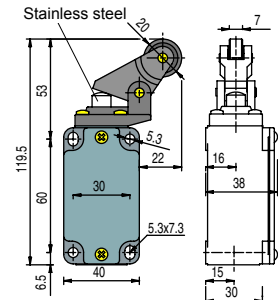
Actuators available for ATEX position switch BC-PSI 422 (samples)



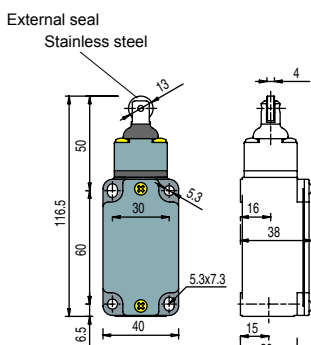
BC-PS* 422.*01



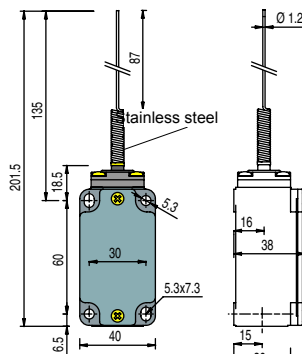
BC-PS* 422.*02



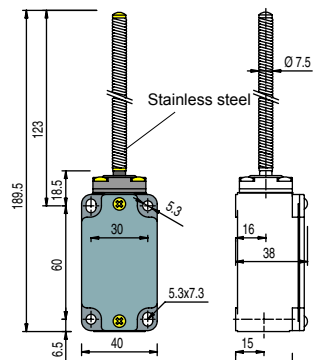
BC-PS* 422.*05



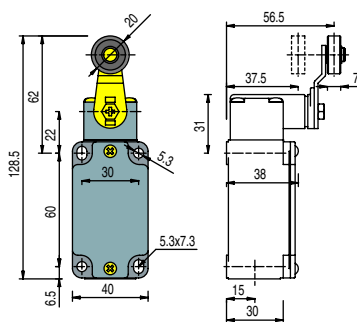
BC-PS* 422.*15



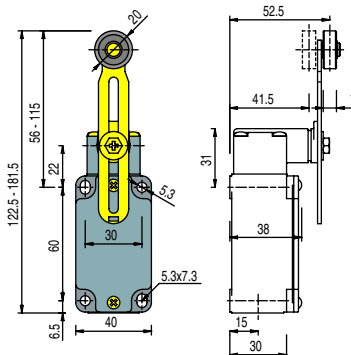
BC-PS* 422.*21



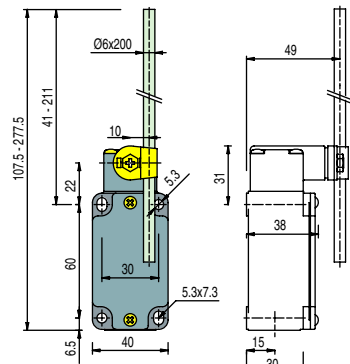
BC-PS* 422.*25



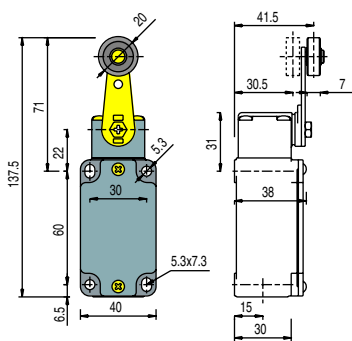
BC-PS* 422.*31



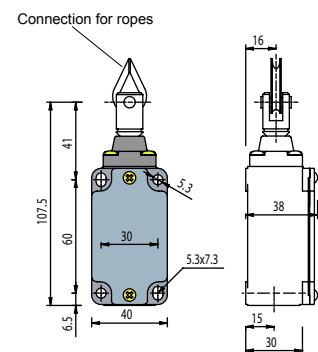
BC-PS* 422.*35



BC-PS* 422.*36



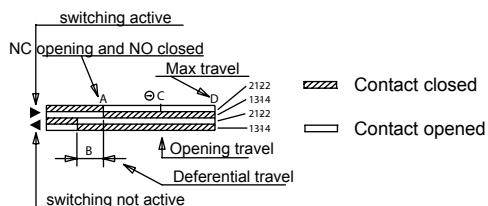
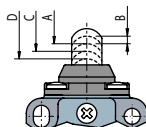
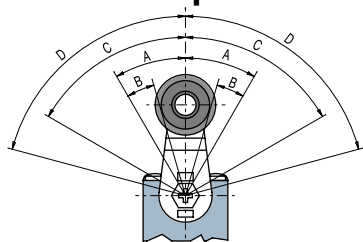
BC-PS* 422.*52



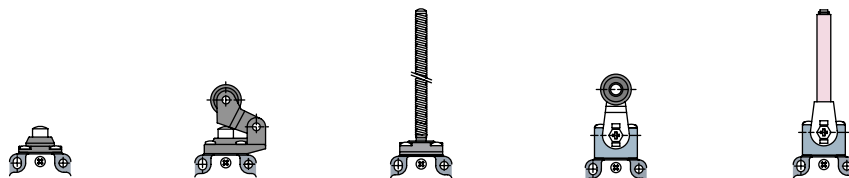
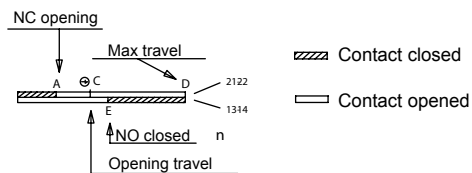
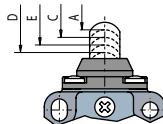
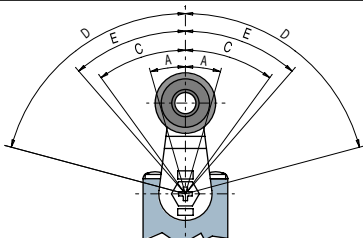
BC-PS* 422.*76

Contactblocks for position switch BC-PSI 422

snap action



slow action



Contact block

5 1NO+1NC						
6 1NO+1NC						
7 1NO+1NC						
9 2NC						
10 2NO						
11 2NC						
12 2NO						
13 2NC						
14 2NC						
15 2NO						
16 2NC						
18 1NO+1NC						
20 1NO+2NC						
21 3NC						
22 2NO+1NC						
33 1NO+1NC						
34 2NC						