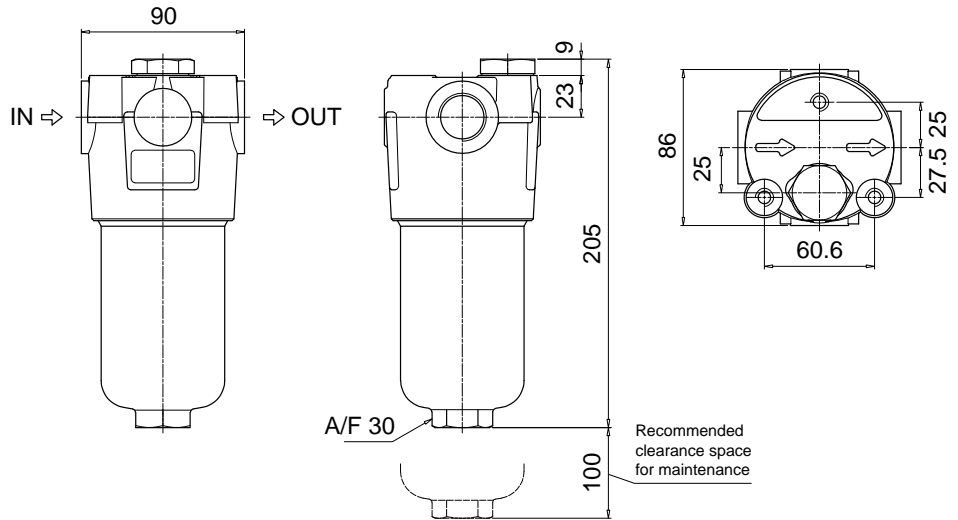
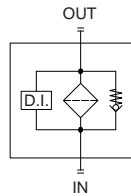


Pressure Line Filter - 3/4" BSP

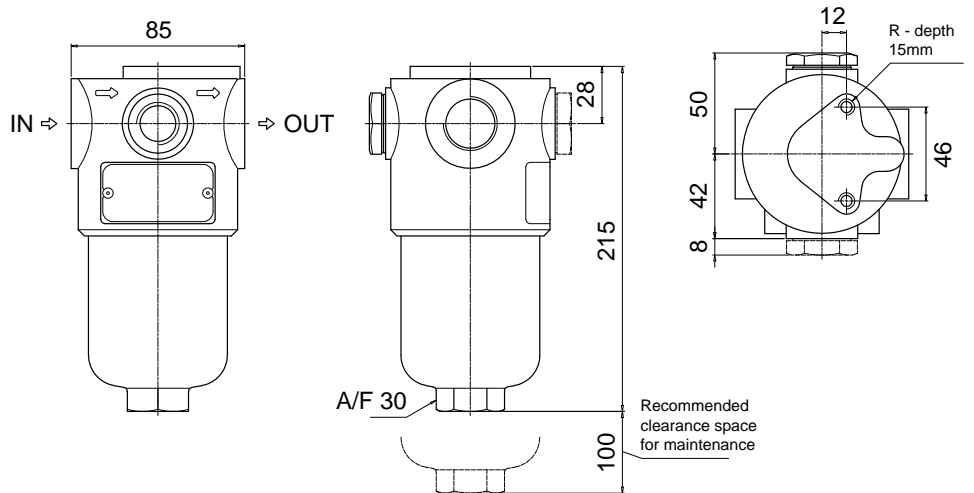
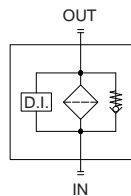
Design: In-line filter
 Working pressure: Maximum 420 bar
 Filter element material: Glass fibre
 Seals: NBR
 Mounting: Vertical
 Flow rate: 125 lpm
 Filter fineness: 25µm



FILTER MATERIAL		INLET PORT	OUTLET PORT	FLOW RATE	SPARE ELEMENT	PART NUMBER
MICRONS	TYPE					
25	Glass fibre	3/4" BSP	3/4" BSP	125 lpm	HP0502A25ANP01	FMM0502BADA25NP01

Pressure Line Filter - 1" BSP

Design: In-line filter
 Working pressure: Maximum 320 bar
 Filter element material: Glass fibre
 Seals: NBR
 Mounting: Vertical
 Flow rate: 112 lpm
 Filter fineness: 10µm



FILTER MATERIAL		INLET PORT	OUTLET PORT	FLOW RATE	SPARE ELEMENT	PART NUMBER
MICRONS	TYPE					
10	Glass fibre	1" BSP	1" BSP	112 lpm	HP1351A10ANP01	FMP1351BAG2A10NP01