

BRUSHLESS MOTOR 095 FM

Unimotor FM 095U3B300CACAA100190



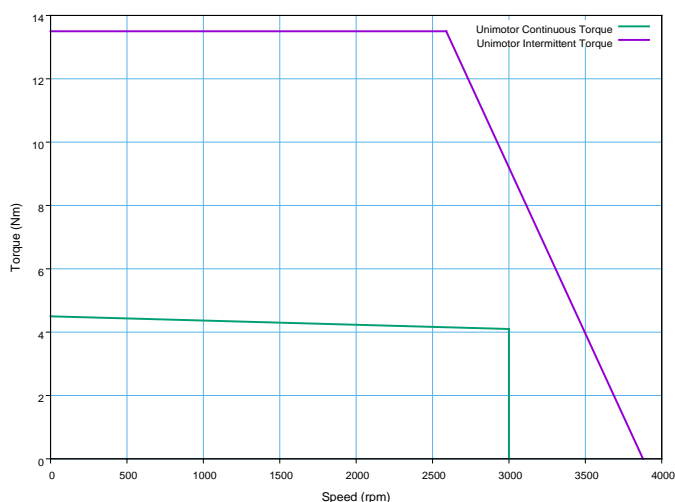
Definition

Type	Unimotor FM	
Frame Size (mm)	095	
Voltage	U	U - 400V
Magnet type	3	3 - Standard
Frame Length	B	
Speed (min-1)	30	3000
Brake	0	0 - Not fitted
Connection type	C	C - Power 90° rotatable and Signal vertical
Output shaft	A A - Key	
Feedback device code	CA	CA - 4096 ppr Incremental encoder
Inertia & thermistor	A A - Standard + PTC thermistor	
PCD	100 100 (FF 100 / 80)	
Shaft Diameter	190 19j6 x 40.0 .	
Fan box	-	
Insulation class	F	
UL Motor / UL Stator	UL Motor / UL Stator	

Nominal characteristics

Motor Ambient Temperature (°C)	40	Drive Fsw (kHz)	12
Motor Stall Torque (N.m)	4.50	Stall Current (A)	2.80
Rated Torque (N.m)	4.10	Nominal Current (A)	2.6
Motor Peak Torque (N.m)	13.50	I max (A)	8.44
Rated Power (kW)	1.29	Kt (Nm/A)	1.60
Winding Thermal Time Constant (s)	82	Ke (V/kmin-1)	98.00
Number of Poles	6	R (ph-ph) (Ohm)	8.63
Maximum Cogging (N.m)	0.06	L (ph-ph) (mH)	33.71
Inertia (kg.cm ²)	2.60	Weight (kg)	4.75
Ingress Protection Level (IP)	IP65		

Torque / speed graph



Version V1.340

© Emerson 2014. The information contained in this data-sheet is for guidance only and does not form part of any contract. The accuracy cannot be guaranteed as Emerson have an ongoing process of development and reserve the right to change the specification of their products without notice.

Control Techniques Limited. Registered Office: The Gro, Newtown, Powys SY16 3BE. Registered in England and Wales. Company Reg. No. 01236886.

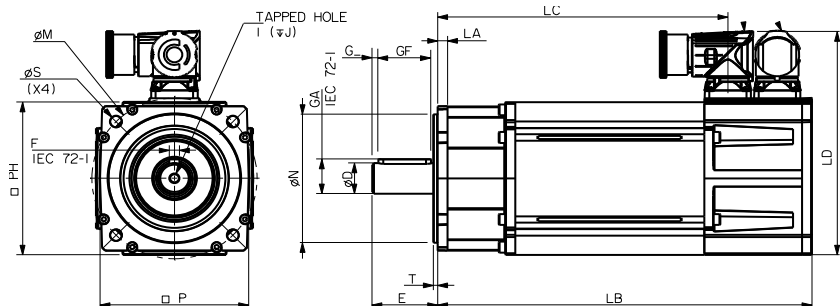
Moteurs Leroy-Somer SAS. Headquarters: Bd Marcellin Leroy, CS 10015, 16915 Angoulême Cedex 9, France. Share Capital: 65 800 512 €, RCS Angoulême 338 567 258.

Data sheet

BRUSHLESS MOTOR 095 FM

Unimotor FM 095U3B300CACAA100190

Motor (° & mm)

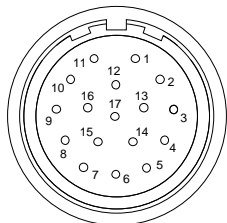


LB	Total length	256.90
LB1	Length with hybrid box	191.60
LC	Power connector position	205.90
LJ	Hybrid box position	191.60
LA	Flange thickness	5.9
T	Register Length	2.8
N	Register Diameter	80.0
LD	Power connector overall height	141.50
LD1	Signal connector overall height	123.80
P	Flange Square	90.0
S	Fixing Hole Diameter	7.0
M	Fixing hole PCD	100
PH	Motor Housing Width	95
D	Shaft Diameter	19j6
E	Shaft Length	40.0
GA	Key Height	21.5
GF	Key Length	32.0
G	Key to Shaft End	3.6
F	Key Width	6
I	Tapped Hole Thread Size	M6x1
J	Tapped Hole Depth	17.0
	Mounting Bolt	M8

Motor electrical interface

Feedback device code : CA - 4096 ppr Incremental encoder

Connection type : C - Power 90° rotatable and Signal vertical



- | | |
|---------|------------|
| 1 - CTP | 10 - A |
| 2 - CTP | 11 - Z |
| 3 - - | 12 - Z/ |
| 4 - U | 13 - A/ |
| 5 - U/ | 14 - B |
| 6 - V | 15 - B/ |
| 7 - V/ | 16 - Power |
| 8 - W | 17 - 0V |
| 9 - W/ | Screen |

