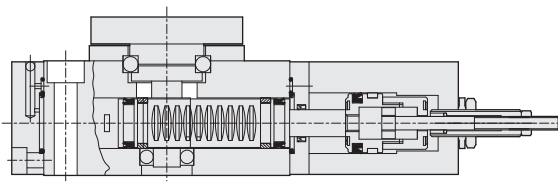
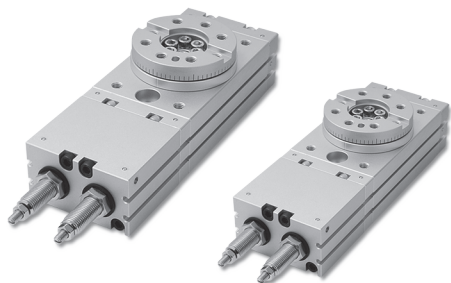


RTZB series 3-Position Rotary Table

Product features

CHELIC

Internal structure



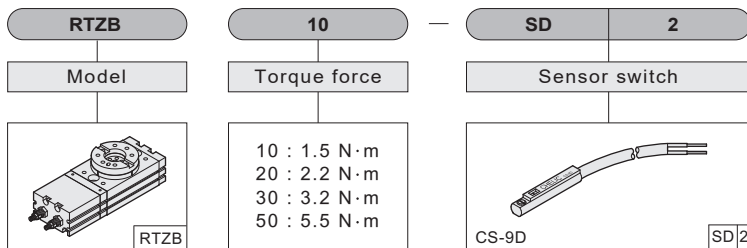
Specification

Item	Model (mm)	10	20	30	50
Action		Double acting			
Fluid		Air			
Torque force	N · m	1.5	2.2	3.2	5.5
Bore size	mm	Ø15	Ø18	Ø20	Ø25
Rotation angle	°	180			
Adjustment angle	°	10			
Port size		M5x0.8P			
Pressure range	Kgf/cm ² (kPa)	1.5~7 (150~700)			
Ambient and fluid temperature	°C	0~50			
Allowable kinetic energy	J	0.007	0.025	0.048	0.081

Weight

Model	RTZB10	RTZB20	RTZB30	RTZB50
Weight	730g	1350g	1730g	2660g

Code of order



[SD]: Sensor switch mark (CS-9D)
 [SB]: Sensor switch mark (CS-9B)
 [SH]: Sensor switch mark (CS-9H)
 [SDN]: Sensor switch mark (CS-9DNPN)
 [SDP]: Sensor switch mark (CS-9DPNP)
 ※ Use for AC, DC-5~240V

[2]: Number of sensor switch
 1 = 1 PCS
 2 = 2 PCS

RTM

RMF

RTB

RTBM

RTZB

RTP

RTH

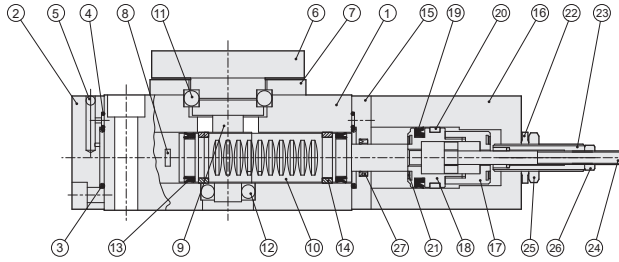
RTU

RTZB series 3-Position Rotary Table

Product features

CHELIC

Internal structure



Components and material list

No.	Item	Material	No.	Item	Material
01	Body	Aluminum alloy	15	Plate	Aluminum alloy
02	Rear cover	Aluminum alloy	16	Front cover	Aluminum alloy
03	Rear cover O-ring	NBR	17	Position sleeve	Aluminum alloy
04	Vent O-ring	NBR	18	Position piston	Aluminum alloy
05	Stainless ball	Stainless steel	19	Position piston packing	NBR
06	Dial scale	Aluminum alloy	20	Wear ring	Teflon
07	Bearing cap	Aluminum alloy	21	Cushion gasket	Rubber
08	Magnet	Rare earth metal	22	Adjustment bolt packing	NBR
09	Gear shaft	Alloy steel	23	Adjustment bolt	Low-carbon steel
10	Gear	Stainless steel	24	Adjustment rod	Low-carbon steel
11	Bearing	Alloy steel	25	Nut	Alloy steel
12	Bearing	Alloy steel	26	Nut	Alloy steel
13	Piston packing	NBR	27	Shaft packing	NBR
14	Wear ring	POM			

Packing and O-ring material list

Item	Front cover O-ring	Rear cover O-ring	Vent O-ring	Piston packing
Model	Quantity	2	2	4
RTZB 10	Ø15 x Ø1.45	Ø15 x Ø1.45	Ø2.9 x Ø1	DYP-15
RTZB 20	Ø20 x Ø1.2	Ø20 x Ø1.2	Ø4 x Ø1	DYP-18
RTZB 30	Ø20.8 x Ø2	Ø20.8 x Ø2	Ø4 x Ø1	DYP-20
RTZB 50	Ø25.12 x Ø1.78	Ø25.12 x Ø1.78	Ø4 x Ø1	DYP-25

Allowable load

Bore size	Loding way	(a) ↑ (b) ↓		Allowable torque (N.m)
	Side load (N)	Table load(N)		
		(a)	(b)	
10	78	74	78	2.4
20	147	137	137	4.0
30	196	197	363	5.3
50	314	296	451	9.7

RTZB series 3-Position Rotary Table

Instructions

CHELIC

Rotation direction and Rotation angle

■ Piping way :

1. Work with 2pcs 3-port-2position solenoid valve.
2. Worth with 1pcs 5-port-3position and normal-open solenoid valve.

■ Adjustment angel method:

1. Stop positions are adjusted with the adjusting bolts shown in figure 1.

- ① Adjusting bolts a and b are used for adjusting the center position.
Adjusting bolts c and d are used for adjusting the rotation ends.
- ② Figure 2 show angle ranges adjusted with each adjusting bolt.

2. Adjustment angel sequence

Supply air when adjusting the angle (a low pressure of approx. 2kgf/cm² is recommended)

- ① First adjust both rotation end positions.
 - Apply pressure to ports 1 to adjust adjustment bolt b.
 - Apply pressure to ports 2 to adjust adjustment bolt a.
 - Lock the bolts with fixing nuts after adjustment.
- ② Next, apply pressure to ports 1, 2 to adjust the center position.
 - Loosen the fixing nuts for adjusting bolts c and d.
 - Tighten adjusting bolts c and d almost completely.
 - Follow the appropriate procedure (R or L) shown in Table 1.

Figure 1 Adjusting bolt position

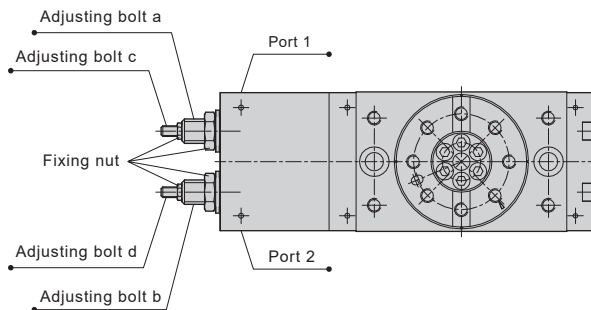


Figure 2 Angle adjustment range

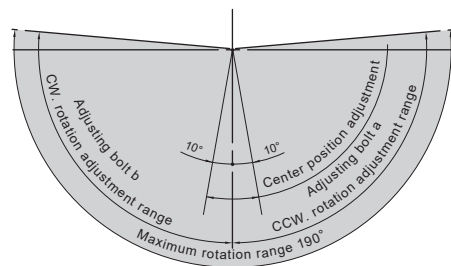


Table 1 Center position adjustment

	R: Clockwise adjustment	L: Counterclockwise adjustment
1	Apply pressure from port 1 and port 2 at the same time, and adjust bolt c and bolt d to outside.	Apply pressure from port 1 and port 2 at the same time, and adjust bolt c and bolt d to outside.
2	Manually rotate the table clockwise until resistance is felt and adjust bolt d inside.	Manually rotate the table counterclockwise until resistance is felt and adjust bolt c inside.
3	Adjusting table and adjust bolt d to ideal angle and lock adjusting bolt d with fix nuts.	Adjusting table and adjust bolt c to ideal angle and lock adjusting bolt c with fix nuts.

- Since the position of the adjusting bolt shifts with changing the screw clearance, pre-tighten the fixing nuts.
- If the table has a rotation backlash after tightening the nut, readjust it.

RTM

RMF

RTB

RTBM

RTZB

RTP

RTH

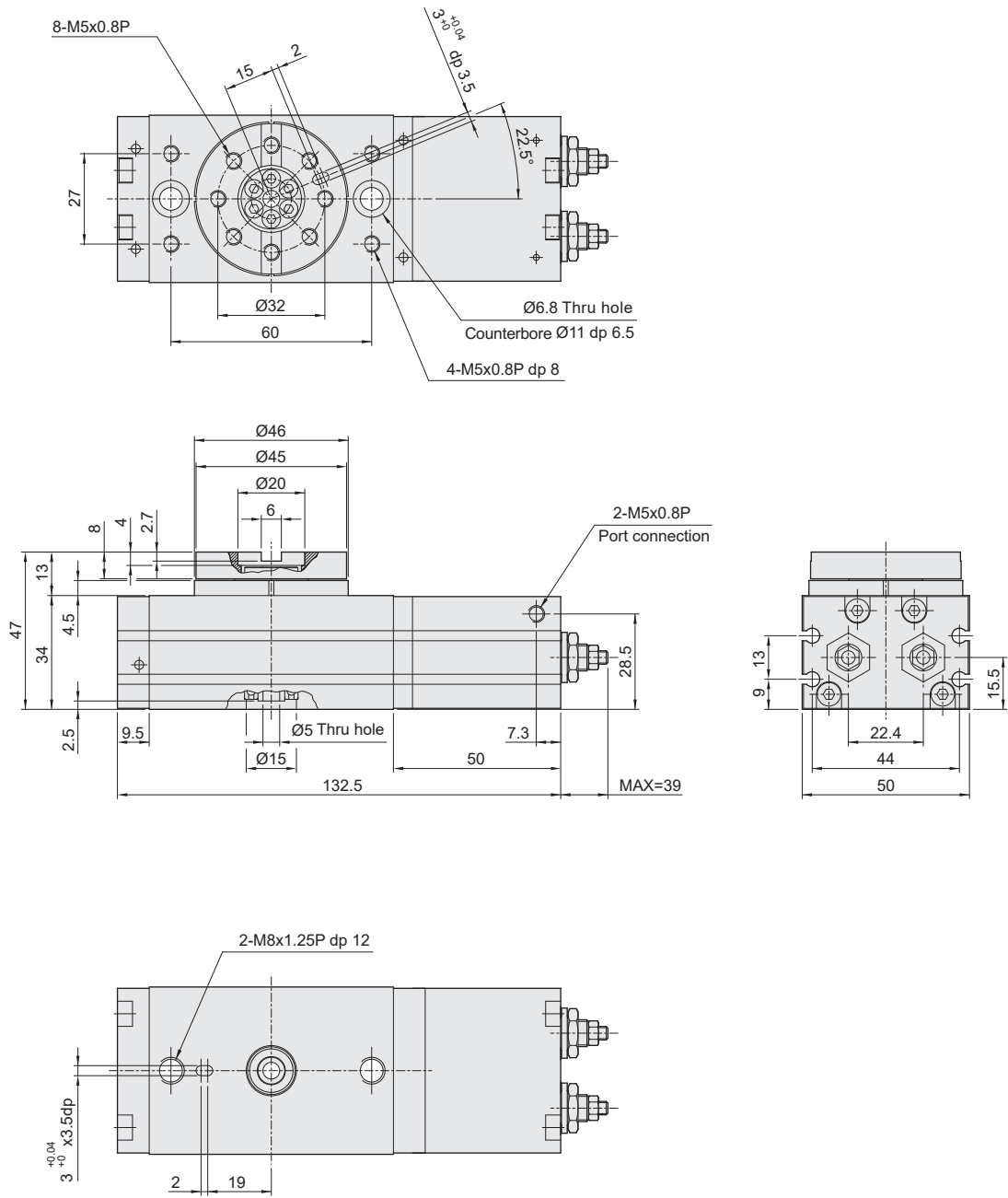
RTU

RTZB series 3-Position Rotary Table

Dimensions

CHELIC

RTZB 10

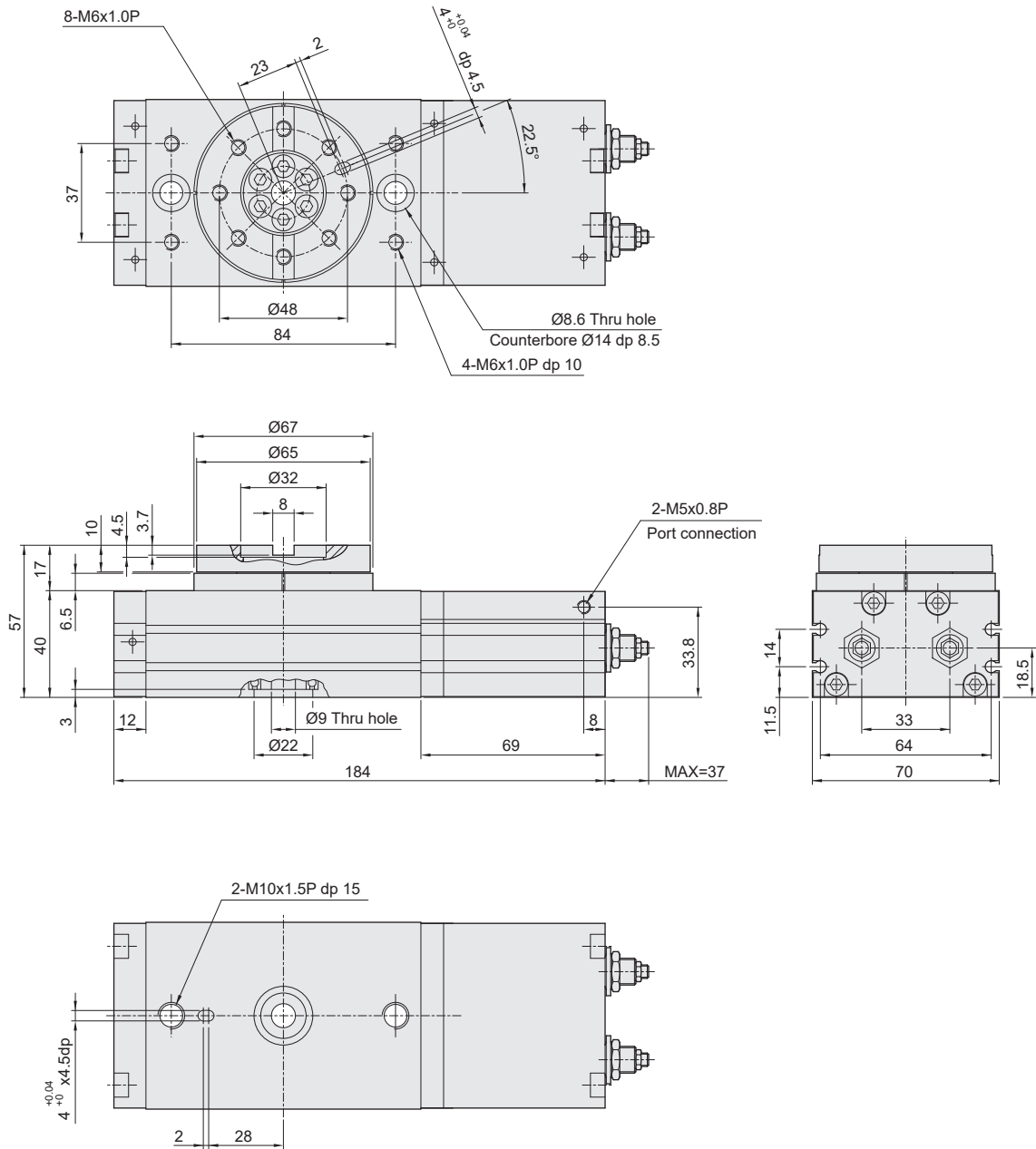


RTZB series 3-Position Rotary Table

Dimensions

CHELIC

RTZB 30

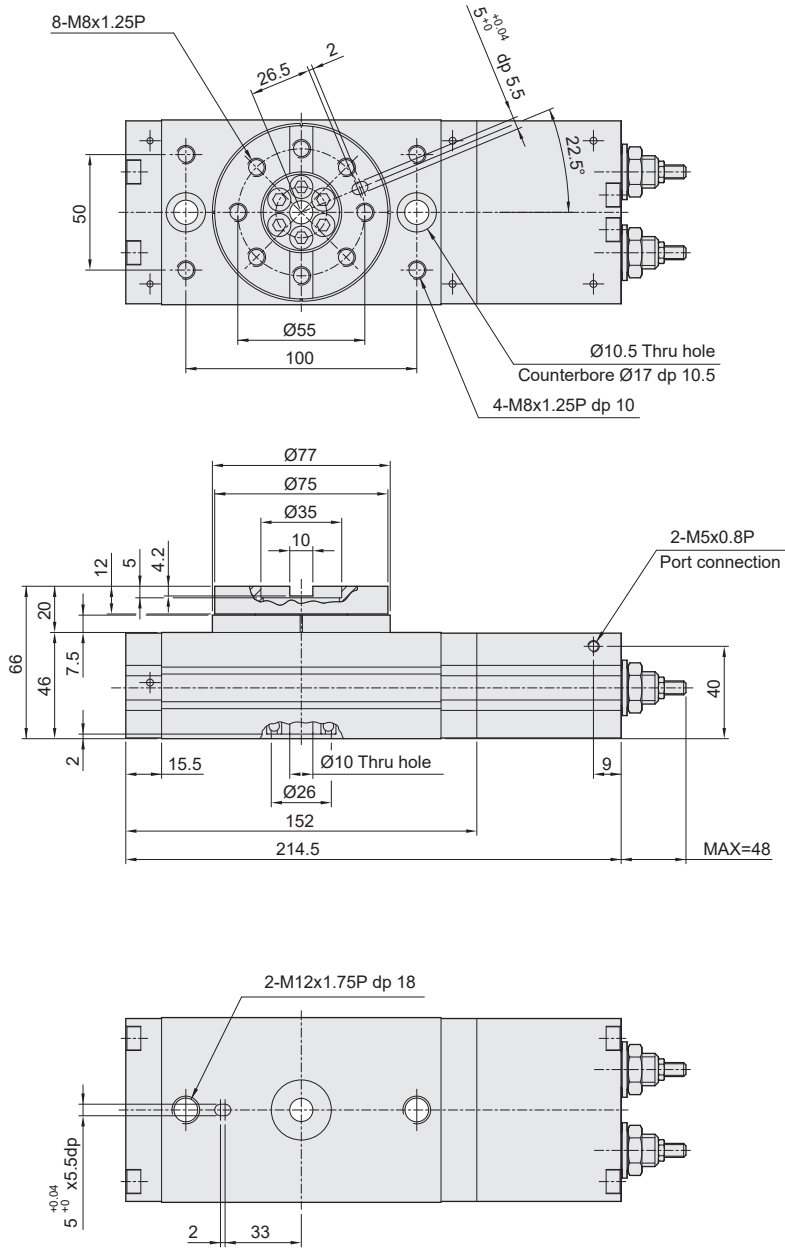


RTZB series 3-Position Rotary Table

Dimensions

CHELIC

RTZB 50



RTM

RMF

RTB

RTBM

RTZB

RTP

RTH

RTU