

Pressure switch BC-DSHB / BC-DSHC ...320 bar

Hydraulic pressure switch for mining and chemistry

Description

The BC-DS pressure switch converts hydraulic signals to electrical signals (up to a max system pressure of 350 bar). The switching point is set at a stepless knob. (For pressure setting range, see specifications).

The product features high functionality, compact design and robustness.

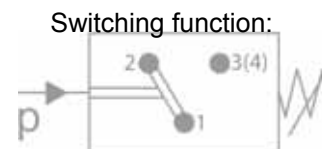
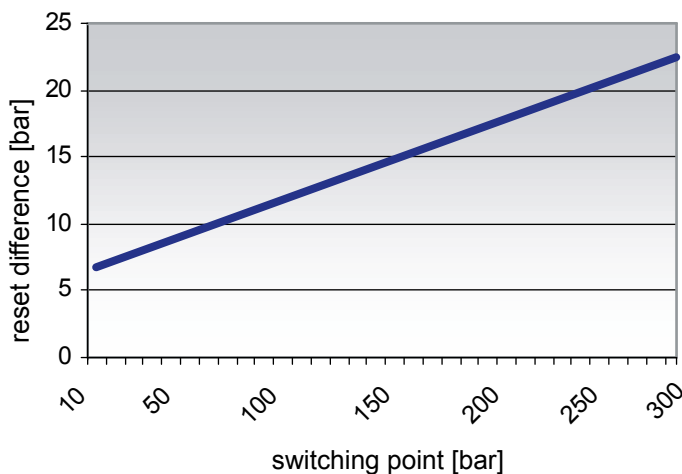
- The switching point is factory-set to the middle of the pressure setting range $\pm 0,5$ bar:
- The product is free of paint-wetting substances.
- nipple design



Specifications

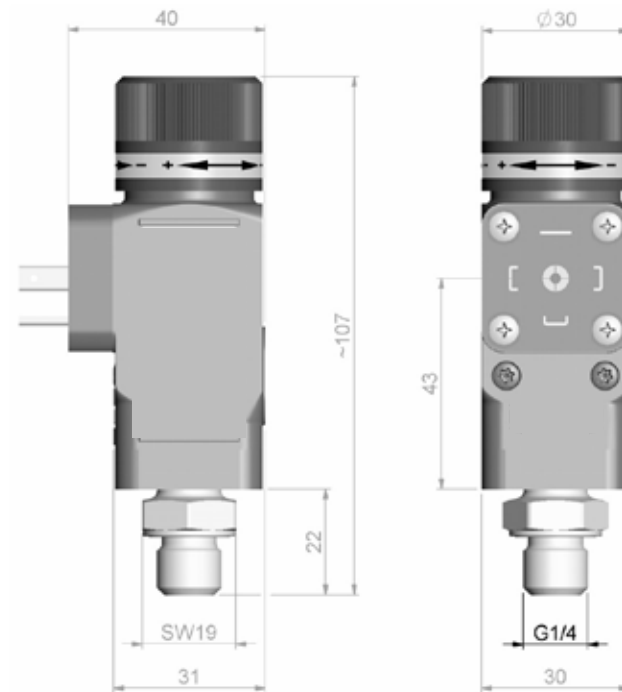
Operating fluid:	hydraulic fluids	
Mechanical mounting.:	2 through holes in housing, \varnothing 5.2 mm diam	
Fluid-mounting:	G1/4, NPT1/4" or flange	
Installation pos.:	Any	
Pressure setting range:	10...30 bar	10...80 bar
	10...120 bar	10...160 bar
	20...200 bar	20...250 bar
	20...320 bar	
Max. Pressure:	350 bar	
Repeat accuracy:	± 3 % of range end value	
Max. operat. cycles:	200/min.	
Temperature range:	-10°C to $+60^{\circ}\text{C}$	
Vibration withstand:	10 g (10...2000 Hz)	
Shockproof:	30 g	

Electrical connection:	Appliance plug, shape A DIN EN 175301-803, ISO 4400
Control element:	Reversing switch with catch spring as contact element with self-cleaning contacts
Material:	Housing: zinc diecasting Seal/diaphragm: NBR
Weight:	0,300 kg
Mining:	Ex I M2 Ex ia I Mb
Chemistry:	Ex II 2G Ex ia IIC T6 Gb
Certificate:	BVS 03 ATEX E 165
Mining:	Ex ia I Mb
Chemistry:	Ex ia IIC T6 Gb
Certificate:	IECEx BVS 11.0056

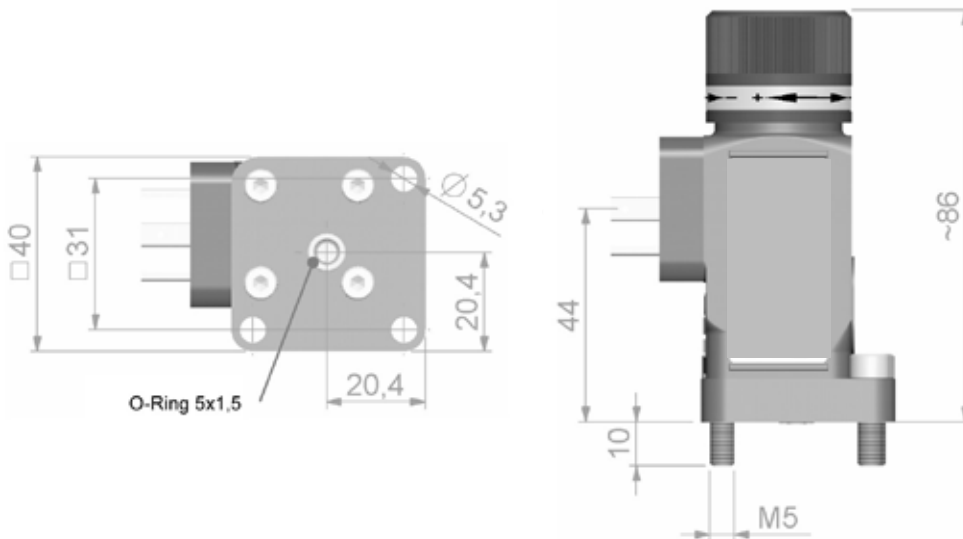


Hydraulic connections in zinc diecasting

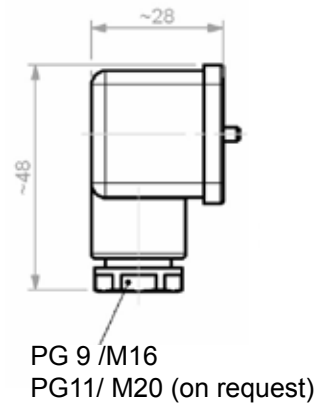
Nipple-edition G 1/4"



Vertical-flange ISO 16873

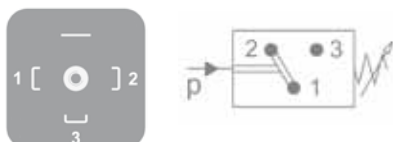


Accessory: Power socket



Switching function

DIN 43650:



Only the German version is legally valid