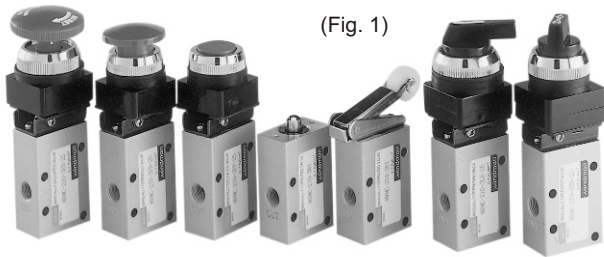


MVMC-210 series

MECHANICAL VALVES



(Fig. 1)

actuator-holder



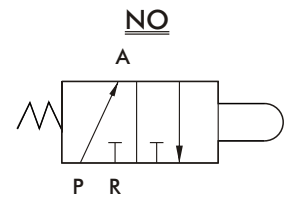
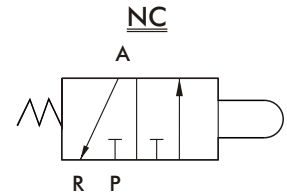
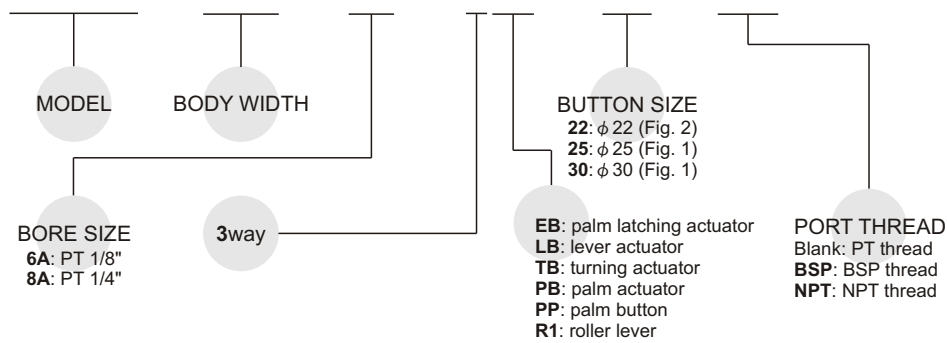
- Only show body and actuator-holder in Fig. 2
- Actuators are exchangeable with the same holder.
- Actuator set or released by one-action.

Specification:

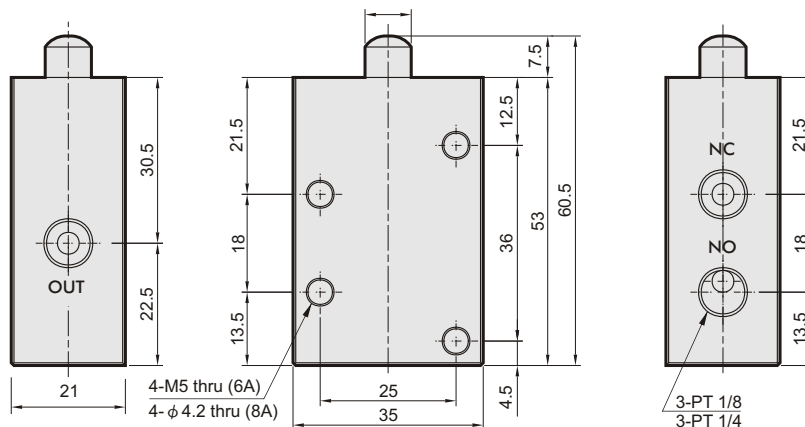
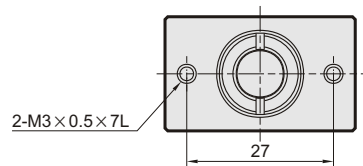
Model	MVMC-210	
Bore No.	6A	8A
Port size	PT 1/8	PT 1/4
No. of port	3	
No. of position	2	
Medium	Air	
Operating pressure range	0~9.9 kgf/cm ²	
Effective orifice	19 mm ²	
Ambient temperature	-5~+60°C (No freezing)	
Weight	155 g	

Order example:

MVMC - 210 - 6A - 3EB - 25 - BSP



MVMC-210-3**

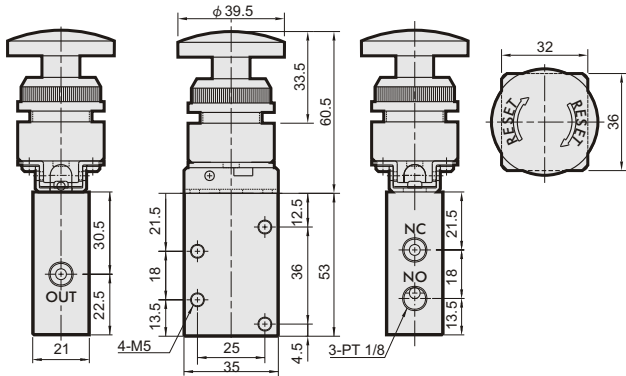


MVMC-210

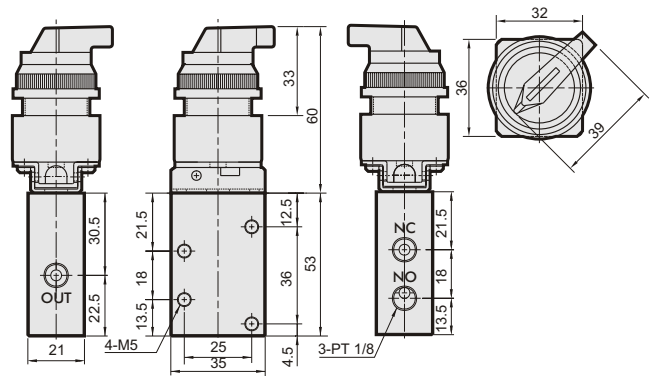
MECHANICAL VALVES



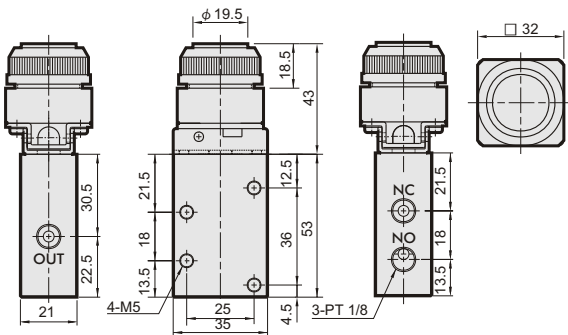
MVMC-210-3EB-25



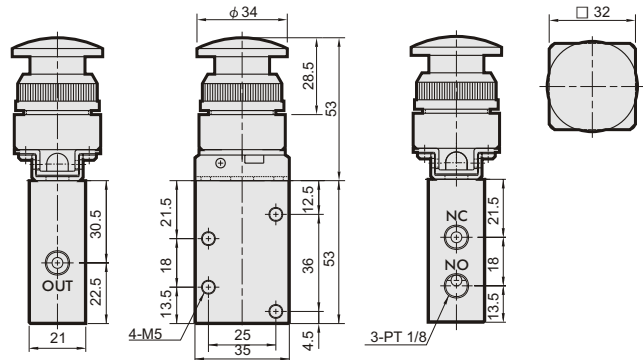
MVMC-210-3LB-25



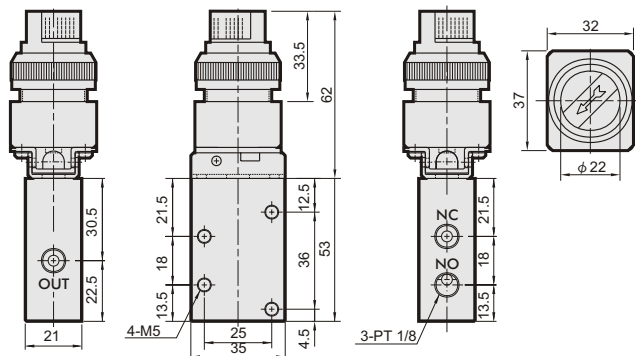
MVMC-210-3PP-25



MVMC-210-3PB-25



MVMC-210-3TB-25



MVMC-210-3R1

