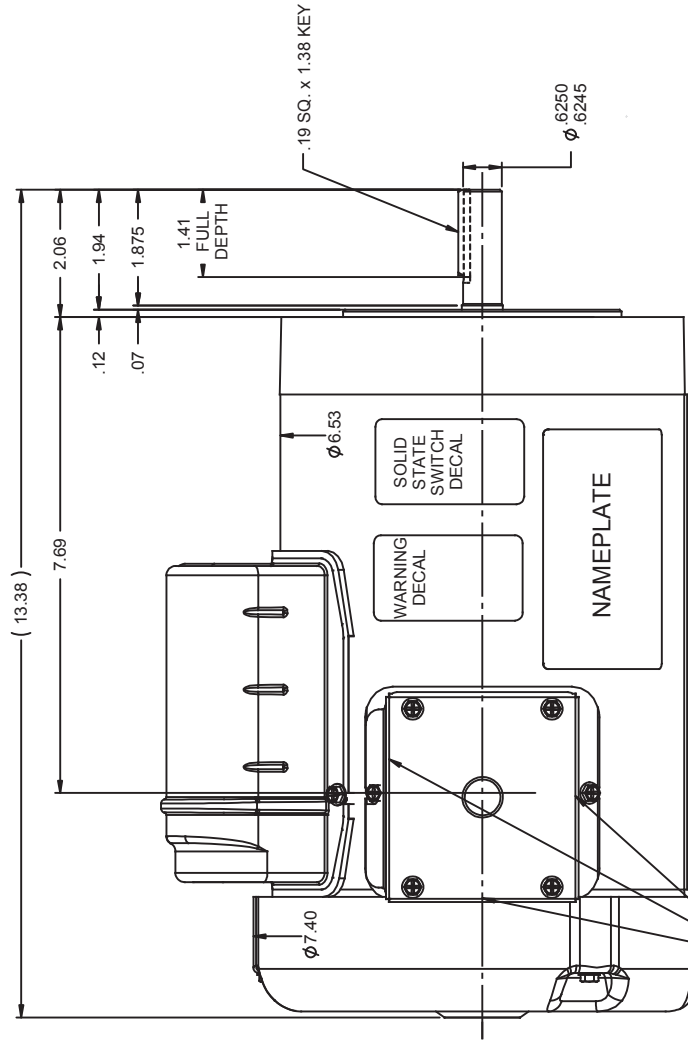
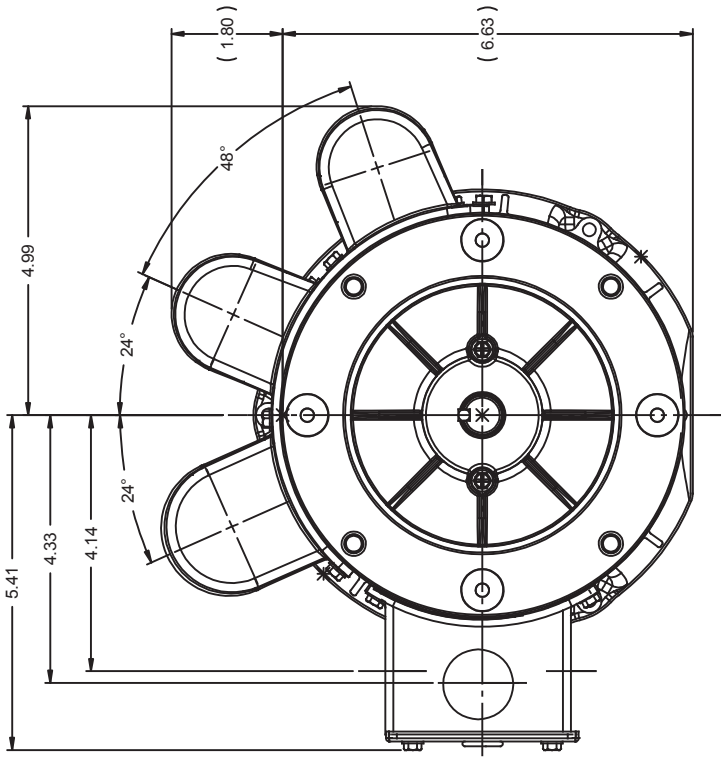


RBC PROPRIETARY AND CONFIDENTIAL INFORMATION
 This document is the property of REGAL BELOIT CORPORATION ("RBC") including its subsidiaries and divisions and contains proprietary information of RBC. This document is loaned on the express condition that neither the information contained therein shall be disclosed, copied, reproduced, or in any way disseminated outside of RBC. This document shall be returned to RBC upon its request. This document may be subject to certain restrictions under U.S. export control laws and regulations.



(3) $\phi .88$
 KNOCKOUTS



NOTE:
 1) GASKETS THROUGHOUT

NO.	REVISION	BY & DATE	CHK LANG	FINISH STANDARD	TOLERANCES UNLESS OTHERWISE SPECIFIED			DRAWN	DLI	12/3/2010	
					UNITS	DEC	INCHES				
06	CHANGED TO 56 REDESIGN				X			DLI	DLI	12/03/10	
05	ADDED 0.5 HOLE TO COND. BOX COVER ISAAC10-0835				X			CHK			
04	ADDED SS SWITCH WARNING DECAL				X			APP			
03	6.50 DIM WAS 8.25. MOVED KNOCKOUTS PER ECR85686				XX	+0.3		SCALE	1:2		
02	ADDED DECALS				XXX	+0.005		REF	OL115338		
01	MODIFIED CAPACITOR CASES				XXXX	+0.005		FMF	115338.00		
NO.								PAGE	1	OF 1	
								REV	REV		
								SIZE	B	DRAWING NO	OL115338
											06



ELECTRIC MOTORS
 GEARMOTORS
 AND DRIVES

TITLE OUTLINE-J56N2 FRAME
 TEFC - "C" FACE
 MATL

BY & DATE

CHK LANG

FINISH STANDARD

NETWORK FILE NAME

PREV

REV