

Bellows suction cups (round)

SABT-C 80 NBR-60 M10-AG

Part no...:10.01.06.01880

<https://www.schmalz.com/10.01.06.01880>

Home > Vacuum Technology for Automation > Vacuum Components > Vacuum Suction Cups > Bellows Suction Cups (Round) > Bellows Suction Cups SABT-C (1.5 Folds) > SABT-C 80 NBR-60 M10-AG

Bellows suction cup (round) for best dynamics on smooth, oily surfaces



Size: 80

Suction cup material: Nitrile rubber NBR

Material hardness [Shore A]: 60 Shore A

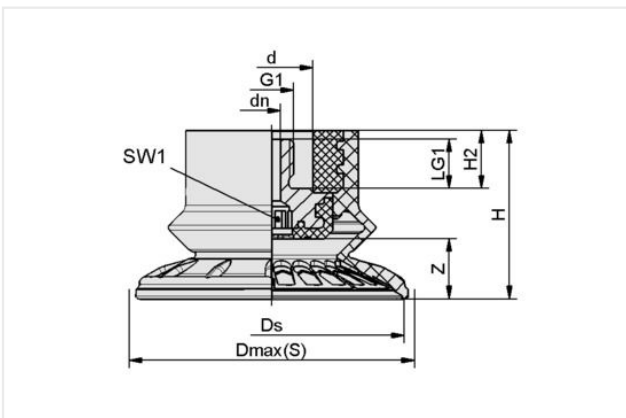
Nipple material: Aluminum

Vacuum connection: M10-M

Number of folds: 1.5

Height H: 39 mm

Design Data



Attribute	Value
d	19 mm
Dmax(S)	86 mm
dn	4 mm
Ds	83 mm
H	39 mm
H2	2 mm
LG1	11.50 mm
SW1	8 mm
Z (Stroke)	14.30 mm
G1	M10-M

Technical Data

Attribute	Value
Number of folds	1.50
Size	80
Suction cup material	Nitrile rubber NBR
Suction force (-600mbar)	135 N
Pull-off force	245 N
Lateral force	172 N
Lateral force (oily surface)	158 N
Volume	54 cm ³

Contact Schmalz

J. Schmalz GmbH | Johannes-Schmalz-Str.1, 72293 Glatten, Germany | +49 7443 2403-102 | customercenter@schmalz.de

Bellows suction cups (round)

SABT-C 80 NBR-60 M10-AG

Part no.:10.01.06.01880

<https://www.schmalz.com/10.01.06.01880>

Curve radius (min) (convex)	100 mm
Hose diameter (empf.) d	6 mm
Product family	SABT-C

Spare parts



SA-NIP N054 M10-AG DN400

Part no.:10.01.01.11942

Thread G1: M10-M

Material: Aluminum



REIB-SCHE 28x9.5 XNBR-45

Part no.:10.01.01.11994

External diameter D: 28 mm

Length L: 9.5 mm

Material: Perbunan XNBR

Bellows suction cups (round)

SABT-C 80 NBR-60 M10-AG

Part no...:10.01.06.01880

<https://www.schmalz.com/10.01.06.01880>



SABT 80 NBR-60

Part no...:10.01.06.01879

Size: 80

Suction cup material: Nitrile rubber NBR

Material hardness [Shore A]: 60 Shore A

Number of folds: 1.5