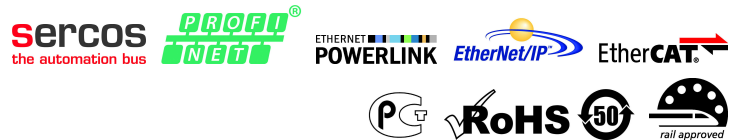
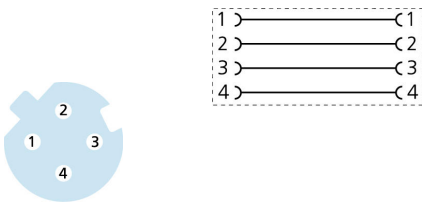
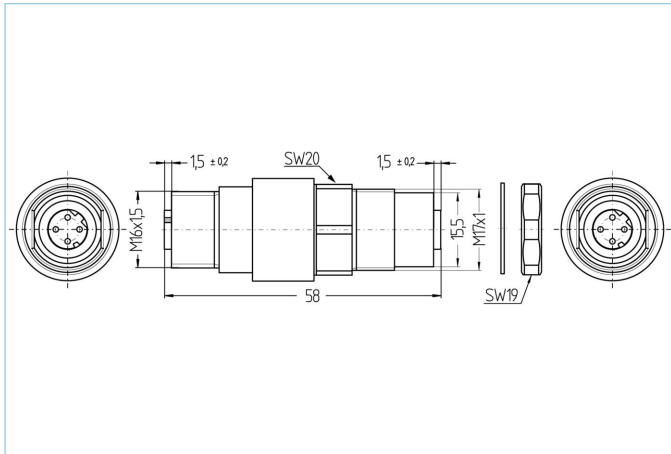


### Adapter, Industrial Ethernet, M12x1 - M12x1, shielded



#### Product data

Item description	IE-WAKSY4-IE-WAKSY4
Item-No.	8065952
Customs tariff-No.	85366990
Step-File	IE-WAKSY4-IE-WAKSY4.stp
EAN	4047106152932

Technical data	A-side	B-side
Connector	female, M12x1, straight	female, M12x1, straight
Number of pins	4	4
Coding of	D	D
Rated voltage	250V	250V
Current load (at 40°C)	4A	4A
Insulation resistance	≥10 <sup>9</sup> Ω	≥10 <sup>9</sup> Ω
Transmission features	Cat5e	Cat5e
Ambient temperature product	-40°C...+85°C	-40°C...+85°C
Contact material	Metal, CuZn, gold-plated	Metal, CuZn, gold-plated
Contact-carrier material	Plastic, PA, GY	Plastic, PA, GY
Coupling nut material	Metal, CuZn, nickel-plated	Metal, CuZn, nickel-plated
Housing material	Zinc die-cast	Zinc die-cast
Shielding	Yes	Yes
Wall thickness area (Δh)	1,0...4,0 mm	
Standards	IEC 61076-2-101	IEC 61076-2-101
Degree of protection (mounted)	IP65, IP67	IP65, IP67
Mechanical life-cycle	>100 mating cycles	>100 mating cycles
Degree of pollution	2	2

### Advanced technical data rail approved

Standards	DIN EN 50155, DIN EN 45545-2
Shock & vibration	Class 1, Category B (DIN EN 61373)
Degree of protection (mounted)	IP67 (-30°C...+90°C), IP65 (-40°C...+90°C)
Temperature range	Tx (-40°C...+90°C)
Fire prevention according to	DIN EN 45545 HL1-3

### Accessories

### Web-Link

Wall bracket for Industrial Ethernet adapter	<a href="https://www.escha.net/en/search?sSearch=8065953">https://www.escha.net/en/search?sSearch=8065953</a>
Safety-stopper, M12x1	<a href="https://www.escha.net/en/search?sSearch=8000004">https://www.escha.net/en/search?sSearch=8000004</a>

### Classification

eCl@ss 6.0	27279201
eCl@ss 7.0	27279201
eCl@ss 8.0	27279201
eCl@ss 9.0	27440106
ETIM 5.0	EC002062
ETIM 6.0	EC002925