

High-pressure gauges



View product: <http://industrial.lukas.com>

Full pressure control.

LUKAS high-pressure gauges are easy to fit to the hand pump using the appropriate high-pressure connector. A clearly laid out display shows the operating pressure in the hydraulic system.

For further information on this product, please contact us directly.

Phone number: + 49 9131 698 468

Fax number: + 49 9131 698 303

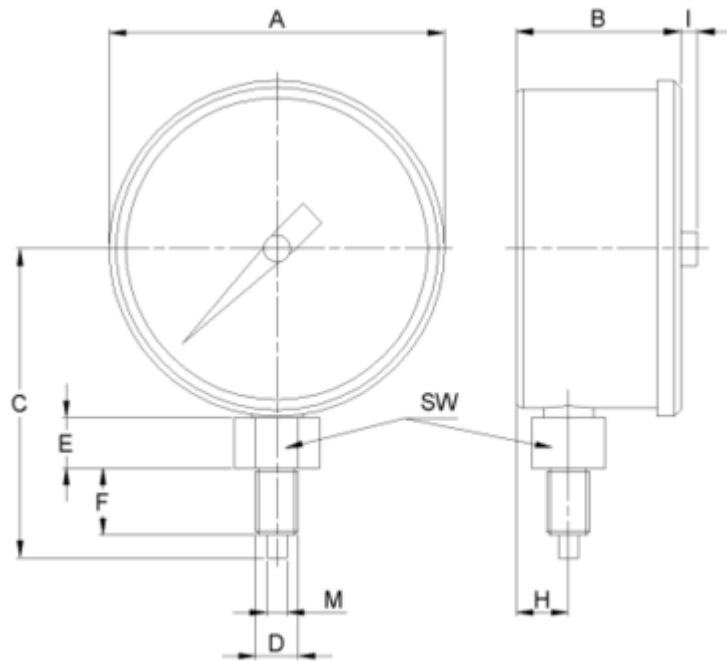
E-mail: lukas.info@idexcorp.com

Find nearest contact:

industrial.lukas.com/Service/Find+a+contact.html

> High-pressure gauges

700 / 1000 Bar



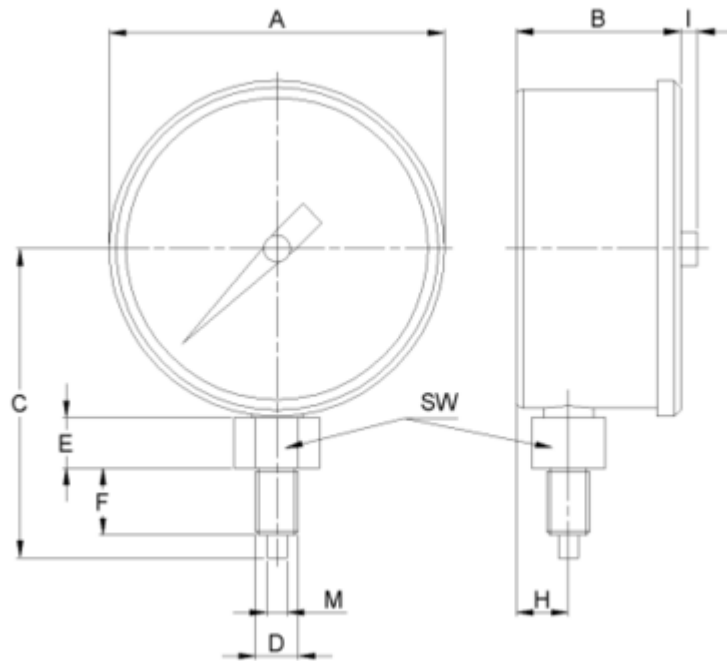
 **High-pressure gauges**

700 / 1000 Bar

type (type)	order no.	layout ()	A (mm)	B (mm)	C (mm)	D (mm)	E (mm)	F (mm)	H (mm)	I (mm)	M (mm)	SW	Max. working pressure (bar)	weight (kg)
M 210	KT 1493 76188	--	100	49	92	G 1/2	15	20	15.5	5	6	22	1000	0.6
M 210/G*	KT 1493 76189	filled with liquid	100	49	92	G 1/2	15	20	15.5	5	6	22	1000	1.2

> High-pressure gauges

1600 Bar



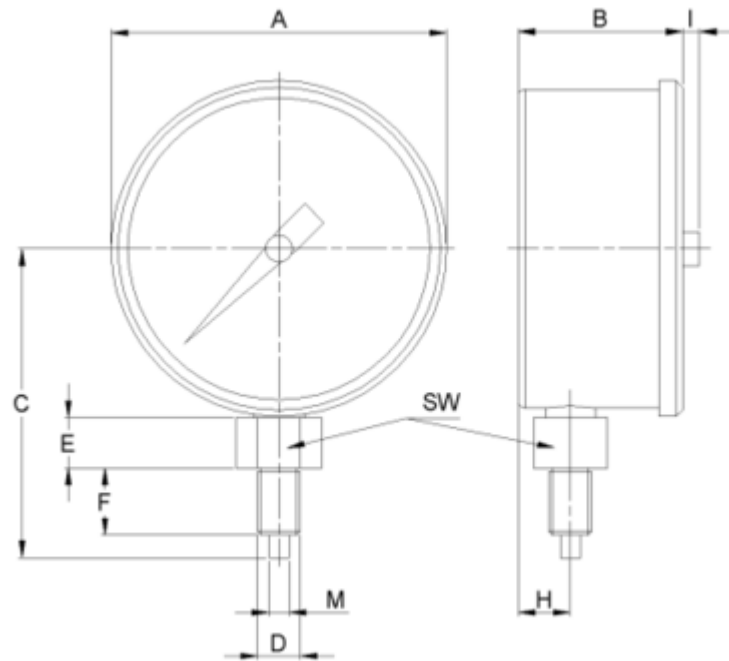
 **High-pressure gauges**

1600 Bar

type (type)	order no.	layout ()	A (mm)	B (mm)	C (mm)	D (mm)	E (mm)	F (mm)	H (mm)	I (mm)	M (mm)	SW	Max. working pressure (bar)	weight (kg)
M 316	KT 1493 76081	-	160	75.5	123	G 1/2	15	20	24	-	6	22	1600	1.6

> High-pressure gauges

2500 Bar



 **High-pressure gauges**

2500 Bar

type (type)	order no.	layout ()	A (mm)	B (mm)	C (mm)	D (mm)	E (mm)	F (mm)	H (mm)	I (mm)	M (mm)	SW	Max. working pressure (bar)	weight (kg)
M 416	KT 1493 76096	-	160	75.5	123	G 1/2	15	20	24	-	6	22	2500	1.6



Germany's finest hydraulics

LUKAS – the name in hydraulic tools.

High-quality hydraulic tools for industrial applications: LUKAS has developed and produced them in Germany since 1948. Wherever you need to move heavy loads, with our products you have a strong partner at your side. Only LUKAS offers these advantages:

German quality

With few exceptions, LUKAS products are developed and manufactured from start to finish in Germany. That is the only way we can maintain our high standard of quality and monitor our entire production chain. Our highly skilled team works with great attention to detail - and is always a step closer to our customers.



The original

In 1948, LUKAS was the first brand to offer high-quality hydraulic tools for industrial applications. Since then our engineers have always kept a step ahead of developments so we can offer the guaranteed best quality.

Unique customer focus

LUKAS is the only manufacturer to offer you customer-oriented direct sales. Our experienced sales team can give you excellent advice because they understand your needs and can offer you tailored solutions.