

Bell suction cup (round)

SAXM 60 ED-85 M14x1.5-AG

Part no...:10.01.19.00032

<https://www.schmalz.com/10.01.19.00032>

Home > Vacuum Technology for Automation > Vacuum Components > Vacuum Suction Cups > Suction Cups for Handling Sheet Metal > Bell-Shaped Suction Cups SAXM > SAXM 60 ED-85 M14x1.5-AG

Bell suction cup (round) for best adaptation to strongly curved surfaces



Size: 60

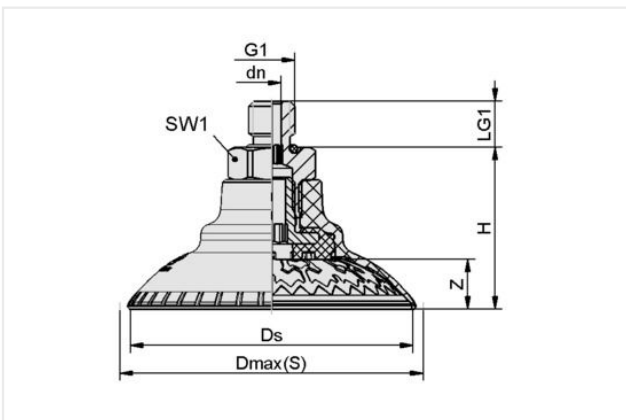
Suction cup material: Elastodur

Material hardness [Shore A]: 85 Shore A

Nipple material: Aluminum

Connection: M14x1.5-AG

Design Data



Attribute	Value
dn	6.10 mm
Dmax(S)	69.70 mm
Ds	61.50 mm
G1	M14x1.5-M
H	35.30 mm
LG1	10 mm
SW1	17 mm
Z (Stroke)	10.90 mm

Note: Acceptable dimensional tolerances for elastomer parts concerning to DIN ISO 3302-1 M3

Technical Data

Attribute	Value
Suction force (-600mbar)	154 N
Lateral force	85 N
Lateral force (oily surface)	155 N
Volume	24.20 cm ³
Curve radius (min) (convex)	30 mm
Hose diameter (empf.) d	6 mm
Size	60

Contact Schmalz

J. Schmalz GmbH | Johannes-Schmalz-Str.1, 72293 Glatten, Germany | +49 7443 2403-102 | customercenter@schmalz.de

Bell suction cup (round)

SAXM 60 ED-85 M14x1.5-AG

Part no...:10.01.19.00032

<https://www.schmalz.com/10.01.19.00032>

Connection	M14x1.5-M
Number of folds	0
Suction cup material	Elastodur
Material hardness [Shore A]	85 Shore A
Weight	31.20 g
Product family	SAXM

Note: Suction force: The specified suction forces are theoretical values at a vacuum of -0.6 bar and with a dry, smooth and flat workpiece surface - they do not include a safety factor Lateral force: The specified lateral forces are values measured at a vacuum of -0.6 bar with a dry or oily, smooth, flat workpiece surface. Depending on the workpiece surface and its quality, the actual values may deviate from these values Hose diameter: The recommended hose diameter refers to a hose length of approx. 2 m

Spare parts



SC-A 055 M14x1.5-AG L

Part no...:10.01.06.02823

Connection geometry: 055

Thread G1: M14x1.5-M

Fitting length: 7.2 mm

Shape: Self Locking



SAXM 60 ED-85 SC055

Part no...:10.01.19.00007

Size: 60

Suction cup material: Elastodur

Material hardness [Shore A]: 85 Shore A

Contact Schmalz

J. Schmalz GmbH | Johannes-Schmalz-Str.1, 72293 Glatten, Germany | +49 7443 2403-102 | customercenter@schmalz.de

Bell suction cup (round)

SAXM 60 ED-85 M14x1.5-AG

Part no...:10.01.19.00032

<https://www.schmalz.com/10.01.19.00032>



SC-S 055 FDC-L

Part no...:10.01.06.02804

Shape: Frict elem with Self lock