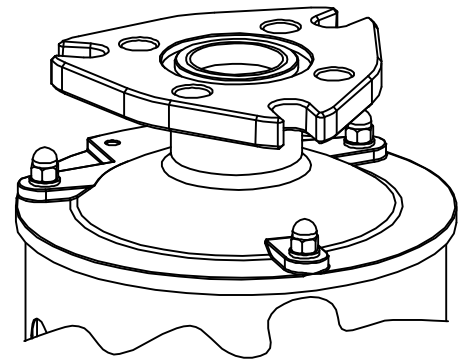
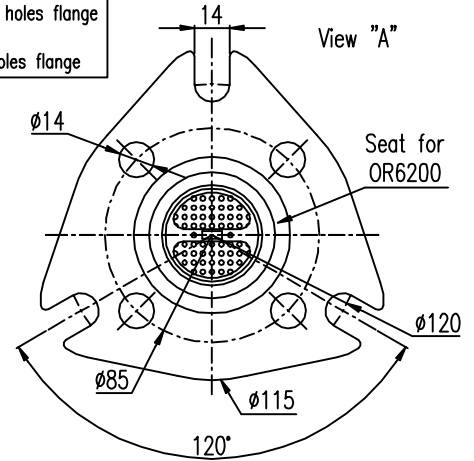


Pos.	Description
1	Top cap
2	Domed nuts M6 DIN1587
3	M6 rod
3.7	Gel container (Glass)
3.9	Gel container (PMMA)
4	Bottom cap
5	Oil cup (transparent glass)
6	Fishing out cylinder
7	Drain hole
8	Data plate
9	Stainless steel frame
10	Oil cup protection
11	Inspection window
12	knurled ferrule
13	Filter plug

Double fixation:  
 - DN25/PN10 4 holes flange  
 or  
 - DIN42562 3 holes flange



▽ Oil level

Type	Transf. oil (Kg)	H (mm)	Gel container material	G.W. Empty (Kg)	Silicagel Q.ty	Vol.
VEP "01"	3500	290	PMMA	3.5	1 Kg	1.35 dm <sup>3</sup>
VEP "07"			Glass			
VEP "29"	10000	495	PMMA	5.5	3 Kg	4.05 dm <sup>3</sup>
VEP "27"			Glass			
VEP "49"	18000	685	PMMA	7.5	5 Kg	6.75 dm <sup>3</sup>
VEP "47"			Glass			

**CEDASPE**

Titolo  
 Traditional single Breathers  
 new "VEP" series

Data 19/05/11

Scala 1:3

Dis.

Visto

Dis. Nr

3482

1	2	3	4		
---	---	---	---	--	--