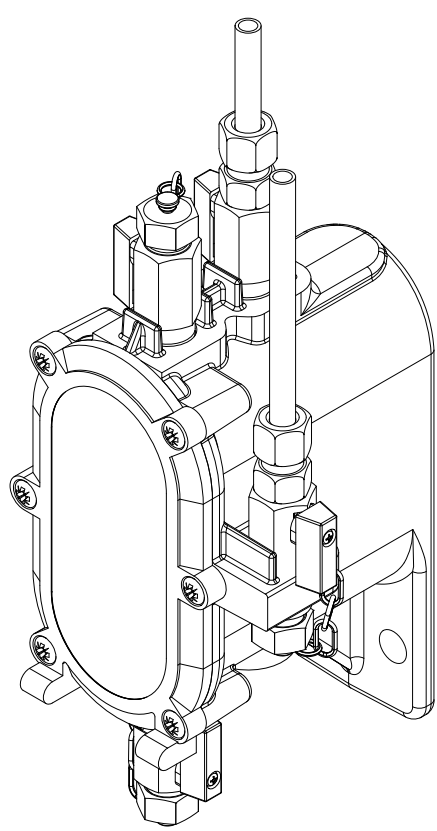


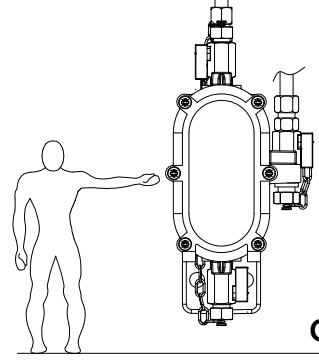
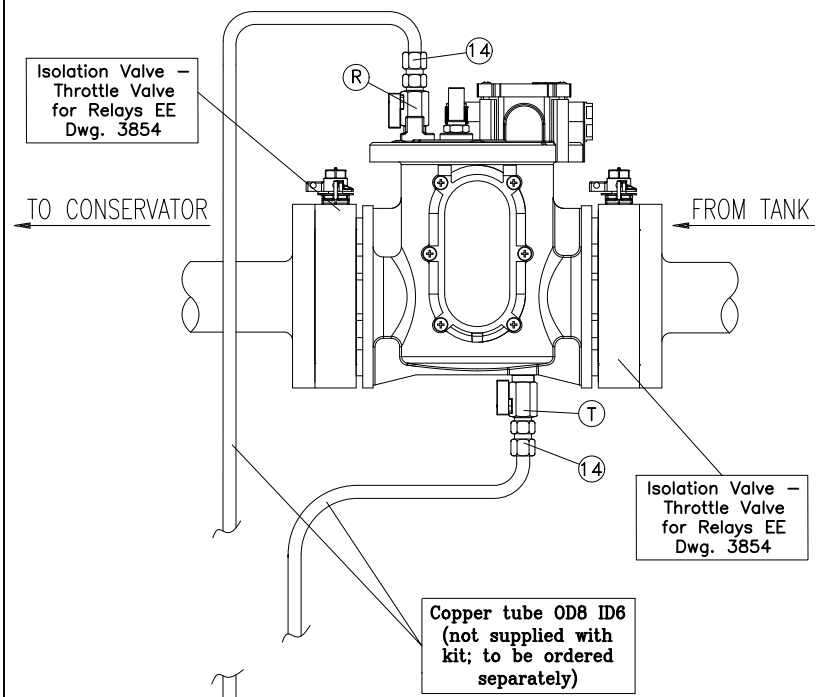
ORDERING CODES		
MODEL	WINDOW MATERIAL	CODE
RG3.3	TEMPERED GLASS	AB9DPG0171

Pos	Description
1	Inspection window
2	Gas release cock
11	Oil drain cock
12	Stop cock
13	Fixing plate
14	Hermeto joint
15	Stop cock

Average weight : ~2.5 Kg



Mounting sketch



Titolo
Gas collecting device
RG3.3
 Suitable for relays series EE2 & EE3

Data 12/04/12
 Scala 1:4
 Dis.
 Visto

Dis. Nr
3619
 6 7 8