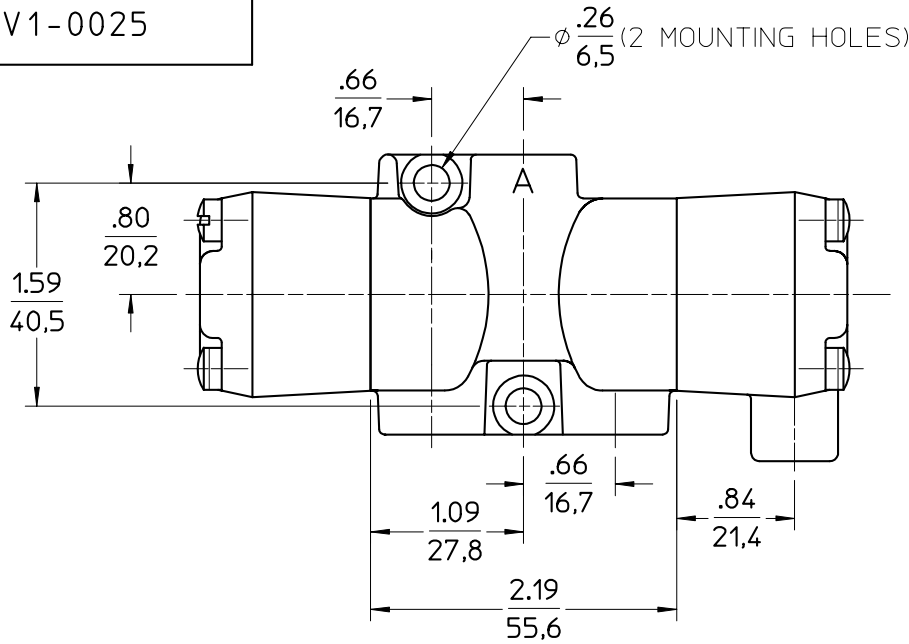
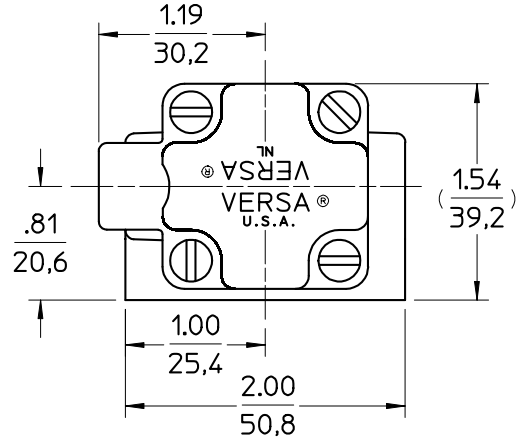
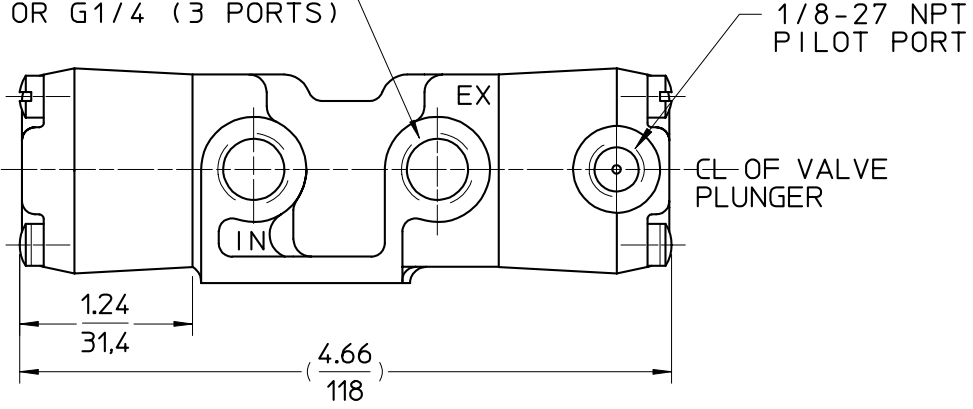


DWG. NO.
GV1-0025

NOTE: TO DESIGNATE PILOT CAP ORIENTATION USE SUFFIX 227(TAB). STANDARD ORIENTATION IS SHOWN (NO SUFFIX REQUIRED).



1/8 NPT OR 1/4 NPT OR G1/8 OR G1/4 (3 PORTS)



IN
mm

DRAWN BY NG 7-15-03	CHECKED BY RGM 7-23-03	ENG APP'D BN 7-23-03	ORIG EWR 12317	TITLE
MATL	SCALE .75:1	NEXT ASSY	DWG SIZE A4	

VALVE ASSEMBLY

UNLESS OTHERWISE SPECIFIED
 WHOLE DIMENSIONS ± 0.25 mm ANGULAR DIMENSIONS ± 1/2°
 DECIMAL DIMENSIONS ± 0.1 mm CORNERS & EDGES ± 0.25 mm
 DIA'S ON SAME CENTERLINE CONCENTRIC WITHIN 0.15 T.I.R.
 MACHINED SURFACES, FINISHED TO 64 R.M.S. MAX.
DO NOT SCALE DRAWING

VERSA PRODUCTS CO., INC.
 PARAMUS N.J., U.S.A.
 VERSA BV, NETHERLANDS

B	NG 1-19-05	UPDATED DRAWING.	12317
	EY 1-20-05		BN 1-20-05
LTR	REVD/CKD BY	DESCRIPTION	EWR NO/APPD BY
REVISION LEVEL			

DWG. NO.
GV1-0025