



Material List

No	Component	Material	Remark
1	Upper shaft sealing nut	WCB	ASTM A216
2	Shaft seal	EPDM	ASTM D2000
3	Body	DI	ASTM A536
4	Upper shaft	SS416	ASTM A582
5	Disc	DI + EPDM	
6	Lower shaft	SS416	ASTM A582
7	Lower shaft sealing nut	WCB	ASTM A216
8	End face seal	EPDM	ASTM D2000
9	Stem bushing (2.5" to 6")	PTFE	ASTM D4894
9	Stem bushing (8")	C95400	ASTM B148
10	Gear Box		

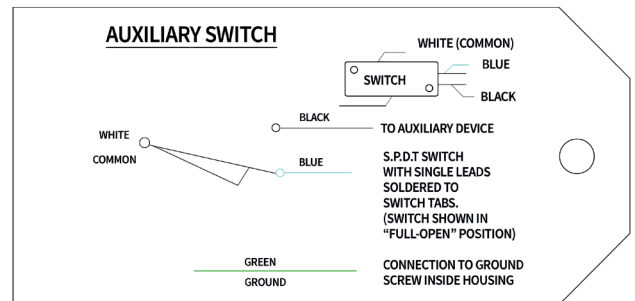
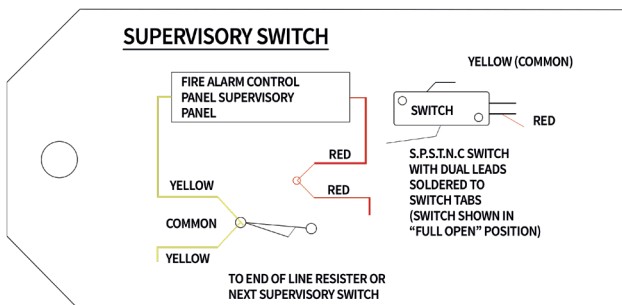
Carried Standard

Max Working Pressure:	300PSI / 21.4 Bar
Design Standard:	API609
Face to Face Standard:	ASME B16.1
Top Flange Standard:	ISO 5211
Test Standard:	API 598

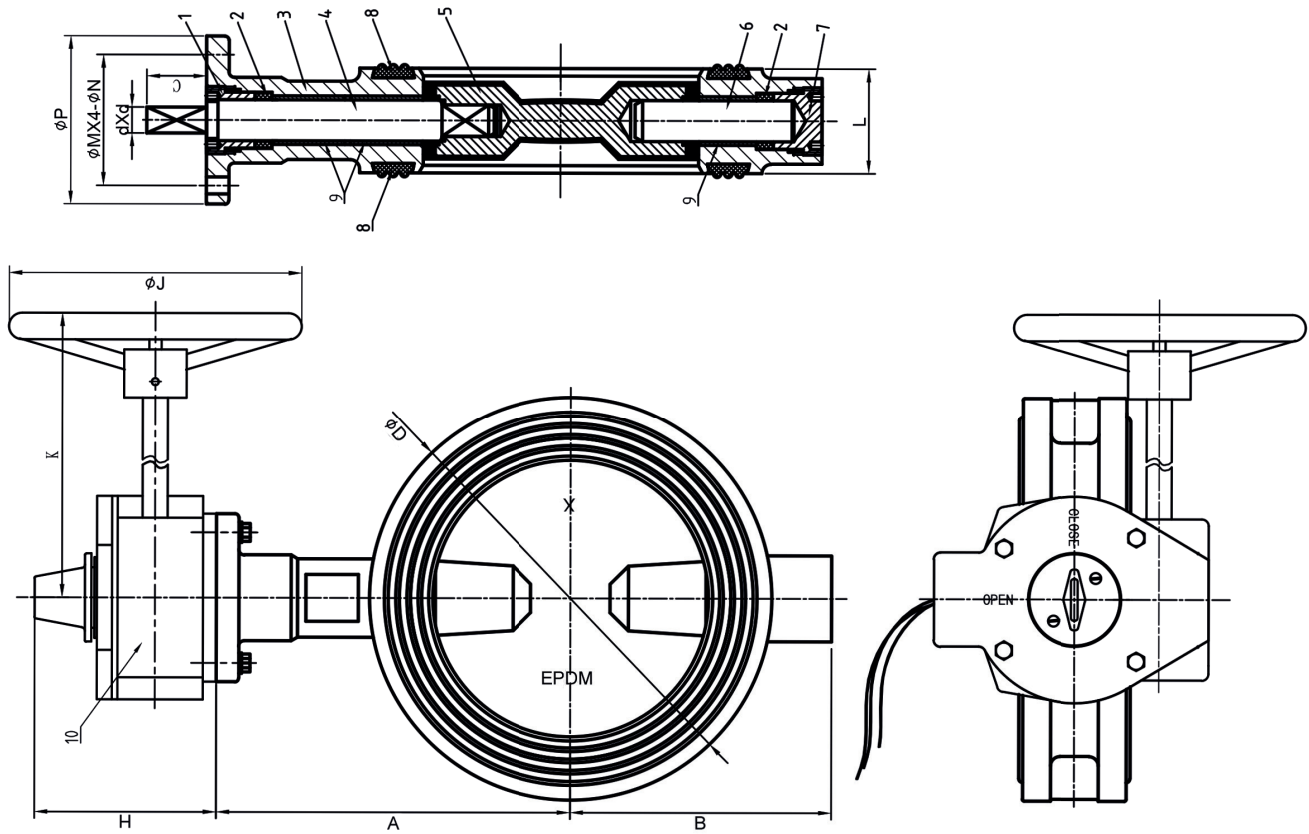


Design and materials are subject to change without notice.

Wiring Diagram



R0044B



Weights & Dimensions mm

Size	A	B	C	D	H	K	J	P	M	N	d	L	Weight (kg)	
2.5"	125	95	32	112	111	153	218	152	90	70	9	10	44.2	8.7
3"	140	100	32	120	111	153	218	152	90	70	9	11	45.3	8.8
4"	160	100	32	161	111	153	218	152	90	70	9	14	52	10.8
6"	190	140	32	216	111	153	218	200	90	70	9	16	55.8	14.6
8"	230	175	32	260	126	210	232	300	125	102	12	19	60.5	26.7

Ordering Information

Description	Size	Part Number
Butterfly Valve FM/UL Wafer 300 PSI (Rasco)	65mm (2.5")	7U99002232
Butterfly Valve FM/UL Wafer 300 PSI (Rasco)	80mm (3")	7U99002233
Butterfly Valve FM/UL Wafer 300 PSI (Rasco)	100mm (4")	7U99002234
Butterfly Valve FM/UL Wafer 300 PSI (Rasco)	165mm (6")	7U99002235
Butterfly Valve FM/UL Wafer 300 PSI (Rasco)	200mm (8")	7U99002236