



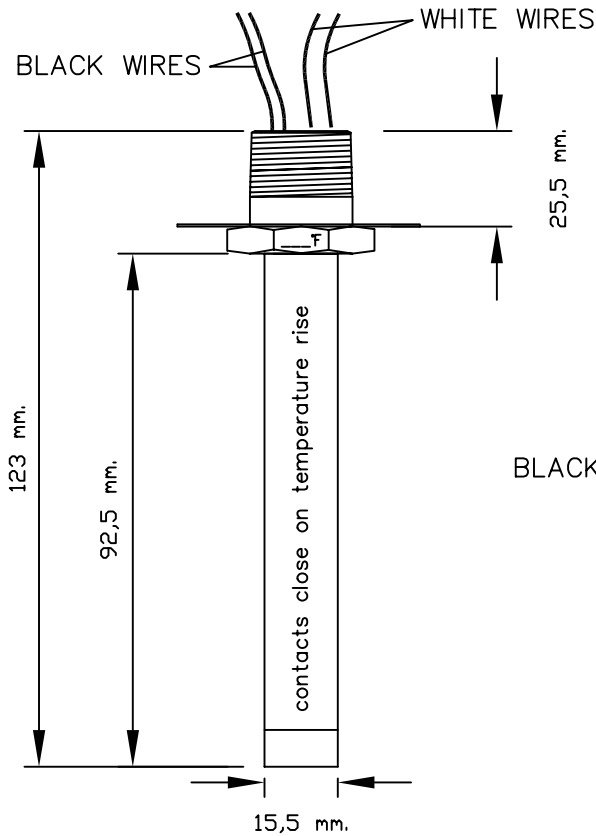
THERMOSTICK
ELETTRONICA

HEAT DETECTORS

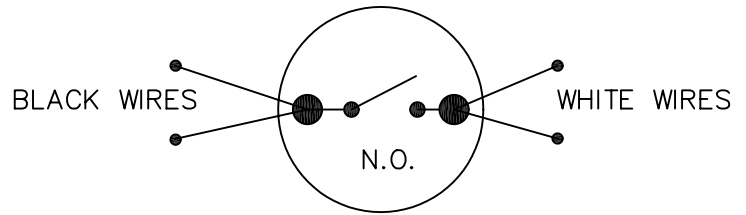
DAF 27121

WIRING DETAILS

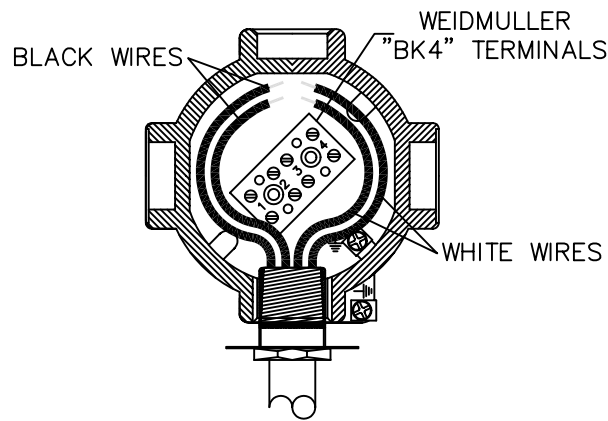
DOC. 399	DATE 29.08.2005		
DIS. M.P.	VER.M.P.	APP. A.V.	
FOGLIO	1	SEGUE	
REV.	0	1	



DAF 12-27121-.....
WIRING CONNECTIONS
(TOP VIEW SIDE)



INTERNAL LAYOUT



WIRING CONNECTION

