

Bellows suction cup (round)

SPB2 40 SI-55 P

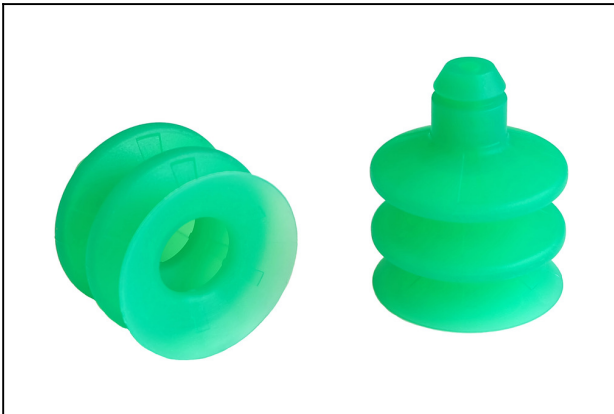
Part no.:10.01.06.03126

<https://www.schmalz.com/10.01.06.03126>

Homepage > Vacuum Technology for Automation > Vacuum Components > Vacuum Suction Cups > Suction Cups for Packaging > Bellows

Suction Cups SPB2 P (2.5 Folds) > SPB2 40 SI-55 P

Bellows suction cup (round) with 2.5 corr. for dynamic handling of cardboard and rigid packaging



Size: 40

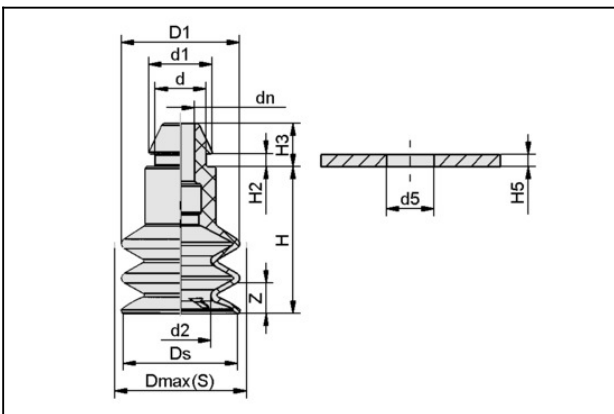
Suction cup material: Silicone SI

Material hardness: 55 °Sh

Number of folds: 2.5

Shape: Push In

Design Data



Attribute	Value
d	12.5 mm
d1	15.7 mm
d2	17.8 mm
d5	11.5 mm
dn	4.6 mm
D1	43.5 mm
Dmax(S)	44.6 mm
Ds	42.7 mm
H	47 mm
H2	2.2 mm
H3	7.2 mm
H5	2 mm

Bellows suction cup (round)

SPB2 40 SI-55 P

Part no.:10.01.06.03126

<https://www.schmalz.com/10.01.06.03126>



Attribute	Value
Z (Stroke)	20 mm

Technical Data

Attribute	Value
Suction force (-600mbar)	14.9 N
Pull-off force	40 N
Volume	22 cm ³
Curve radius (min) (convex)	75 mm
Size	40
Number of folds	2.5
Suction cup material	Silicone SI
Material hardness [Shore A]	55 Shore A
Weight	18.2 g
Product family	SPB2

Note: Suction force: The specified suction forces are theoretical values with a smooth, dry workpiece surface - they do not include safety factors

Accessories

Bellows scution cup (round)

SPB2 40 SI-55 P

Part no.:10.01.06.03126

<https://www.schmalz.com/10.01.06.03126>



FD 34 120

Part no.10.01.06.02572

Filter disc

External diameter D: 34 mm

Filter pore size: 120 µm

for: Bellows suction pad

Size: FG 42



SPI 31 PA SPB2-40

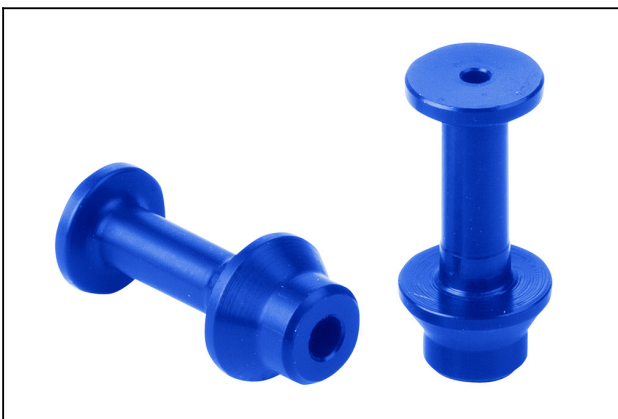
Part no.10.01.06.03925

Suction cup insert for preventing deformation of sensitive workpieces

Size: 31

Material: Polyamide

Application: SPB2-40



SW 100 P 7.3

Part no.10.05.04.00091

Flow resistor for reduction of the volume flow rate

Nominal size: 1.00 mm

Shape: Push In

Length L: 15.5 mm

Material: Polyoxymethylene

External diameter D: 7.3 mm

Bellows scution cup (round)

SPB2 40 SI-55 P

Part no.:10.01.06.03126

<https://www.schmalz.com/10.01.06.03126>



SW 130 P 7.3

Part no.10.05.04.00092

Flow resistor for reduction of the volume flow rate

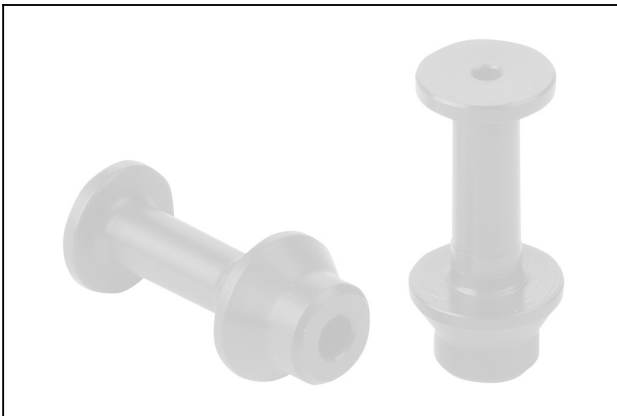
Nominal size: 1.30 mm

Shape: Push In

Length L: 15.5 mm

Material: Polyoxymethylene

External diameter D: 7.3 mm



SW 150 P 7.3

Part no.10.05.04.00093

Flow resistor for reduction of the volume flow rate

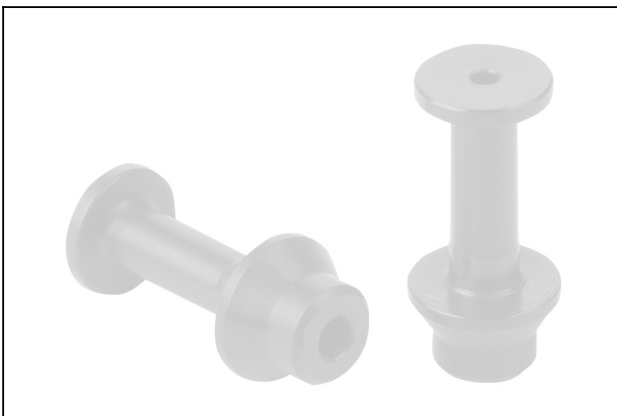
Nominal size: 1.50 mm

Shape: Push In

Length L: 15.5 mm

Material: Polyoxymethylene

External diameter D: 7.3 mm



SW 80 P 7.3

Part no.10.05.04.00090

Flow resistor for reduction of the volume flow rate

Nominal size: 0.80 mm

Shape: Push In

Length L: 15.5 mm

Material: Polyoxymethylene

External diameter D: 7.3 mm