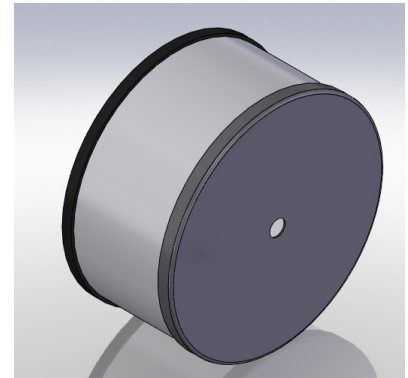


### MISSION

Filter the air sucked by the blower, preventing the entry of particles that could damage the compression chamber.

### CONSTRUCTION

Rigid construction, the filter element is formed by a blanket viledón type PSB/290 S, internally and externally reinforced with welded mesh electro-galvanized.



### CHARACTERISTICS

- Hold up to 90% by weight of particles greater than 40 microns (CLASS EU4)
- Low pressure drop (5 to 300 mm. Ca. S /.-Size)
- High dust holding capacity
- High service life
- Easy to clean with pressurized air, water or detergent solution

#### **POLYESTER BEATING G4 EN 779 (PSB/290 S)**

PSB blankets are nonwovens manufacturing high performance from the polyester fibers.

S PSB/290 blankets are progressive structure with layers of fibers of different diameters arranged one after another, so that the density of the layers is greater on the side of clean air, thereby optimizing its ability to dust and lengthening the life of the filter

The flame behavior, compliance with the requirements of class F1 according to DIN 53438. They are self.

Weight aprox.	300 gr/m <sup>2</sup>
Thickness aprox.	18 mm
Resistance to temperature	Hasta 100 °C
Resistance to moisture	Hasta el 100%

### CONSTRUCTION

For direct installation on standard DIN 2576 flange. With or without filter cap s /. appropriate.

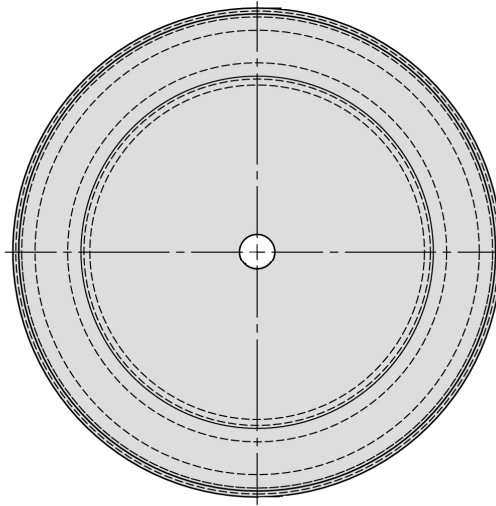
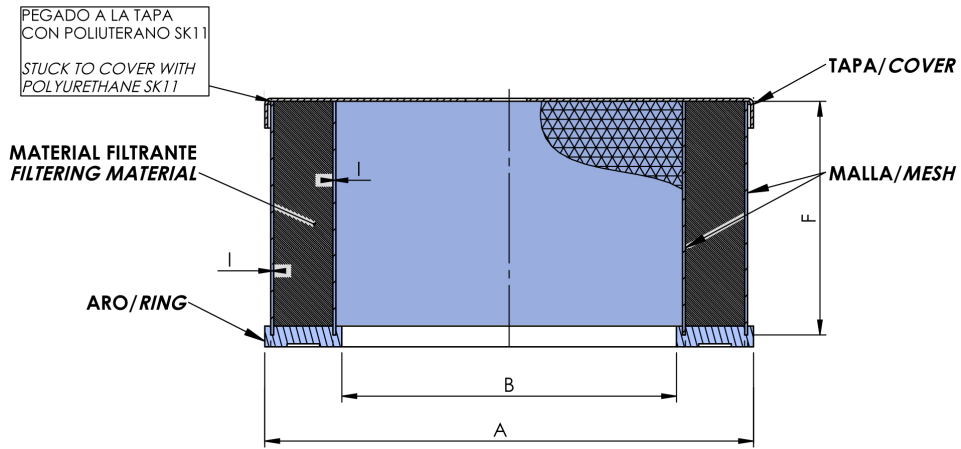
### APPLICATION

Industrial areas of concentration below 100 micrograms/m<sup>3</sup>

### ELECTION

The size is determined by the DN blower with filter, except the size 50 that is determined by the flow.

## DIMENSIONS



FILTER SIZE	LOSS OF LOAD MAX. ALLOWABLE	MAX. FLOW INLET m <sup>3</sup> /min	DN	REPLACEMENT FILTER ELEMENT	WEIGHT FILTER ELEMENT (Kg)	RING		MESH	CODE
						A (mm)	B (mm)	F (mm)	
50	50	5,0	50	164/83	0,45	164	112	82	381.001
80	50	9,2	80	200/120	1,15	198	112	120	381.002
100	50	25,8	100	220/200	1,75	218	159	198	381.003
150	60	58,8	150	285/250	2,85	285	225	250	381.004
200	60	61,9	200	340/250	4,50	340	277	248	381.005

## DIMENSIONS



FILTER SIZE	LOSS OF LOAD MAX. ALLOWABLE	MAX. FLOW INLET m <sup>3</sup> /min	DN	REPLACEMENT FILTER ELEMENT	WEIGHT FILTER ELEMENT (kg)	RING		MESH (*)	CODE
						A (mm)	B (mm)		
250	60	104	250	395/ 400	11	395	315	422	381.006
300	60	157	300	450/ 600	17	450	368	625	381.007

(\*)MATERIAL'S MESH: (1) DEPLOYED ELECTROGALVANISING THICKNESS: 0,6mm ROMB 8x6mm  
 (2) DEPLOYED ELECTROGALVANISING THICKNESS: 0,8mm ROMB 6x3mm  
 (3) DEPLOYED PLASTIC ROMB 2x1mm