

THIS DOCUMENT CONTAINS PROPRIETARY INFORMATION OF REELCRAFT IND., INC. AND IT SHALL NOT BE DISCLOSED TO OTHERS OR DUPLICATED OR USED FOR OTHERS WITHOUT THE EXPRESS WRITTEN CONSENT OF REELCRAFT IND., INC.

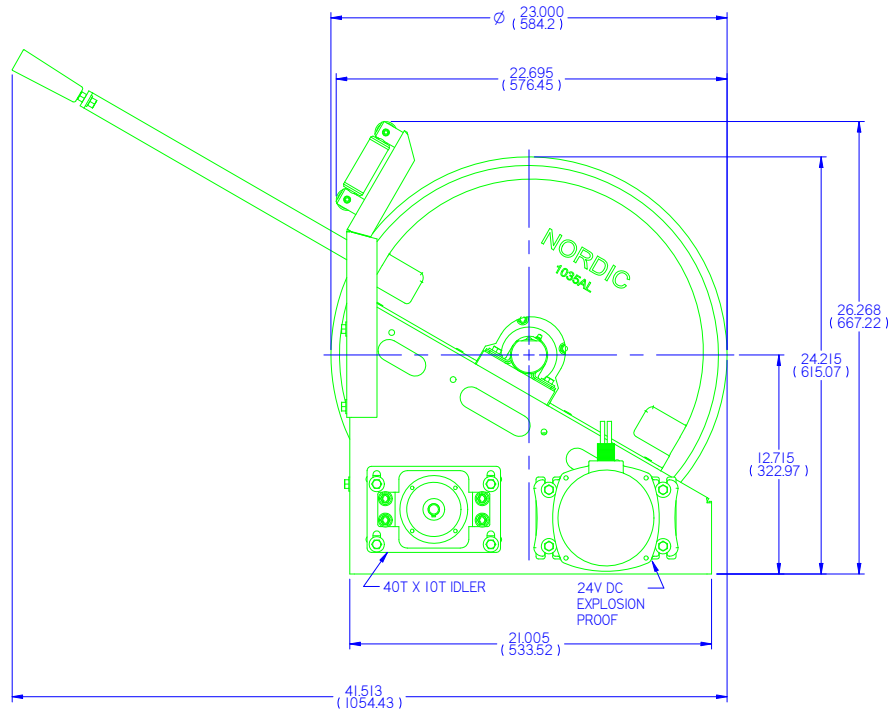
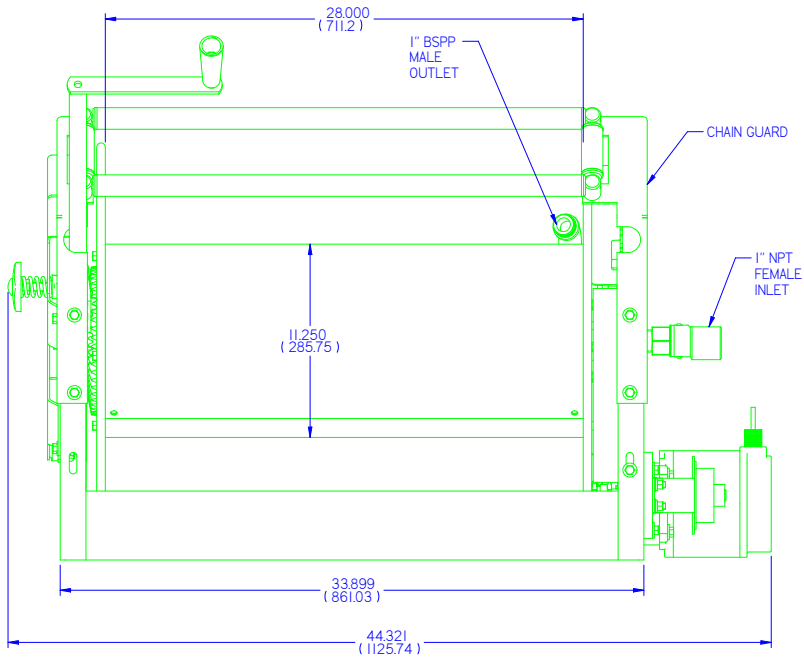
ELECTRIC REWIND HOSE REEL FOR 1" ID HOSE C/W 24 VOLT DC EXPLOSION PROOF MOTOR, 40T X 10T IDLER, CENTRIFUGAL CLUTCH, 1/2" PITCH (ANSI #40) CHAINS, AUXILIARY BEVEL GEAR & PINION CRANK REWIND ASSEMBLY, TOP WIND ROLLER GUIDE, (I) STEEL & (I) ALUMINUM CHAIN GUARD, STEEL SPOOL & FRAME CONSTRUCTION, STEEL FLUID PATH (3000 PSI), PLATED STEEL SWIVEL 1" NPT FEMALE INLET, AND 1" BSPP MALE OUTLET

LTR	DESCRIPTION	DATE	ECN #
CI	REVISED AND REDRAWN	6/19/09	1216ISUP2
DI	UPDATED CRANK HANDLE	7/28/09	1216ISUP5



NORDIC Series reelcraft.com

PO Box 248, Columbia City, IN 46725 USA
 Int'l phone: 011-260-248-8188
 Domestic toll free: 1-800-444-3134
 Int'l fax: 011-260-248-2605



DRAWN BY:	JLB	ENG APPROVAL:	ELW	MFG APPROVAL:	DRAWING NOT TO SCALE	CUSTOMER APPROVAL:
-----------	-----	---------------	-----	---------------	----------------------	--------------------

HOSE REEL KIT

DRAWING NO.	EJ2405-23-28-10FMBSPPRICKTW4Z	DATE:	5/19/09
DRAWING TITLE:	HOSE REEL KIT		