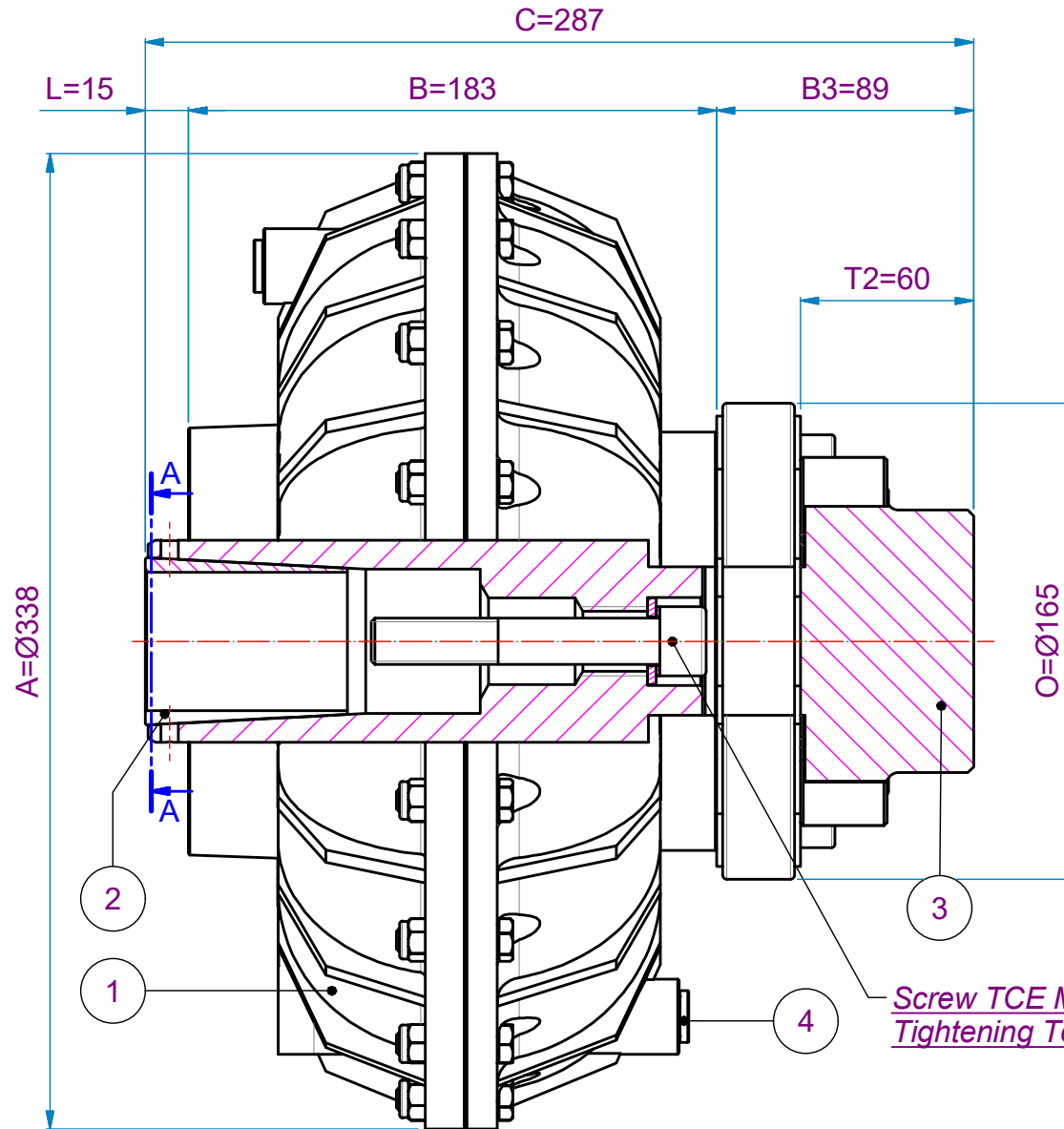
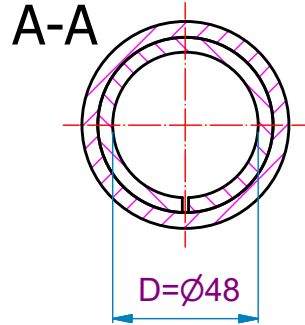
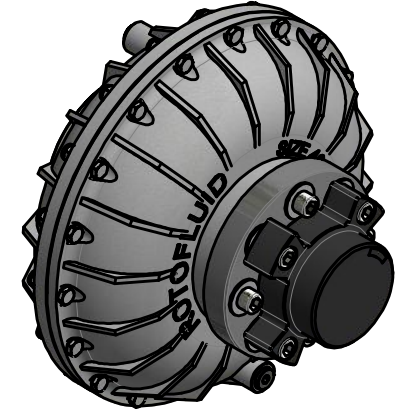
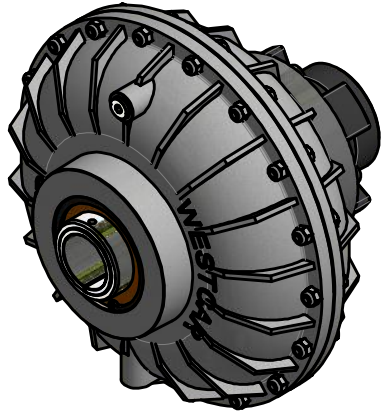


MOTOR SIDE

GEARBOX SIDE



Screw TCE M16x100
Tightening Torque 210 Nm.

ROTOFLUID COUPLING ALFA 40P K02 BC D=48 WITH ROTOFLEXI COUPLING BRV4 P=00

Weight / Peso Kg

27

Quotation / Costo



Customer / Cliente

--

Date / Data

26/06/2020

Sheet / Foglio

20-6633

Variant / Rev

00

Scale / Scala

1:3

Internal Ref. / Rif. Int.

4	1	1005M	Fusible Plug 1/4" Gas 145° Red
3	1	5308	Rotopin Coupling BRV4 P=00
2	1	23291	Taper Bush 40BC L15 D=48
1	1	23151	Rotofluid Coupling Alfa 40P K02 FC

Pos.	Q.ty	Code	Description
------	------	------	-------------